

W ■ ■ ■ HIGH PERFORMANCE PISTONS
Wossner®
RESEARCH & DEVELOPMENT

MAX
MC IMPORT



FORGED MOTORCYCLE PISTONS & PARTS



2015



**Offroad
ATV
Street**





Wir sind die innovativen Spezialisten für Hochleistungskolben und Pleuel. Wössner Produkte arbeiten in Motoren auf dem höchsten Level des Motorsports, sowie im täglichen Gebrauch – überall dort wo Leistung und Langlebigkeit sehr wichtige Faktoren sind. Dabei werden unterschiedliche Kolben für den Rennsport und für den täglichen Gebrauch produziert, um die jeweils speziellen Anforderung der Motoren optimal zu erfüllen. Der Erfolg berühmter Motorsportteams in nationalen und internationalen Wettbewerben basiert oft auf der überlegenen Leistung der Wössner Produkte.

We are the innovative specialists for high performance pistons and conrods. Our products are to be found in engines operating at the highest levels of motor sport, in competition and, of course, in everyday use – in fact, anywhere where longevity and operational noise are important factors. Wössner products are the source of the superior power behind the success of well known motor sport teams at national and international race meets.



OFFROAD

Betamotor®	4 stroke	5 - 6
Bultaco®	2 stroke	7
Can Am®	4 stroke	8
GasGas®	2 stroke	9 - 12
GasGas®	4 stroke	13 - 15
Honda®	2 stroke	16 - 27
Honda®	4 stroke	28 - 38
Husaberg®	2 stroke	39
Husaberg®	4 stroke	40 - 46
Husqvarna®	2 stroke	47 - 53
Husqvarna®	4 stroke	54 - 63
Kawasaki®	2 stroke	64 - 75
Kawasaki®	4 stroke	76 - 82
KTM®	2 stroke	83 - 95
KTM®	4 stroke	96 - 108
Maico®	2 stroke	109 - 110
Rotax®	2 stroke	111
Sherco®	2 stroke	112
Sherco®	4 stroke	113
Suzuki®	2 stroke	114 - 126
Suzuki®	4 stroke	127 - 133
TM®	2 stroke	134 - 136
TM®	4 stroke	137 - 139
VOR®	4 stroke	140
Yamaha®	2 stroke	141 - 156
Yamaha®	4 stroke	157 - 167

ATV

GasGas®	2 stroke	168
GasGas®	4 stroke	169
Honda®	2 stroke	170
Honda®	4 stroke	171 - 175
Husaberg®	4 stroke	176
Kawasaki®	2 stroke	177
Kawasaki®	4 stroke	178 - 180
Polaris®	2 stroke	181 - 182
Polaris®	4 stroke	183 - 184
Suzuki®	2 stroke	185 - 186
Suzuki®	4 stroke	187 - 188
Yamaha®	2 stroke	189 - 191
Yamaha®	4 stroke	192 - 196

STREET

Aprilia®	2 stroke	197 - 198
BMW®	4 stroke	199 - 201
Cagiva®	2 stroke	202
Ducati®	4 stroke	203 - 205
Honda®	2 stroke	206 - 207
Honda®	4 stroke	208 - 210
Kawasaki®	2 stroke	211 - 212
Kawasaki®	4 stroke	213 - 218
Sachs®	2 stroke	219
Suzuki®	2 stroke	220
Suzuki®	4 stroke	221 - 225
Yamaha®	2 stroke	226
Yamaha®	4 stroke	227 - 229

SPEEDWAY

GM®	4 stroke	230
-----	----------	-----

Pleuel • Conrods - 2 stroke	231 - 232
Pleuel • Conrods - 4 stroke	233 - 234
Nadellager • Needle Bearings	235 - 240
Kurbelwellenlager • Main Bearings	241 - 245
Ringe • Rings - 2 stroke	246 - 247
Ringe • Rings - 4 stroke	248 - 250
Bolzen • Pins	251 - 253

FGM Forging Group Monale - Italy	254 - 255
Installationshinweise • Installation Instructions	256
Bestellformulare • Order forms	257 - 258
AGB's • General Terms and Conditions	259 - 260
Gewährleistungen • Warranty Disclaimer	261

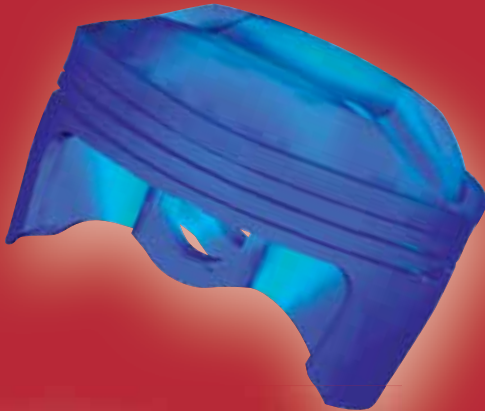
Fehler und Änderungen, sowie Preisänderungen vorbehalten. Alle Angaben zum Verdichtungsverhältnis, Domvolumen und Kolbengewicht beziehen sich nur auf unser Standardmaß DA.

Errors and changes, as well as changes in prices excepted. All information on compression ratio, dome volume and piston weight is valid for our standard size DA only.



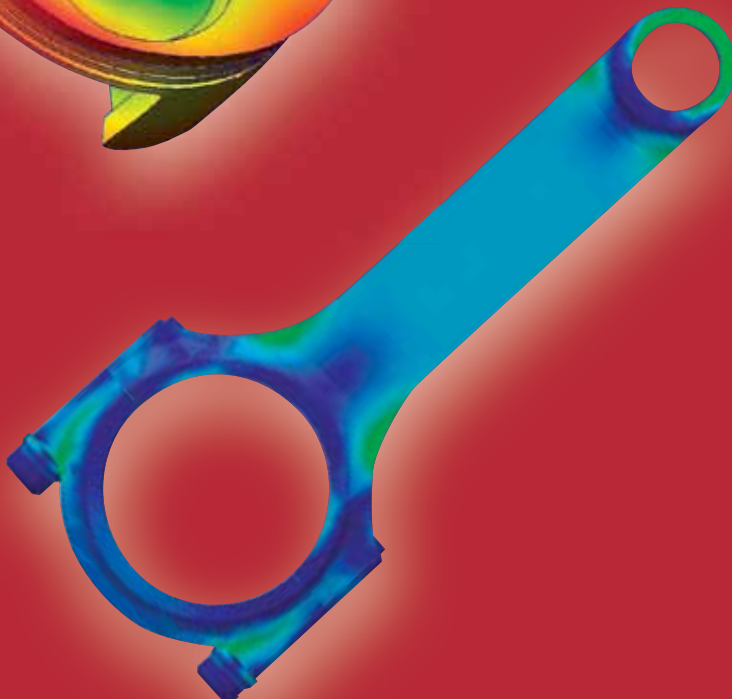
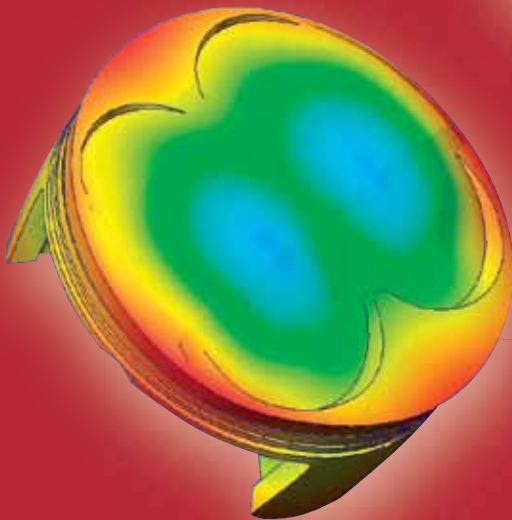
PISTONS

PERFORMANCE



Um unsere Produkte zu optimieren, werden die Auswirkungen von Druck, Bewegung und Temperatur permanent analysiert.

In order to optimise our product, it is necessary to permanently analyse the effects of pressure, motion and temperature.



BETAMOTOR - 4 stroke



Alle Angaben zum Verdichtungsverhältnis, Domvolumen und Kolbengewicht beziehen sich nur auf unser Standardmaß DA.

All information on compression ratio, dome volume and piston weight is valid for our standard size DA only.

Model	RR250 New!	RR450 New!	RR525 New!
Years	current	05-09	05-09
Displ. (cc)	249	449	510

Piston Kit Part No.	Piston size (mm)	Over size (mm)	Ring Set Part No.	Piston Kit Part No.	Piston size (mm)	Over size (mm)	Ring Set Part No.	Piston Kit Part No.	Piston size (mm)	Over size (mm)	Ring Set Part No.
8592DA	74.95	Std.	750XDS	8581DA	88.96	Std.	890XSY	8547DA	94.95	Std.	950ADS-2
8592DB	74.96	+0.01	750XDS	8581DB	88.97	+0.01	890XSY	8547DB	94.96	+0.01	950ADS-2
8592DC	74.97	+0.02	750XDS	8581DC	88.98	+0.02	890XSY	8547DC	94.97	+0.02	950ADS-2
								8547D200	96.95	+2.00	950ADS-2

	set includes		
Clip Part No.	CW20	CW20	CW20
Pin Part No.	WP029	WP038	WP073
Rings	see above	see above	see above
Price-Code	5/1	7	7/1
Stroke	56.50	72.00	72.00
Wössner/ OEM Comp. ratio	12.0:1 12.0:1	11.1:1 11.1:1	11.0:1 11.0:1
Dome Volume (CC)	-4.1 cm ³	+7.1 cm ³	-2.1 cm ³
Comp. Height (mm)	25.30	23.50	23.50

	extra parts		
Wössner Connecting rods	P4048	P4048	P4048
Needle bearing	-	-	-
Main bearing	2 x MBNJ206	2 x MBNJ206	2 x MBNJ206

BETAMOTOR - 4 stroke



Alle Angaben zum Verdichtungsverhältnis, Domvolumen und Kolbengewicht beziehen sich nur auf unser Standardmaß DA.

All information on compression ratio, dome volume and piston weight is valid for our standard size DA only.

New!

Model	RR525 Pro Series
Years	05-09
Displ. (cc)	510

Piston Kit Part No.	Piston size (mm)	Over size (mm)	Ring Set Part No.
8637DA	94.95	Std.	950ADS-2
8637DB	94.96	+0.01	950ADS-2
8637DC	94.97	+0.02	950ADS-2
8637D200	96.95	+2.00	970ADS-2
8637D400	98.95	+4.00	990XSY

set includes	
Clip Part No.	CW20
Pin Part No.	WP029
Rings	see above
Price-Code	7/1
Stroke	72.00
Wössner/ OEM Comp. ratio	12.5:1 11.0:1
Dome Volume (CC)	+4.6 cm ³
Comp. Height (mm)	23.50

extra parts	
Wössner Connecting rods	P4048
Needle bearing	-
Main bearing	2 x MBNJ206

Bultaco® - 2 stroke



New!

Model	TS250
Years	70
Displ. (cc)	244

Piston Kit Part No.	Piston size (mm)	Over size (mm)	Ring Set Part No.
8291DA	71.94	Std.	RSB7200
8291D050	72.44	+0.50	RSB7250
8291D100	72.94	+1.00	RSB7300
8291D150	73.44	+1.50	RSB7350
8291D200	73.94	+2.00	RSB7400

set includes	
Clip Part No.	CW16
Pin Part No.	WP027
Rings	see above
Price-Code	3
Stroke	60.00
Comp. Height (mm)	29.00

extra parts	
Wössner Connecting rods	-
Needle bearing	-
Main bearing	-



Pavel Kejmar Deutscher Meister 2012 in der S1
Internationale Deutsche Supermoto Meisterschaft 2012
Team Bauerschmidt KTM

Can-Am - 4 stroke



Alle Angaben zum Verdichtungsverhältnis, Domvolumen und Kolbengewicht beziehen sich nur auf unser Standardmaß DA.

All information on compression ratio, dome volume and piston weight is valid for our standard size DA only.

Model	DS450 / DS450X Pro Series
Years	08-12
Displ. (cc)	449

Piston Kit Part No.	Piston size (mm)	Over size (mm)	Ring Set Part No.
8864DA	96.95	Std.	970ADS-2

set includes	
Clip Part No.	CW20
Pin Part No.	WP073
Rings	see above
Price-Code	7
Stroke	60.80
Wössner/ OEM Comp. ratio	13.5:1 12.5:1
Dome Volume (cc)	-0.5 cm ³
Comp. Height (mm)	26.80

extra parts	
Wössner Connecting rods	-
Needle bearing	-
Main bearing	-

GasGas® - 2 stroke



Model	MC125 flat top	EC125 domed	TXT125
Years	00-11	00-11	03-09
Displ. (cc)	124	124	124

Piston Kit Part No.	Piston size (mm)	Over size (mm)	Ring Set Part No.	Piston Kit Part No.	Piston size (mm)	Over size (mm)	Ring Set Part No.	Piston Kit Part No.	Piston size (mm)	Over size (mm)	Ring Set Part No.
8080DA	53.95	Std.	RSB5400	8079DA	53.95	Std.	RSB5400	8218DA	53.95	Std.	RDB5400
8080DB	53.96	+0.01	RSB5400	8079DB	53.96	+0.01	RSB5400	8218DB	53.96	+0.01	RDB5400
8080DC	53.97	+0.02	RSB5400	8079DC	53.97	+0.02	RSB5400	8218DC	53.97	+0.02	RDB5400

	set includes		
Clip Part No.	CW15	CW15	CW16
Pin Part No.	WP032	WP032	WP036
Rings	see above	see above	see above
Price-Code	2	2	2
Stroke	54.50	54.50	54.50
Comp. Height (mm)	28.00	28.00	29.50

	extra parts		
Wössner Connecting rods	-	-	-
Needle bearing	N1011	N1011	-
Main bearing	2 x MB6322C4	2 x MB6322C4	-

GasGas® - 2 stroke



Model	EC200	TXT200	MC250 / EC250
Years	03-09	99-06	97-11
Displ. (cc)	199	175	249

Piston Kit Part No.	Piston size (mm)	Over size (mm)	Ring Set Part No.	Piston Kit Part No.	Piston size (mm)	Over size (mm)	Ring Set Part No.	Piston Kit Part No.	Piston size (mm)	Over size (mm)	Ring Set Part No.
8139DA	62.45	Std.	RDB6250	8132DA	63.95	Std.	RDB6400	8052DA	66.33	Std.	RDB6640
8139DB	62.46	+0.01	RDB6250	8132DB	63.96	+0.01	RDB6400	8052DB	66.34	+0.01	RDB6640
8139DC	62.47	+0.02	RDB6250	8132DC	63.97	+0.02	RDB6400	8052DC	66.35	+0.02	RDB6640
								8052DD	66.36	+0.03	RDB6640

	set includes		
Clip Part No.	CW18	CW16	CW18
Pin Part No.	WP040	WP027	WP033
Rings	see above	see above	see above
Price-Code	3	3/1	3
Stroke	65.00	54.50	72.00
Comp. Height (mm)	32.00	30.00	38.00

	extra parts		
Wössner Connecting rods	-	-	P2021 '97-current
Needle bearing	N1020	-	N1021
Main bearing	-	-	-

GasGas® - 2 stroke



Model	TXT250	TXT280 / MT280	EC300
Years	02-current	all	00-current
Displ. (cc)	247	272	297

Piston Kit Part No.	Piston size (mm)	Over size (mm)	Ring Set Part No.	Piston Kit Part No.	Piston size (mm)	Over size (mm)	Ring Set Part No.	Piston Kit Part No.	Piston size (mm)	Over size (mm)	Ring Set Part No.
8163DA	72.46	Std.	RDB7250	8144DA	76.00	Std.	RDC7600	8077DA	71.93	Std.	RDB7200
8163DB	72.47	+0.01	RDB7250	8144DB	76.01	+0.01	RDC7600	8077DB	71.94	+0.01	RDB7200
8163DC	72.48	+0.02	RDB7250	8144DC	76.02	+0.02	RDC7600	8077DC	71.95	+0.02	RDB7200

	set includes		
Clip Part No.	CA18	CA18	CW18
Pin Part No.	WP033	WP033	WP033
Rings	see above	see above	see above
Price-Code	3/1	6	6
Stroke	60.00	60.00	72.50
Comp. Height (mm)	28.75	28.75	38.00

	extra parts		
Wössner Connecting rods	-	-	P2021
Needle bearing	-	-	N1021
Main bearing	-	-	-

GasGas® - 2 stroke



Model	TXT300
Years	all
Displ. (cc)	294

Piston Kit Part No.	Piston size (mm)	Over size (mm)	Ring Set Part No.
8145DA	78.96	Std.	RDC7900
8145DB	78.97	+0.01	RDC7900
8145DC	78.98	+0.02	RDC7900

	set includes
Clip Part No.	CA18
Pin Part No.	WP033
Rings	see above
Price-Code	6/1
Stroke	60.00
Comp. Height (mm)	28.75

	extra parts
Wössner Connecting rods	-
Needle bearing	-
Main bearing	-



GasGas® - 4 stroke



Alle Angaben zum Verdichtungsverhältnis, Domvolumen und Kolbengewicht beziehen sich nur auf unser Standardmaß DA.

All information on compression ratio, dome volume and piston weight is valid for our standard size DA only.

New!

Model	EC250F Std-Compr. 3.Ring	EC250F Pro Serie 2.Ring	EC300F
Years	10-current	10-current	13-current
Displ. (cc)	249	249	290

Piston Kit Part No.	Piston size (mm)	Over size (mm)	Ring Set Part No.	Piston Kit Part No.	Piston size (mm)	Over size (mm)	Ring Set Part No.	Piston Kit Part No.	Piston size (mm)	Over size (mm)	Ring Set Part No.
8614DA	76.96	Std.	770XAS-3	8612DA	76.96	Std.	770XAS-2	8875DA	82.94	Std.	830XDS
8614DB	76.97	+0.01	770XAS-3	8612DB	76.97	+0.01	770XAS-2	8875DB	82.95	+0.01	830XDS
8614DC	76.98	+0.02	770XAS-3	8612DC	76.98	+0.02	770XAS-2	8875DC	82.96	+0.02	830XDS
8614D200	78.96	+2.00	790XMS								

	set includes		
Clip Part No.	CW16	CW16	CW16
Pin Part No.	WP070	WP059	WP059
Rings	see above	see above	see above
Price-Code	5	5/1	7
Stroke	53.60	53.60	53.60
Wössner/ OEM Comp. ratio	12.5:1 12.5:1	13.5:1 13.5:1	13.5:1 13.5:1
Dome Volume (CC)	-4.5 cm ³	-2.8 cm ³	-6.3 cm ³
Comp. Height (mm)	22.20	22.20	22.20

	extra parts		
Wössner Connecting rods	P4005 `10-current	P4005 `10-current	-
Needle bearing	-	-	-
Main bearing	-	-	-

GasGas® - 4 stroke



Alle Angaben zum Verdichtungsverhältnis, Domvolumen und Kolbengewicht beziehen sich nur auf unser Standardmaß DA.

All information on compression ratio, dome volume and piston weight is valid for our standard size DA only.

Model	HP450 / EC450 / FSE450	HP450 / EC450 / FES450	HP450 / EC450 / FES450
Years	03-04	05	06-09
Displ. (cc)	443	443	449

Piston Kit Part No.	Piston size (mm)	Over size (mm)	Ring Set Part No.	Piston Kit Part No.	Piston size (mm)	Over size (mm)	Ring Set Part No.	Piston Kit Part No.	Piston size (mm)	Over size (mm)	Ring Set Part No.
8585DA	94.95	Std.	950XSY	8615DA	94.95	Std.	950ADS-2	8638DA	96.95	Std.	970ADS-2
8585DB	94.96	+0.01	950XSY	8615DB	94.96	+0.01	950ADS-2	8638DB	96.96	+0.01	970ADS-2
8585DC	94.97	+0.02	950XSY	8615DC	94.97	+0.02	950ADS-2	8638DC	96.97	+0.02	970ADS-2

	set includes		
Clip Part No.	CW20	CW20	CW20
Pin Part No.	WP038	WP038	WP038
Rings	see above	see above	see above
Price-Code	7/1	7/1	7
Stroke	62.60	62.60	60.80
Wössner/ OEM Comp. ratio	OEM -	OEM -	OEM -
Dome Volume (CC)	-6.4 cm ³	-6.4 cm ³	-2.8 cm ³
Comp. Height (mm)	25.50	25.50	25.50

	extra parts		
Wössner Connecting rods	-	-	-
Needle bearing	-	-	-
Main bearing	-	-	-

GasGas® - 4 stroke



Alle Angaben zum Verdichtungsverhältnis, Domvolumen und Kolbengewicht beziehen sich nur auf unser Standardmaß DA.

All information on compression ratio, dome volume and piston weight is valid for our standard size DA only.

Model	EC450F New!	EC450F Pro Series New!	SM450
Years	13-current	13-current	07-09
Displ. (cc)	449	449	449

Piston Kit Part No.	Piston size (mm)	Over size (mm)	Ring Set Part No.	Piston Kit Part No.	Piston size (mm)	Over size (mm)	Ring Set Part No.	Piston Kit Part No.	Piston size (mm)	Over size (mm)	Ring Set Part No.
8630DA	94.96	Std.	950ADS-2	8631DA	94.96	Std.	950ADS-2	8638DA	96.95	Std.	970ADS-2
8630DB	94.97	+0.01	950ADS-2	8631DB	94.97	+0.01	950ADS-2	8638DB	96.96	+0.01	970ADS-2
8630DC	94.98	+0.02	950ADS-2	8631DC	94.98	+0.02	950ADS-2	8638DC	96.97	+0.02	970ADS-2

	set includes		
Clip Part No.	CW18	CW18	CW20
Pin Part No.	WP053	WP053	WP038
Rings	see above	see above	see above
Price-Code	7	7	7
Stroke	63.40	63.40	60.80
Wössner/ OEM Comp. ratio	12.3:1 12.3:1	13.5:1 12.3:1	OEM -
Dome Volume (CC)	-9.7 cm ³	-6.1 cm ³	-2.8 cm ³
Comp. Height (mm)	23.50	23.50	25.50

	extra parts		
Wössner Connecting rods	P4008	P4008	-
Needle bearing	-	-	-
Main bearing	2 x MB83C072C	2 x MB83C072C	-

Honda® - 2 stroke



Model	CR80	CR80 U.S Bore	CR80 International Bore
Years	86-91	92-02	86-02
Displ. (cc)	80	80	80

Piston Kit Part No.	Piston size (mm)	Over size (mm)	Ring Set Part No.	Piston Kit Part No.	Piston size (mm)	Over size (mm)	Ring Set Part No.	Piston Kit Part No.	Piston size (mm)	Over size (mm)	Ring Set Part No.
8238DA	46.95	Std.	RSB4700	8237DA	46.95	Std.	RSB4700	8230DA	45.95	Std.	RSB4600
8238D050	47.45	+0.50	RSB4750	8237D050	47.45	+0.50	RSB4750	8230DB	45.96	+0.01	RSB4600
8238D100	47.95	+1.00	RSB4800	8237D100	47.95	+1.00	RSB4800	8230DC	45.97	+0.02	RSB4600
8238D200	48.95	+2.00	RSB4900	8237D200	48.95	+2.00	RSB4900				

	set includes		
Clip Part No.	CW14	CW14	CW14
Pin Part No.	WP058	WP058	WP058
Rings	see above	see above	see above
Price-Code	1/1	1/1	1/1
Stroke	47.80	47.80	47.80
Comp. Height (mm)	24.00	24.00	24.00

	extra parts		
Wössner Connecting rods	P2003	P2003	P2003
Needle bearing	N1006	N1006	N1006
Main bearing	2 x MB6322C4	-	-

Honda® - 2 stroke



Model	CR80R	CR80R	CR80R
Years	80-82	83	84
Displ. (cc)	79	79	79

Piston Kit Part No.	Piston size (mm)	Over size (mm)	Ring Set Part No.	Piston Kit Part No.	Piston size (mm)	Over size (mm)	Ring Set Part No.	Piston Kit Part No.	Piston size (mm)	Over size (mm)	Ring Set Part No.
8277DA	49.45	Std.	RDB4950	8278DA	49.45	Std.	RDB4950	8279DA	49.45	Std.	RDB4950
8277D050	49.95	+0.50	RDB5000	8278D050	49.95	+0.50	RDB5000	8279D050	49.95	+0.50	RDB5000
8277D100	50.45	+1.00	RDB5050	8278D100	50.45	+1.00	RDB5050	8279D100	50.45	+1.00	RDB5050
8277D150	50.95	+1.50	RDB5100	8278D150	50.95	+1.50	RDB5100	8279D150	50.95	+1.50	RDB5100
8277D200	51.45	+2.00	RDB5150	8278D200	51.45	+2.00	RDB5150	8279D200	51.45	+2.00	RDB5150

	set includes		
Clip Part No.	CW12	CW12	CW12
Pin Part No.	WP091	WP091	WP091
Rings	see above	see above	see above
Price-Code	1/1	1/1	1/1
Stroke	41.40	41.40	41.40
Comp. Height (mm)	27.00	25.00	25.00

	extra parts		
Wössner Connecting rods	-	-	-
Needle bearing	N1004	N1004	N1004
Main bearing	-	-	-

Honda® - 2 stroke



Model	CR80R	CR85	CR125 / MT125
Years	85	03-07	73-78
Displ. (cc)	82	84	123

Piston Kit Part No.	Piston size (mm)	Over size (mm)	Ring Set Part No.	Piston Kit Part No.	Piston size (mm)	Over size (mm)	Ring Set Part No.	Piston Kit Part No.	Piston size (mm)	Over size (mm)	Ring Set Part No.
8280DA	46.95	Std.	RDB4700	8105DA	47.45	Std.	RSB4750	8151DA	55.94	Std.	RDB5600
8280D050	47.45	+0.50	RDB4750	8105DB	47.46	+0.01	RSB4750	8151D050	56.44	+0.50	RDB5650
8280D100	47.95	+1.00	RDB4800	8105DC	47.47	+0.02	RSB4750	8151D100	56.94	+1.00	RDB5700
8280D150	48.45	+1.50	RDB4850					8151D150	57.44	+1.50	RDB5750
8280D200	48.95	+2.00	RDB4900					8151D200	57.94	+2.00	RDB5800

	set includes		
Clip Part No.	CW13	CW14	CW14
Pin Part No.	WP088	WP058	WP025
Rings	see above	see above	see above
Price-Code	1/1	1	2/1
Stroke	47.80	47.80	50.00
Comp. Height (mm)	25.00	24.00	28.80

	extra parts		
Wössner Connecting rods	-	P2003	-
Needle bearing	N1004	N1006	N1008
Main bearing	-	2 x MB6322C4	-

Honda® - 2 stroke



Model	CR125	CR125	CR125
Years	79	80-84	85-86
Displ. (cc)	123	120	124

Piston Kit Part No.	Piston size (mm)	Over size (mm)	Ring Set Part No.	Piston Kit Part No.	Piston size (mm)	Over size (mm)	Ring Set Part No.	Piston Kit Part No.	Piston size (mm)	Over size (mm)	Ring Set Part No.
8150DA	55.94	Std.	RDB5600	8149DA	55.44	Std.	RDB5550	8127DA	53.94	Std.	RDB5400
8150D050	56.44	+0.50	RDB5650	8149D050	55.94	+0.50	RDB5600	8127D025	54.19	+0.25	RDB5425
8150D100	56.94	+1.00	RDB5700	8149D100	56.44	+1.00	RDB5650	8127D050	54.44	+0.50	RDB5450
8150D150	57.44	+1.50	RDB5750	8149D125	56.69	+1.25	RDB5675	8127D075	54.69	+0.75	RDB5475
				8149D150	56.94	+1.50	RDB5700	8127D100	54.94	+1.00	RDB5500
				8149D200	57.44	+2.00	RDB5750	8127D125	55.19	+1.25	RDB5525
								8127D150	55.44	+1.50	RDB5550
								8127D200	55.94	+2.00	RDB5600

set includes			
Clip Part No.	CW14	CW14	CW14
Pin Part No.	WP025	WP025	WP025
Rings	see above	see above	see above
Price-Code	2/1	2/1	2/1
Stroke	50.00	50.00	54.00
Comp. Height (mm)	28.50	28.50	28.00

extra parts			
Wössner Connecting rods	-	P2040 '83-84	P2041
Needle bearing	N1008	N1008	N1007
Main bearing	2 x MB6304C3	2 x MB6322C4	2 x MB6322C4

Honda® - 2 stroke



Model	CR125	CR125	CR125
Years	87	88-89	90-91
Displ. (cc)	124	125	125

Piston Kit Part No.	Piston size (mm)	Over size (mm)	Ring Set Part No.	Piston Kit Part No.	Piston size (mm)	Over size (mm)	Ring Set Part No.	Piston Kit Part No.	Piston size (mm)	Over size (mm)	Ring Set Part No.
8126DA	53.94	Std.	RSB5400	8125DA	53.94	Std.	RSB5400	8107DA	53.94	Std.	RSB5400
8126D050	54.44	+0.50	RSB5450	8125D050	54.44	+0.50	RSB5450	8107DB	53.95	+0.01	RSB5400
8126D100	54.94	+1.00	RSB5500	8125D100	54.94	+1.00	RSB5500	8107DC	53.96	+0.02	RSB5400
8126D125	55.19	+1.25	RSB5525	8125D125	55.19	+1.25	RSB5525	8107D050	54.44	+0.50	RSB5450
8126D150	55.44	+1.50	RSB5550	8125D150	55.44	+1.50	RSB5550	8107D100	54.94	+1.00	RSB5500
8126D200	55.94	+2.00	RSB5600	8125D200	55.94	+2.00	RSB5600				

set includes			
Clip Part No.	CW14	CW15	CW15
Pin Part No.	WP025	WP032	WP032
Rings	see above	see above	see above
Price-Code	2/1	2/1	2
Stroke	54.00	54.50	54.50
Comp. Height (mm)	28.00	28.00	28.00

extra parts			
Wössner Connecting rods	P2041	P2009	P2009
Needle bearing	N1008	N1047	N1047
Main bearing	2 x MB6322C4	2 x MB6322C4	2 x MB6322C4

Honda® - 2 stroke



Model	CR125	CR125	CR125
Years	92-99	00-03	04
Displ. (cc)	125	125	125

Piston Kit Part No.	Piston size (mm)	Over size (mm)	Ring Set Part No.	Piston Kit Part No.	Piston size (mm)	Over size (mm)	Ring Set Part No.	Piston Kit Part No.	Piston size (mm)	Over size (mm)	Ring Set Part No.
8020DA	53.95	Std.	RSB5400	8067DA	53.95	Std.	RSB5400	8100DA	53.95	Std.	RSB5400
8020DB	53.96	+0.01	RSB5400	8067DB	53.96	+0.01	RSB5400	8100DB	53.96	+0.01	RSB5400
8020DC	53.97	+0.02	RSB5400	8067DC	53.97	+0.02	RSB5400	8100DC	53.97	+0.02	RSB5400
8020DD	53.98	+0.03	RSB5400	8067D050	54.45	+0.50	RSB5450	8100D200	55.95	+2.00	RSB5600
8020D050	54.45	+0.50	RSB5450	8067D100	54.95	+1.00	RSB5500	8100D300	56.95	+3.00	RSB5700
8020D100	54.95	+1.00	RSB5500	8067D200	55.95	+2.00	RSB5600				
8020D200	55.95	+2.00	RSB5600	8067D300	56.95	+3.00	RSB5700				

set includes			
Clip Part No.	CW15	CW15	CW15
Pin Part No.	WP032	WP032	WP032
Rings	see above	see above	see above
Price-Code	2	2	2/1
Stroke	54.50	54.50	54.50
Comp. Height (mm)	28.00	28.00	28.00

extra parts			
Wössner Connecting rods	P2009	P2009	P2009
Needle bearing	N1047	N1047	N1047
Main bearing	2 x MB6322C4	2 x MB6322C4	2 x MB6322C4

Honda® - 2 stroke



Model	CR125	MBX125 / MTX125	MTX125 Rally
Years	05-07	83-87	88-90
Displ. (cc)	125	124	124

Piston Kit Part No.	Piston size (mm)	Over size (mm)	Ring Set Part No.	Piston Kit Part No.	Piston size (mm)	Over size (mm)	Ring Set Part No.	Piston Kit Part No.	Piston size (mm)	Over size (mm)	Ring Set Part No.
8170DA	53.95	Std.	RSB5400	8024DA	55.94	Std.	RDB5600	8190DA	55.96	Std.	RDB5600
8170DB	53.96	+0.01	RSB5400	8024D050	56.44	+0.50	RDB5650	8190DB	55.97	+0.01	RDB5600
8170DC	53.97	+0.02	RSB5400	8024D100	56.94	+1.00	RDB5700	8190DC	55.98	+0.02	RDB5600
8170D200	55.95	+2.00	RSB5600	8024D150	57.44	+1.50	RDB5750	8190DD	55.99	+0.03	RDB5600
8170D400	57.95	+4.00	RSB5800								

	set includes		
Clip Part No.	CW15	CW16	CW16
Pin Part No.	WP032	WP036	WP036
Rings	see above	see above	see above
Price-Code	2	2	2/1
Stroke	54.50	50.60	50.60
Comp. Height (mm)	28.00	30.40	30.60

	extra parts		
Wössner Connecting rods	P2009	-	-
Needle bearing	N1047	-	-
Main bearing	2 x MB6322C4	-	-

Honda® - 2 stroke



Model	NSR125 / CRM125 R	CR250 / MR250 / MT250	CR250 / MR250 / MT250
Years	91-03	73-74	75-77
Displ. (cc)	124	248	248

Piston Kit Part No.	Piston size (mm)	Over size (mm)	Ring Set Part No.	Piston Kit Part No.	Piston size (mm)	Over size (mm)	Ring Set Part No.	Piston Kit Part No.	Piston size (mm)	Over size (mm)	Ring Set Part No.
8019DA	53.94	Std.	RDB5400	8152DA	69.94	Std.	RDB7000	8153DA	69.94	Std.	RDB7000
8019DB	53.95	+0.01	RDB5400	8152D050	70.44	+0.50	RDB7050	8153D050	70.44	+0.50	RDB7050
8019DC	53.96	+0.02	RDB5400	8152D100	70.94	+1.00	RDB7100	8153D100	70.94	+1.00	RDB7100
8019D050	54.44	+0.50	RDB5450	8152D150	71.44	+1.50	RDB7150	8153D150	71.44	+1.50	RDB7150
8019D100	54.94	+1.00	RDB5500	8152D200	71.94	+2.00	RDB7200	8153D200	71.94	+2.00	RDB7200

	set includes		
Clip Part No.	CW16	CW18	CW18
Pin Part No.	WP036	WP033	WP033
Rings	see above	see above	see above
Price-Code	2	3/1	3/1
Stroke	54.50	64.40	64.40
Comp. Height (mm)	30.00	32.00	32.00

	extra parts		
Wössner Connecting rods	-	-	-
Needle bearing	-	N1021	N1021
Main bearing	-	-	-

Honda® - 2 stroke



Model	CR250R	CR250R	CR250R / ATAC250
Years	78-80	81-83	84-85
Displ. (cc)	248	246	246

Piston Kit Part No.	Piston size (mm)	Over size (mm)	Ring Set Part No.	Piston Kit Part No.	Piston size (mm)	Over size (mm)	Ring Set Part No.	Piston Kit Part No.	Piston size (mm)	Over size (mm)	Ring Set Part No.
8154DA	69.94	Std.	RDB7000	8155DA	65.94	Std.	RDB6600	8156DA	65.94	Std.	RDB6600
8154D050	70.44	+0.50	RDB7050	8155D050	66.44	+0.50	RDB6650	8156D025	66.19	+0.25	RDB6625
8154D100	70.94	+1.00	RDB7100	8155D100	66.94	+1.00	RDB6700	8156D050	66.44	+0.50	RDB6650
8154D150	71.44	+1.50	RDB7150	8155D150	67.44	+1.50	RDB6750	8156D075	66.69	+0.75	RDB6675
8154D200	71.94	+2.00	RDB7200	8155D200	67.94	+2.00	RDB6800	8156D100	66.94	+1.00	RDB6700
								8156D125	67.19	+1.25	RDB6725
								8156D150	67.44	+1.50	RDB6750
								8156D200	67.94	+2.00	RDB6800
								8156D250	68.44	+2.50	RDB6850
								8156D300	68.94	+3.00	RDB6900
								8156D350	69.44	+3.50	RDB6950

	set includes		
Clip Part No.	CW18	CW18	CW18
Pin Part No.	WP033	WP033	WP033
Rings	see above	see above	see above
Price-Code	3/1	3/1	3/1
Stroke	64.40	72.00	72.00
Comp. Height (mm)	32.50	41.20	38.00

	extra parts		
Wössner Connecting rods	P2012	P2012	P2021
Needle bearing	N1021	N1021	N1021
Main bearing	2 x MB6328C3	2 x MB6328C3	2 x MB6328C3

Honda® - 2 stroke



Model	CR250R	CR250R	CR250R Single Ring
Years	86-96	97-01	97-01
Displ. (cc)	249	249	249

Piston Kit Part No.	Piston size (mm)	Over size (mm)	Ring Set Part No.	Piston Kit Part No.	Piston size (mm)	Over size (mm)	Ring Set Part No.	Piston Kit Part No.	Piston size (mm)	Over size (mm)	Ring Set Part No.
8021DA	66.34	Std.	RDB6640	8001DA	66.34	Std.	RDB6640	8161DA	66.34	Std.	RSB6640
8021DB	66.35	+0.01	RDB6640	8001DB	66.35	+0.01	RDB6640	8161DB	66.35	+0.01	RSB6640
8021DC	66.36	+0.02	RDB6640	8001DC	66.36	+0.02	RDB6640	8161DC	66.36	+0.02	RSB6640
8021D060	66.94	+0.60	RDB6700	8001D060	66.94	+0.60	RDB6700	8161D060	66.94	+0.60	RSB6700
8021D110	67.44	+1.10	RDB6750	8001D110	67.44	+1.10	RDB6750	8161D110	67.44	+1.10	RSB6750
8021D160	67.94	+1.60	RDB6800	8001D160	67.94	+1.60	RDB6800	8161D160	67.94	+1.60	RSB6800
8021D210	68.44	+2.10	RDB6850	8001D210	68.44	+2.10	RDB6850	8161D210	68.44	+2.10	RSB6850

	set includes		
Clip Part No.	CW18	CW18	CW18
Pin Part No.	WP033	WP033	WP033
Rings	see above	see above	see above
Price-Code	3	3	3/1
Stroke	72.00	72.00	72.00
Comp. Height (mm)	38.00	38.00	38.00

	extra parts		
Wössner Connecting rods	P2021	P2021	P2021
Needle bearing	N1021	N1021	N1021
Main bearing	2 x MB6328C3	2 x MB6328C3 `97-99 2 x MB6328C4 `00-07	2 x MB6328C3 `97-99 2 x MB6328C4 `00-07

Honda® - 2 stroke



Model	CR250R	CR250R Single Ring	CR250R
Years	02-04	02-04	05-07
Displ. (cc)	249	249	249

Piston Kit Part No.	Piston size (mm)	Over size (mm)	Ring Set Part No.	Piston Kit Part No.	Piston size (mm)	Over size (mm)	Ring Set Part No.	Piston Kit Part No.	Piston size (mm)	Over size (mm)	Ring Set Part No.
8066DA	66.34	Std.	RDB6640	8164DA	66.34	Std.	RSB6640	8171DA	66.34	Std.	RDB6640
8066DB	66.35	+0.01	RDB6640	8164DB	66.35	+0.01	RSB6640	8171DB	66.35	+0.01	RDB6640
8066DC	66.36	+0.02	RDB6640	8164DC	66.36	+0.02	RSB6640	8171DC	66.36	+0.02	RDB6640
8066D060	66.94	+0.60	RDB6700	8164DD	66.37	+0.03	RSB6640	8171D060	66.94	+0.60	RDB6700
8066D110	67.44	+1.10	RDB6750					8171D110	67.44	+1.10	RDB6750
8066D160	67.94	+1.60	RDB6800					8171D210	68.44	+2.10	RDB6850
8066D210	68.44	+2.10	RDB6850								

	set includes		
Clip Part No.	CW18	CW18	CW18
Pin Part No.	WP033	WP033	WP033
Rings	see above	see above	see above
Price-Code	3	3/1	3
Stroke	72.00	72.00	72.00
Comp. Height (mm)	38.00	38.00	38.00

	extra parts		
Wössner Connecting rods	P2020	P2020	P2020
Needle bearing	N1021	N1021	N1021
Main bearing	2 x MB6328C4	2 x MB6328C4	2 x MB6328C4

Honda® - 2 stroke



Model	CR250R - Single Ring	CRM250	CR500
Years	05-07	all	84-89
Displ. (cc)	249	249	500

Piston Kit Part No.	Piston size (mm)	Over size (mm)	Ring Set Part No.	Piston Kit Part No.	Piston size (mm)	Over size (mm)	Ring Set Part No.	Piston Kit Part No.	Piston size (mm)	Over size (mm)	Ring Set Part No.
8172DA	66.34	Std.	RSB6640	8071DA	65.93	Std.	RDB6600	8229DA	88.92	Std.	RSC8900
8172DB	66.35	+0.01	RSB6640	8071DB	65.94	+0.01	RDB6600	8229D050	89.42	+0.50	RSC8950
8172DC	66.36	+0.02	RSB6640	8071DC	65.95	+0.02	RDB6600	8229D100	89.92	+1.00	RSC9000
8172D210	68.44	+2.10	RSB6850	8071D040	66.33	+0,40	RDB6640	8229D150	90.42	+1.50	RSC9050
				8071D050	66.43	+0.50	RDB6650	8229D200	90.92	+2.00	RSC9100
				8071D100	66.93	+1.00	RDB6700				
				8071D150	67.43	+1.50	RDB6750				
				8071D200	67.93	+2.00	RDB6800				

	set includes		
Clip Part No.	CW18	CW19	CW20
Pin Part No.	WP033	WP044	WP086
Rings	see above	see above	see above
Price-Code	3/1	3	6/1
Stroke	72.00	72.00	79.00
Comp. Height (mm)	38.00	33.00	40.00

	extra parts		
Wössner Connecting rods	P2020	-	P2044 `87-01
Needle bearing	N1021	-	N1030
Main bearing	2 x MB6328C4	-	2 x MB6328C4

Honda® - 4 stroke



Alle Angaben zum Verdichtungsverhältnis, Domvolumen und Kolbengewicht beziehen sich nur auf unser Standardmaß DA.

All information on compression ratio, dome volume and piston weight is valid for our standard size DA only.

Model	CRF150R Pro Series	CRF150	CRF150 Pro Series
Years	07-09	12-current	12-current
Displ. (cc)	149	149	149

Piston Kit Part No.	Piston size (mm)	Over size (mm)	Ring Set Part No.	Piston Kit Part No.	Piston size (mm)	Over size (mm)	Ring Set Part No.	Piston Kit Part No.	Piston size (mm)	Over size (mm)	Ring Set Part No.
DA - D200 WP058				8861DA	65.95	Std.	660XKS	8862DA	65.95	Std.	660XKS
8662DA	65.95	Std.	660XKS	8861DB	65.96	+0.01	660XKS	8862DB	65.96	+0.01	660XKS
8662DB	65.96	+0.01	660XKS	8861DC	65.97	+0.02	660XKS	8862DC	65.97	+0.02	660XKS
8662DC	65.97	+0.02	660XKS								
8662D200	67.95	+2.00	680XKS								
D400 WP025											
8662D400	69.95	+4.00	700XDS								

	set includes		
Clip Part No.	CW14	CW14	CW14
Pin Part No.	WP058 / WP025	WP058	WP058
Rings	see above	see above	see above
Price-Code	4	4	4
Stroke	43.70	43.80	43.80
Wössner/ OEM Comp. ratio	12.5:1 11.7:1	11.7:1 11.7:1	12.2 :1 11.7:1
Dome Volume (CC)	-1.8 cm ³	-1.4 cm ³	-0.8 cm ³
Comp. Height (mm)	20.60	20.60	20.60

	extra parts		
Wössner Connecting rods	P4024 `07-current	P4024 `07-current	P4024 `07-current
Needle bearing	-	-	-
Main bearing	-	-	-

Honda® - 4 stroke



Alle Angaben zum Verdichtungsverhältnis, Domvolumen und Kolbengewicht beziehen sich nur auf unser Standardmaß DA.

All information on compression ratio, dome volume and piston weight is valid for our standard size DA only.

Model	CRF 230F	CRF250 / CRF250X	CRF250 / CRF250X Pro Series
Years	03-09 / 12-current	04-05	04-09
Displ. (cc)	230	249	249

Piston Kit Part No.	Piston size (mm)	Over size (mm)	Ring Set Part No.	Piston Kit Part No.	Piston size (mm)	Over size (mm)	Ring Set Part No.	Piston Kit Part No.	Piston size (mm)	Over size (mm)	Ring Set Part No.
8774DA	65.46	Std.	655XKS	8587DA	77.95	Std.	780XAS-2	8590DA	77.96	Std.	780XAS
8774D050	65.96	+0.50	660XKS	8587DB	77.96	+0.01	780XAS-2	8590DB	77.97	+0.01	780XAS
8774D100	66.46	+1.00	665XKS	8587DC	77.97	+0.02	780XAS-2	8590DC	77.98	+0.02	780XAS
8774D150	66.96	+1.50	670XKS	8587D400	81.95	+4.00	820XSY-3				
8774D200	67.46	+2.00	675XKS								

	set includes		
Clip Part No.	CW15	CW16	CW16
Pin Part No.	WP011	WP070	WP059
Rings	see above	see above	see above
Price-Code	4	5	5
Stroke	66.20	52.20	52.20
Wössner/ OEM Comp. ratio	11.0:1 9.0:1	12.9:1 12.9:1	13.9:1 12.9:1
Dome Volume (CC)	+3.1 cm ³	-1.0 cm ³	+0.0 cm ³
Comp. Height (mm)	21.20	18.90	19.00

	extra parts		
Wössner Connecting rods	P4053 `03-current	P4001 `04-current	P4001 `10-current
Needle bearing	-	-	-
Main bearing	-	2 x MB6328C3	2 x MB6328C3

Honda® - 4 stroke

Alle Angaben zum Verdichtungsverhältnis, Domvolumen und Kolbengewicht beziehen sich nur auf unser Standardmaß DA.

All information on compression ratio, dome volume and piston weight is valid for our standard size DA only.



Model	CRF250 / CRF250X	CRF250 Pro Series	CRF250 Pro Series
Years	06-09	10-13	14-current
Displ. (cc)	249	249	249

Piston Kit Part No.	Piston size (mm)	Over size (mm)	Ring Set Part No.	Piston Kit Part No.	Piston size (mm)	Over size (mm)	Ring Set Part No.	Piston Kit Part No.	Piston size (mm)	Over size (mm)	Ring Set Part No.
8656DA	77.96	Std.	780XAS	8775DA	76.76	Std.	768XAS-2	8912DA	76.76	Std.	768XAS
8656DB	77.97	+0.01	780XAS	8775DB	76.77	+0.01	768XAS-2	8912DB	76.77	+0.01	768XAS
8656DC	77.98	+0.02	780XAS	8775DC	76.78	+0.02	768XAS-2	8912DC	76.78	+0.02	768XAS
8656D200	79.96	+2.00	800XDS	8775D220	78.96	+2.20	790XAS-2				
8656D400	81.96	+4.00	820XDS								

	set includes		
Clip Part No.	CW16	CW16	CW16
Pin Part No.	WP059	WP070	WP070
Rings	see above	see above	see above
Price-Code	5	5	5
Stroke	52.20	53.80	53.80
Wössner/ OEM Comp. ratio	13.5:1 12.9:1	14.2:1 13.2:1	14.5:1 13.5:1
Dome Volume (CC)	-0.9 cm ³	+0.1 cm ³	+0.1 cm ³
Comp. Height (mm)	19.00	19.50	19.00

	extra parts		
Wössner Connecting rods	P4001 `04-current	P4001 `04-current	P4001 `04-current
Needle bearing	-	-	-
Main bearing	2 x MB6328C3	-	-

Honda® - 4 stroke



Alle Angaben zum Verdichtungsverhältnis, Domvolumen und Kolbengewicht beziehen sich nur auf unser Standardmaß DA.

All information on compression ratio, dome volume and piston weight is valid for our standard size DA only.

Model	CRF450R	CRF450R Big Bore Pro Series	CRF450R Big Bore
Years	02-03	02-08	02-08
Displ. (cc)	449	496	449

Piston Kit Part No.	Piston size (mm)	Over size (mm)	Ring Set Part No.	Piston Kit Part No.	Piston size (mm)	Over size (mm)	Ring Set Part No.	Piston Kit Part No.	Piston size (mm)	Over size (mm)	Ring Set Part No.
8546DA	95.96	Std.	960ADS-2	8546D400A	99.96	Std.	1000ADS-2	8584D400A	99.96	+4.00	1000ADS-2
8546DB	95.97	+0.01	960ADS-2	8546D400B	99.97	+0.01	1000ADS-2	8584D400B	99.97	+4.01	1000ADS-2
8546DC	95.98	+0.02	960ADS-2								

set includes			
Clip Part No.	CW19	CW19	CW19
Pin Part No.	WP037	WP037	WP037
Rings	see above	see above	see above
Price-Code	7	7	7/1
Stroke	62.10	62.10	62.10
Wössner/ OEM Comp. ratio	12.0:1 11.5:1	12.0:1 11.5:1	11.8:1 11.5:1
Dome Volume (CC)	-2.2 cm ³	-2.2 cm ³	-6.5 cm ³
Comp. Height (mm)	24.00	24.00	24.00

extra parts			
Wössner Connecting rods	P4026	P4026	P4026
Needle bearing	-	-	-
Main bearing	2 x MB6328C3	2 x MB6328C3	2 x MB6328C3

Honda® - 4 stroke



Alle Angaben zum Verdichtungsverhältnis, Domvolumen und Kolbengewicht beziehen sich nur auf unser Standardmaß DA.

All information on compression ratio, dome volume and piston weight is valid for our standard size DA only.

Model	CRF450R	CRF450R / CRF450X	CRF450R - Pro Series 2. Ring
Years	04	05-08 / 05-13	02-08
Displ. (cc)	449	449	449

Piston Kit Part No.	Piston size (mm)	Over size (mm)	Ring Set Part No.	Piston Kit Part No.	Piston size (mm)	Over size (mm)	Ring Set Part No.	Piston Kit Part No.	Piston size (mm)	Over size (mm)	Ring Set Part No.
8607DA	95.96	Std.	960ADS-2	8608DA	95.96	Std.	960ADS-2	8668DA	95.96	Std.	960ADS-2
8607DB	95.97	+0.01	960ADS-2	8608DB	95.97	+0.01	960ADS-2	8668DB	95.97	+0.01	960ADS-2
8607DC	95.98	+0.02	960ADS-2	8608DC	95.98	+0.02	960ADS-2	8668DC	95.98	+0.02	960ADS-2

	set includes		
Clip Part No.	CW19	CW19	CW19
Pin Part No.	WP037	WP071	WP037
Rings	see above	see above	see above
Price-Code	7/1	7	7
Stroke	62.10	62.10	62.10
Wössner/ OEM Comp. ratio	11.9:1 11.9:1	12.0:1 12.0:1	13.5:1 13.5:1
Dome Volume (CC)	-1.7 cm ³	-1.4 cm ³	+3.5 cm ³
Comp. Height (mm)	24.00	24.00	24.00

	extra parts		
Wössner Connecting rods	P4026	P4026 P4023 `05-13	P4026
Needle bearing	-	-	-
Main bearing	2 x MB6328C3	2 x MB6328C3	2 x MB6328C3

Honda® - 4 stroke



Alle Angaben zum Verdichtungsverhältnis, Domvolumen und Kolbengewicht beziehen sich nur auf unser Standardmaß DA.

All information on compression ratio, dome volume and piston weight is valid for our standard size DA only.



Model	CRF450R	CRF450R - Pro Series 2. Ring	CRF450R 2. Ring
Years	09-12	09-12	13-current
Displ. (cc)	449	449	449

Piston Kit Part No.	Piston size (mm)	Over size (mm)	Ring Set Part No.	Piston Kit Part No.	Piston size (mm)	Over size (mm)	Ring Set Part No.	Piston Kit Part No.	Piston size (mm)	Over size (mm)	Ring Set Part No.
8739DA	95.96	Std.	960ADS-2	8768DA	95.96	Std.	960ADS-2	8880DA	95.96	Std.	960ADS-2
8739DB	95.97	+0.01	960ADS-2	8768DB	95.97	+0.01	960ADS-2	8880DB	95.97	+0.01	960ADS-2
8739DC	95.98	+0.02	960ADS-2	8768DC	95.98	+0.02	960ADS-2	8880DC	95.98	+0.02	960ADS-2

set includes			
Clip Part No.	CW19	CW19	CW19
Pin Part No.	WP037	WP028	WP028
Rings	see above	see above	see above
Price-Code	7	7	7
Stroke	62.10	62.10	62.10
Wössner/ OEM Comp. ratio	12.0:1 12.0:1	13.4:1 12.0:1	12.5:1 12.5:1
Dome Volume (CC)	-4.6 cm ³	-0.03 cm ³	-2.6 cm ³
Comp. Height (mm)	20.70	20.70	20.70

extra parts			
Wössner Connecting rods	P4027 `09-current	P4027 `09-current	P4027 `09-current
Needle bearing	-	-	-
Main bearing	2 x MB6328C3	2 x MB6328C3	2 x MB6328C3

Honda® - 4 stroke



Alle Angaben zum Verdichtungsverhältnis, Domvolumen und Kolbengewicht beziehen sich nur auf unser Standardmaß DA.

All information on compression ratio, dome volume and piston weight is valid for our standard size DA only.

Model	CRF450R New! Pro Series 2. Ring	XR185 / XR200 ATC185 / ATC200S	XL250S / XR250
Years	13-current	86-02 / 80-83 / 81-86 / 81-86	79-82 / 83
Displ. (cc)	449	195	249

Piston Kit Part No.	Piston size (mm)	Over size (mm)	Ring Set Part No.	Piston Kit Part No.	Piston size (mm)	Over size (mm)	Ring Set Part No.	Piston Kit Part No.	Piston size (mm)	Over size (mm)	Ring Set Part No.
8881DA	95.96	Std.	960ADS-2	8813DA	65.46	Std.	655XKS	8791DA	73.94	Std.	740XDS
8881DB	95.97	+0.01	960ADS-2	8813D050	65.96	+0.50	660XKS	8791D050	74.44	+0.50	745XDS
8881DC	95.98	+0.02	960ADS-2	8813D100	66.46	+1.00	665XKS	8791D100	74.94	+1.00	750XDS
				8813D150	66.96	+1.50	670XKS	8791D150	75.44	+1.50	755XDS
				8813D200	67.46	+2.00	675XKS	8791D200	75.94	+2.00	760XDS

	set includes		
Clip Part No.	CW19	CW15	CW19
Pin Part No.	WP028	WP011	WP028
Rings	see above	see above	see above
Price-Code	7	5	5
Stroke	62.10	57.80	57.80
Wössner/ OEM Comp. ratio	13.8:1 12.5:1	10.0:1 10.0:1	10.0:1 9.1:1
Dome Volume (CC)	+1.5 cm ³	+1.4 cm ³	+9.3 cm ³
Comp. Height (mm)	20.70	25.50	24.70

	extra parts		
Wössner Connecting rods	P4027 `09-current	-	-
Needle bearing	-	-	-
Main bearing	2 x MB6328C3	-	-

Honda® - 4 stroke



Alle Angaben zum Verdichtungsverhältnis, Domvolumen und Kolbengewicht beziehen sich nur auf unser Standardmaß DA.

All information on compression ratio, dome volume and piston weight is valid for our standard size DA only.

Model	XR250 / XL250R	XR250 / XL250	XR350R will not fit for XL models
Years	84-87	86-04 / 91-96	83-85
Displ. (cc)	249	249	339

Piston Kit Part No.	Piston size (mm)	Over size (mm)	Ring Set Part No.	Piston Kit Part No.	Piston size (mm)	Over size (mm)	Ring Set Part No.	Piston Kit Part No.	Piston size (mm)	Over size (mm)	Ring Set Part No.
8792DA	74.94	Std.	750XDS	8793DA	72.94	Std.	730XDS	8641DA	83.94	Std.	840XSY
8792D050	75.44	+0.50	755XDS	8793D050	73.44	+0.50	735XDS	8641D050	84.44	+0.50	845XSY
8792D100	75.94	+1.00	760XDS	8793D100	73.94	+1.00	740XDS	8641D100	84.94	+1.00	850XSY
				8793D250	75.44	+2.50	755XDS				
				8793D400	76.94	+4.00	770XDS				
				8793D500	77.94	+5.00	780XDS				

set includes			
Clip Part No.	CW17	CW17	CW21
Pin Part No.	WP090	WP090	WP034
Rings	see above	see above	see above
Price-Code	5	5	7/1
Stroke	56.50	59.50	61.30
Wössner/ OEM Comp. ratio	10.2:1 10.2:1	10.5:1 9.3:1	9.5:1 9.5:1
Dome Volume (CC)	+6.4 cm ³	+6.0 cm ³	+5.0 cm ³
Comp. Height (mm)	25.40	25.00	26.50

extra parts			
Wössner Connecting rods	P4025 `86-04	P4025 `86-04	-
Needle bearing	-	-	-
Main bearing	-	-	-

Honda® - 4 stroke



Alle Angaben zum Verdichtungsverhältnis, Domvolumen und Kolbengewicht beziehen sich nur auf unser Standardmaß DA.

All information on compression ratio, dome volume and piston weight is valid for our standard size DA only.

Model	XR400 / XLS400	XR400R	XLR500 / XLS500 / XR500R
Years	81-82 / 81-82	96-04	79-84 / 79-84 / 79-82
Displ. (cc)	398	397	497

Piston Kit Part No.	Piston size (mm)	Over size (mm)	Ring Set Part No.	Piston Kit Part No.	Piston size (mm)	Over size (mm)	Ring Set Part No.	Piston Kit Part No.	Piston size (mm)	Over size (mm)	Ring Set Part No.
8642DA	88.94	Std.	890XSY	8604DA	84.94	Std.	850XSY	8642DA	88.94	Std.	890XSY
8642D050	89.44	+0.50	895XSY	8604D050	85.44	+0.50	855XSY	8642D050	89.44	+0.50	895XSY
8642D100	89.94	+1.00	900XSY	8604D100	85.94	+1.00	860XSY	8642D100	89.94	+1.00	900XSY
8642D150	90.44	+1.50	905XSY	8604D150	86.44	+1.50	865XSY	8642D150	90.44	+1.50	905XSY
8642D200	90.94	+2.00	910XSY	8604D200	86.94	+2.00	870XSY	8642D200	90.94	+2.00	910XSY
				8604D300	87.94	+3.00	880XSY				
				8604D400	88.94	+4.00	890XSY				

set includes			
Clip Part No.	CW21	CW20	CW21
Pin Part No.	WP034	WP052	WP034
Rings	see above	see above	see above
Price-Code	7/1	7/1	7/1
Stroke	64.00	70.00	80.00
Wössner/ OEM Comp. ratio	9.0:1 8.6:1	11.0:1 9.3:1	9.0:1 8.6:1
Dome Volume (CC)	+0.0 cm ³	+3.2 cm ³	+0.0 cm ³
Comp. Height (mm)	29.70	26.20	29.70

extra parts			
Wössner Connecting rods	-	P4033 `96-04	-
Needle bearing	-	-	-
Main bearing	-	-	2 x MB6307C3

Honda® - 4 stroke



Alle Angaben zum Verdichtungsverhältnis, Domvolumen und Kolbengewicht beziehen sich nur auf unser Standardmaß DA.

All information on compression ratio, dome volume and piston weight is valid for our standard size DA only.

Model	XR600R / XR600	XL600R	NX650 Dominator / XR650C / XR650L
Years	85-01	83-87	88-04 / 93-current / 96-current
Displ. (cc)	591 / 654	589	644

Piston Kit Part No.	Piston size (mm)	Over size (mm)	Ring Set Part No.	Piston Kit Part No.	Piston size (mm)	Over size (mm)	Ring Set Part No.	Piston Kit Part No.	Piston size (mm)	Over size (mm)	Ring Set Part No.
DA - D050 WP057				8822DA	99.94	Std.	1000XSX	8564DA	99.93	Std.	1000XSX
8574DA	96.94	Std.	970XSX	8822D050	100.44	+0.50	1005XSX	8564DB	99.94	+0.01	1000XSX
8574DB	96.95	+0.01	970XSX	8822D100	100.94	+1.00	1010XSX	8564DC	99.95	+0.02	1000XSX
8574DC	96.96	+0.02	970XSX					8564D100	100.93	+1.00	1010XSX
8574D050	97.44	+0.50	975XSX					8564D200	101.93	+2.00	1020XSX
D100 - D500 WP023											
8574D100	97.94	+1.00	980XSX								
8574D200	98.94	+2.00	990XSX								
8574D300	99.94	+3.00	1000XSX								
8574D400	100.94	+4.00	1010XSX								
8574D500	101.94	+5.00	1020XSX								

	set includes		
Clip Part No.	CW24	CW24	CW24
Pin Part No.	WP057 / WP023	WP057	WP057
Rings	see above	see above	see above
Price-Code	7/1	7/1	7/1
Stroke	80.00	75.00	82.00
Wössner/ OEM Comp. ratio	9.3:1 9.0:1	10.2:1 9.0:1	8.3:1 8.3:1
Dome Volume (CC)	-4.8 cm ³	-5.9 cm ³	+0.0 cm ³
Comp. Height (mm)	29.70	32.80	29.00

	extra parts		
Wössner Connecting rods	P4028	P4028	-
Needle bearing	-	-	-
Main bearing	-	-	2 x MB6308C3

Honda® - 4 stroke



Alle Angaben zum Verdichtungsverhältnis, Domvolumen und Kolbengewicht beziehen sich nur auf unser Standardmaß DA.

All information on compression ratio, dome volume and piston weight is valid for our standard size DA only.

Model	XR650R Will not fit for XR650L	XR650R Will not fit for XR650L
Years	00-07	00-07
Displ. (cc)	644	644

Piston Kit Part No.	Piston size (mm)	Over size (mm)	Ring Set Part No.	Piston Kit Part No.	Piston size (mm)	Over size (mm)	Ring Set Part No.
8575DA	99.94	Std.	1000XSY	8718DA	99.94	Std.	1000XSY
8575DB	99.95	+0.01	1000XSY	8718DB	99.95	+0.01	1000XSY
8575DC	99.96	+0.02	1000XSY	8718DC	99.96	+0.02	1000XSY
8575D100	100.94	+1.00	1010XSY	8718D100	100.94	+1.00	1010XSY
8575D200	101.94	+2.00	1020XSU	8718D200	101.94	+2.00	1020XSK

set includes		
Clip Part No.	CW23	CW23
Pin Part No.	WP024	WP024
Rings	see above	see above
Price-Code	7/1	7/1
Stroke	82.60	82.60
Wössner/ OEM Comp. ratio	10.0:1 10.0:1	11.0:1 10.0:1
Dome Volume (CC)	-3.6 cm ³	-1.2 cm ³
Comp. Height (mm)	29.00	29.00

extra parts		
Wössner Connecting rods	P4056	P4056
Needle bearing	-	-
Main bearing	2 x MB6308C3	2 x MB6308C3

Husaberg® - 2 stroke



Model	TE125 Single Ring	TE250	TE300
Years	12-current	11-current	11-current
Displ. (cc)	125	249	297

Piston Kit Part No.	Piston size (mm)	Over size (mm)	Ring Set Part No.	Piston Kit Part No.	Piston size (mm)	Over size (mm)	Ring Set Part No.	Piston Kit Part No.	Piston size (mm)	Over size (mm)	Ring Set Part No.
8220DA	53.95	Std.	RSV5400	8272DA	66.34	Std.	RDB6640	8273DA	71.94	Std.	RDB7200
8220DB	53.96	+0.01	RSV5400	8272DB	66.35	+0.01	RDB6640	8273DB	71.95	+0.01	RDB7200
8220DC	53.97	+0.02	RSV5400	8272DC	66.36	+0.02	RDB6640	8273DC	71.96	+0.02	RDB7200
8220D200	55.95	+2.00	RSB5600								
8220D400	57.95	+4.00	RSB5800								

	set includes		
Clip Part No.	CW15	CW18	CW18
Pin Part No.	WP032	WP033	WP033
Rings	see above	see above	see above
Price-Code	2	3	6
Stroke	54.50	72.00	72.00
Comp. Height (mm)	29.50	38.00	38.00

	extra parts		
Wössner Connecting rods	P2012	P2023	P2023 '11-current
Needle bearing	N1010	N1020	N1020
Main bearing	-	-	-

Husaberg® - 4 stroke



Alle Angaben zum Verdichtungsverhältnis, Domvolumen und Kolbengewicht beziehen sich nur auf unser Standardmaß DA.

All information on compression ratio, dome volume and piston weight is valid for our standard size DA only.

Model	FE250 New!	FC350 / FE350	FE390 New!
Years	13	89-96	14-current
Displ. (cc)	249	350	349

Piston Kit Part No.	Piston size (mm)	Over size (mm)	Ring Set Part No.	Piston Kit Part No.	Piston size (mm)	Over size (mm)	Ring Set Part No.	Piston Kit Part No.	Piston size (mm)	Over size (mm)	Ring Set Part No.
8690DA	75.96	Std.	760XAS	8517DA	85.95	Std.	860XSY	8885DA	87.95	Std.	880XSY
8690DB	75.97	+0.01	760XAS	8517DB	85.96	+0.01	860XSY	8885DB	87.96	+0.01	880XSY
								8885DC	87.97	+0.02	880XSY

	set includes		
Clip Part No.	CW16	CW18	CW18
Pin Part No.	WP059	WP031	WP054
Rings	see above	see above	see above
Price-Code	5/1	7/1	7
Stroke	54.80	60.10	57.50
Wössner/ OEM Comp. ratio	14.4:1 13.2:1	OEM -	12.3:1 12.3:1
Dome Volume (CC)	+2.3 cm ³	+1.5 cm ³	-0.1 cm ³
Comp. Height (mm)	19.50	23.00	20.50

	extra parts		
Wössner Connecting rods	P4003	-	-
Needle bearing	-	-	-
Main bearing	-	-	-

Husaberg® - 4 stroke



Alle Angaben zum Verdichtungsverhältnis, Domvolumen und Kolbengewicht beziehen sich nur auf unser Standardmaß DA.

All information on compression ratio, dome volume and piston weight is valid for our standard size DA only.

Model	FE390 Fuel injection	FC400 / FE400
Years	10-13	96-05 / 99-00
Displ. (cc)	398	397

Piston Kit Part No.	Piston size (mm)	Over size (mm)	Ring Set Part No.	Piston Kit Part No.	Piston size (mm)	Over size (mm)	Ring Set Part No.
8824DA	94.95	Std.	950ADS-2	8519DA	91.95	Std.	920XSX
8824DB	94.96	+0.01	950ADS-2	8519DB	91.96	+0.01	920XSX
8824DC	94.97	+0.02	950ADS-2	8519DC	91.97	+0.02	920XSX

set includes		
Clip Part No.	CW19	CW18
Pin Part No.	WP071	WP031
Rings	see above	see above
Price-Code	7/1	7/1
Stroke	55.50	59.80
Wössner/ OEM Comp. ratio	11.1:1 11.1:1	OEM -
Dome Volume (CC)	-1.1 cm ³	-3.3 cm ³
Comp. Height (mm)	23.20	22.60

extra parts		
Wössner Connecting rods	-	-
Needle bearing	-	-
Main bearing	-	-

Husaberg® - 4 stroke



Alle Angaben zum Verdichtungsverhältnis, Domvolumen und Kolbengewicht beziehen sich nur auf unser Standardmaß DA.

All information on compression ratio, dome volume and piston weight is valid for our standard size DA only.

Model	FC450 / FE450	FC450 / FE450 / FX450
Years	04-08	09-12 / 09-12 / 10-12
Displ. (cc)	449	449

Piston Kit Part No.	Piston size (mm)	Over size (mm)	Ring Set Part No.	Piston Kit Part No.	Piston size (mm)	Over size (mm)	Ring Set Part No.
8593DA	99.95	Std.	1000XSY	8707DA	94.95	Std.	950ADS-2
8593DB	99.96	+0.01	1000XSY	8707DB	94.96	+0.01	950ADS-2
8593DC	99.97	+0.02	1000XSY	8707DC	94.97	+0.02	950ADS-2
8593D050	100.45	+0.50	1005XSY				

set includes		
Clip Part No.	CW20	CW19
Pin Part No.	WP038	WP037
Rings	see above	see above
Price-Code	7/1	7
Stroke	57.20	63.40
Wössner/ OEM Comp. ratio	13.0:1 13.0:1	11.9:1 11.9:1
Dome Volume (CC)	+9.0 cm ³	-1.9 cm ³
Comp. Height (mm)	24.30	22.80

extra parts		
Wössner Connecting rods	-	P4016
Needle bearing	-	-
Main bearing	-	2 x MBNJ206C3

Husaberg® - 4 stroke



Alle Angaben zum Verdichtungsverhältnis, Domvolumen und Kolbengewicht beziehen sich nur auf unser Standardmaß DA.

All information on compression ratio, dome volume and piston weight is valid for our standard size DA only.

New!

Model	FE450	FC470 / FX470	FC501 / FE501
Years	14-current	00-02 / 00-02	94-09 / 94-09
Displ. (cc)	449	472	501

Piston Kit Part No.	Piston size (mm)	Over size (mm)	Ring Set Part No.	Piston Kit Part No.	Piston size (mm)	Over size (mm)	Ring Set Part No.	Piston Kit Part No.	Piston size (mm)	Over size (mm)	Ring Set Part No.
8898DA	94.95	Std.	950ADS-2	8552DA	99.95	Std.	1000ADS-2	8537DA	94.95	Std.	950XSY
8898DB	94.96	+0.01	950ADS-2	8552DB	99.96	+0.01	1000ADS-2	8537DB	94.96	+0.01	950XSY
8898DC	94.97	+0.02	950ADS-2	8552DC	99.97	+0.02	1000ADS-2	8537DC	94.97	+0.02	950XSY

	set includes		
Clip Part No.	CW19	CW20	CW20
Pin Part No.	WP071	WP038	WP073
Rings	see above	see above	see above
Price-Code	7	7/1	7/1
Stroke	63.40	60.10	70.10
Wössner/ OEM Comp. ratio	11.8:1 11.8:1	12.4:1 12.4:1	11.8:1 11.8:1
Dome Volume (CC)	-1.6 cm ³	+5.6 cm ³	-2.1 cm ³
Comp. Height (mm)	22.80	22.60	23.00

	extra parts		
Wössner Connecting rods	-	-	-
Needle bearing	-	-	-
Main bearing	-	-	-

Husaberg® - 4 stroke



Alle Angaben zum Verdichtungsverhältnis, Domvolumen und Kolbengewicht beziehen sich nur auf unser Standardmaß DA.

All information on compression ratio, dome volume and piston weight is valid for our standard size DA only.

Model	FC501 / FE501	FC550 / FE550	FC650 / FE650
Years	89-93	04-08	04-08 / 04-08
Displ. (cc)	501	549	644

Piston Kit Part No.	Piston size (mm)	Over size (mm)	Ring Set Part No.	Piston Kit Part No.	Piston size (mm)	Over size (mm)	Ring Set Part No.	Piston Kit Part No.	Piston size (mm)	Over size (mm)	Ring Set Part No.
8516DA	91.95	Std.	920XS	8602DA	99.95	Std.	1000XS	8551DA	99.95	Std.	1000XS
8516DB	91.96	+0.01	920XS	8602DB	99.96	+0.01	1000XS	8551DB	99.96	+0.01	1000XS
8516DC	91.97	+0.02	920XS	8602DC	99.97	+0.02	1000XS	8551DC	99.97	+0.02	1000XS

	set includes		
Clip Part No.	CW20	CW20	CW20
Pin Part No.	WP038	WP038	WP038
Rings	see above	see above	see above
Price-Code	7/1	7/1	7/1
Stroke	75.50	70.00	82.00
Wössner/ OEM Comp. ratio	OEM -	12.5:1 11.8:1	11.8:1 11.8:1
Dome Volume (CC)	-3.5 cm ³	-2.3 cm ³	-2.1 cm ³
Comp. Height (mm)	23.00	23.40	23.00

	extra parts		
Wössner Connecting rods	-	-	-
Needle bearing	-	-	-
Main bearing	-	-	-

Husaberg® - 4 stroke



Alle Angaben zum Verdichtungsverhältnis, Domvolumen und Kolbengewicht beziehen sich nur auf unser Standardmaß DA.

All information on compression ratio, dome volume and piston weight is valid for our standard size DA only.

Model	FE570 Fuel injection	FC600 / FE600	FC601 / FE601
Years	09-12	89-00 / 89-00	94-98 / 94-98
Displ. (cc)	-	595	600

Piston Kit Part No.	Piston size (mm)	Over size (mm)	Ring Set Part No.	Piston Kit Part No.	Piston size (mm)	Over size (mm)	Ring Set Part No.	Piston Kit Part No.	Piston size (mm)	Over size (mm)	Ring Set Part No.
8737DA	99.95	Std.	1000XS	8537DA	94.95	Std.	950XS	DA - DC WP073			
8737DB	99.96	+0.01	1000XS	8537DB	94.96	+0.01	950XS	8537DA	94.95	Std.	950XS
8737DC	99.97	+0.02	1000XS	8537DC	94.97	+0.02	950XS	8537DB	94.96	+0.01	950XS
								8537DC	94.97	+0.02	950XS
								D300 WP038			
								8537D300	97.95	+3.00	980XS

set includes			
Clip Part No.	CW20	CW20	CW20
Pin Part No.	WP038	WP073	WP073 / WP038
Rings	see above	see above	see above
Price-Code	7/1	7/1	7/1
Stroke	72.00	84.00	84.00
Wössner/ OEM Comp. ratio	11.8:1 11.8:1	11.8:1 11.8:1	11.8:1 11.8:1
Dome Volume (CC)	-10.5 cm ³	-2.1 cm ³	-2.1 cm ³
Comp. Height (mm)	24.50	23.00	23.00

extra parts			
Wössner Connecting rods	-	-	-
Needle bearing	-	-	-
Main bearing	-	-	-

Husaberg® - 4 stroke



Alle Angaben zum Verdichtungsverhältnis, Domvolumen und Kolbengewicht beziehen sich nur auf unser Standardmaß DA.

All information on compression ratio, dome volume and piston weight is valid for our standard size DA only.

Model	FC601 / FE601	FE650 / FS650 / FX650
Years	94-98 / 94-98	00-09 / 00-09
Displ. (cc)	600	644

Piston Kit Part No.	Piston size (mm)	Over size (mm)	Ring Set Part No.	Piston Kit Part No.	Piston size (mm)	Over size (mm)	Ring Set Part No.
8551DA	99.95	Std.	1000XS	8551DA	99.95	Std.	1000XS
8551DB	99.96	+0.01	1000XS	8551DB	99.96	+0.01	1000XS
8551DC	99.97	+0.02	1000XS	8551DC	99.97	+0.02	1000XS

set includes		
Clip Part No.	CW20	CW20
Pin Part No.	WP038	WP038
Rings	see above	see above
Price-Code	7/1	7/1
Stroke	82.00	82.00
Wössner/ OEM Comp. ratio	11.8:1 11.8:1	11.8:1 11.8:1
Dome Volume (CC)	-2.1 cm ³	-2.1 cm ³
Comp. Height (mm)	23.00	23.00

extra parts		
Wössner Connecting rods	-	-
Needle bearing	-	-
Main bearing	-	-

Husqvarna® - 2 stroke



New!

Model	TC85	CR125 / WR125	CR125 / WR125
Years	14-current	76-83	84-87
Displ. (cc)	84	124	124

Piston Kit Part No.	Piston size (mm)	Over size (mm)	Ring Set Part No.	Piston Kit Part No.	Piston size (mm)	Over size (mm)	Ring Set Part No.	Piston Kit Part No.	Piston size (mm)	Over size (mm)	Ring Set Part No.
8147DA	46.95	Std.	RSB4700	8035D075	55.69	+0.75	RSB5575	8173D050	55.44	+0.50	RSB5550
8147DB	46.96	+0.01	RSB4700	8035D100	55.94	+1.00	RSB5600	8173D075	55.69	+0.75	RSB5575
8147DC	46.97	+0.02	RSB4700	8035D150	56.44	+1.50	RSB5650	8173D100	55.94	+1.00	RSB5600
								8173D150	56.44	+1.50	RSB5650

	set includes		
Clip Part No.	CW14	CW15	CW15
Pin Part No.	WP058	WP032	WP032
Rings	see above	see above	see above
Price-Code	1	2/1	2/1
Stroke	48.95	52.30	52.30
Comp. Height (mm)	24.00	25.00	25.00

	extra parts		
Wössner Connecting rods	P2065 `14-current	-	-
Needle bearing	N1006	-	-
Main bearing	2 x MB6304C3	-	-

Husqvarna® - 2 stroke



Model	WMX125 / WR125 with Dome	CR125 / WR125	CR125 / WR125 / SM125 / SMS125 / WRE125
Years	88-91	92-94	97-13
Displ. (cc)	124	124	125

Piston Kit Part No.	Piston size (mm)	Over size (mm)	Ring Set Part No.	Piston Kit Part No.	Piston size (mm)	Over size (mm)	Ring Set Part No.	Piston Kit Part No.	Piston size (mm)	Over size (mm)	Ring Set Part No.
8060DA	55.95	Std.	RSB5600	8040DA	55.95	Std.	RSB5600	8089DA	53.95	Std.	RSB5400
8060DB	55.96	+0.01	RSB5600	8040DB	55.96	+0.01	RSB5600	8089DB	53.96	+0.01	RSB5400
8060D050	56.45	+0.50	RSB5650	8040DC	55.97	+0.02	RSB5600	8089DC	53.97	+0.02	RSB5400
8060D100	56.95	+1.00	RSB5700	8040D050	56.45	+0.50	RSB5650	8089DD	53.98	+0.03	RSB5400
				8040D100	56.95	+1.00	RSB5700	8089D050	54.45	+0.50	RSB5450
								8089D100	54.95	+1.00	RSB5500

set includes			
Clip Part No.	CW16	CW16	CW15
Pin Part No.	WP036	WP036	WP032
Rings	see above	see above	see above
Price-Code	2/1	2	2
Stroke	50.40	50.40	50.70
Comp. Height (mm)	25.00	25.00	28.00

extra parts			
Wössner Connecting rods	-	-	P2060
Needle bearing	-	N1014	N1047
Main bearing	-	-	2 x MB6322C4

Husqvarna® - 2 stroke



New!

Model	A8 125 / W8 125	TC125	CR150
Years	all	14-current	11-13
Displ. (cc)	125	125	144

Piston Kit Part No.	Piston size (mm)	Over size (mm)	Ring Set Part No.	Piston Kit Part No.	Piston size (mm)	Over size (mm)	Ring Set Part No.	Piston Kit Part No.	Piston size (mm)	Over size (mm)	Ring Set Part No.
8142DA	55.94	Std.	RDB5600	8220DA	53.95	Std.	RSV5400	8283DA	57.94	Std.	RSB5800
8142D025	56.19	+0.25	RDB5625	8220DB	53.96	+0.01	RSV5400	8283DB	57.95	+0.01	RSB5800
8142D100	56.94	+1.00	RDB5700	8220DC	53.97	+0.02	RSV5400	8283DC	57.96	+0.02	RSB5800
				8220D200	55.95	+2.00	RSB5600				
				8220D400	57.95	+4.00	RSB5600				

	set includes		
Clip Part No.	CW16	CW15	CW15
Pin Part No.	WP036	WP032	WP032
Rings	see above	see above	see above
Price-Code	2/1	2	2/1
Stroke	50.90	54.50	54.50
Comp. Height (mm)	29.90	29.50	28.00

	extra parts		
Wössner Connecting rods	-	P2012	P2060 `11
Needle bearing	-	N1010	N1047 `11
Main bearing	-	1 x MBNJ206 Left 1 x MB63052RS Right	2 x MB6322C4

Husqvarna® - 2 stroke



Model	CR240 / WR240	CR250 / WR250 / XR250	CR250 / WR250
Years	87-88	74-84	85-86
Displ. (cc)	240	249	249

Piston Kit Part No.	Piston size (mm)	Over size (mm)	Ring Set Part No.	Piston Kit Part No.	Piston size (mm)	Over size (mm)	Ring Set Part No.	Piston Kit Part No.	Piston size (mm)	Over size (mm)	Ring Set Part No.
8044D100	67.44	+1.00	RSB6750	8004DA	69.44	Std.	RSB6950	8010DA	69.44	Std.	RDB6950
8044D150	67.94	+1.50	RSB6800	8004D050	69.94	+0.50	RSB7000	8010D050	69.94	+0.50	RDB7000
				8004D100	70.44	+1.00	RSB7050	8010D100	70.44	+1.00	RDB7050
				8004D150	70.94	+1.50	RSB7100	8010D150	70.94	+1.50	RDB7100
				8004D200	71.44	+2.00	RSB7150	8010D200	71.44	+2.00	RDB7150

	set includes		
Clip Part No.	CW18	CW18	CW18
Pin Part No.	WP033	WP033	WP033
Rings	see above	see above	see above
Price-Code	3/1	3/1	3/1
Stroke	69.20	65.80	65.80
Comp. Height (mm)	35.00	32.00	32.00

	extra parts		
Wössner Connecting rods	-	-	-
Needle bearing	-	N1021	-
Main bearing	-	-	-

Husqvarna® - 2 stroke



Model	CR250 / WR250	CR250 / WR250	CR250 / WR250
Years	87-91	92-98	98-05 / 98-12
Displ. (cc)	249	249	249

Piston Kit Part No.	Piston size (mm)	Over size (mm)	Ring Set Part No.	Piston Kit Part No.	Piston size (mm)	Over size (mm)	Ring Set Part No.	Piston Kit Part No.	Piston size (mm)	Over size (mm)	Ring Set Part No.
8199DA	69.94	Std.	RSB7000	8015DA	66.94	Std.	RDB6700	8141DA	66.34	Std.	RDB6640
8199DB	69.95	+0.01	RSB7000	8015DB	66.95	+0.01	RDB6700	8141DB	66.35	+0.01	RDB6640
8199DC	69.96	+0.02	RSB7000	8015DC	66.96	+0.02	RDB6700	8141DC	66.36	+0.02	RDB6640
8199DD	69.97	+0.03	RSB7000	8015D050	67.44	+0.50	RDB6750				
				8015D100	67.94	+1.00	RDB6800				

	set includes		
Clip Part No.	CW18	CW18	CW18
Pin Part No.	WP033	WP033	WP033
Rings	see above	see above	see above
Price-Code	3/1	3	3
Stroke	64.80	70.80	72.00
Comp. Height (mm)	30.00	35.00	38.00

	extra parts		
Wössner Connecting rods	-	-	P2057 '99-11
Needle bearing	-	-	N1021
Main bearing	-	-	2 x MB6305C3

Husqvarna® - 2 stroke



Model	TC250	WR300 / TE300	CR360 / WR360
Years	14-current	09-13 / 14-current	92-02
Displ. (cc)	249	297	360

Piston Kit Part No.	Piston size (mm)	Over size (mm)	Ring Set Part No.	Piston Kit Part No.	Piston size (mm)	Over size (mm)	Ring Set Part No.	Piston Kit Part No.	Piston size (mm)	Over size (mm)	Ring Set Part No.
8169DA	66.34	Std.	RDB6640	8250DA	71.94	Std.	RDB7200	8076DA	77.94	Std.	RDC7800
8169DB	66.35	+0.01	RDB6640	8250DB	71.95	+0.01	RDB7200	8076DB	77.95	+0.01	RDC7800
8169DC	66.36	+0.02	RDB6640	8250DC	71.96	+0.02	RDB7200	8076DC	77.96	+0.02	RDC7800
								8076D050	78.44	+0.50	RDC7850

	set includes		
Clip Part No.	CW18	CW18	CA18
Pin Part No.	WP033	WP033	WP039
Rings	see above	see above	see above
Price-Code	3	6	6/1
Stroke	72.00	72.00	75.00
Comp. Height (mm)	38.00	38.00	27.00

	extra parts		
Wössner Connecting rods	-	P2057	-
Needle bearing	N1020	N1020	N1049
Main bearing	2 x MB6305C3	2 x MB6305C3	-

Husqvarna® - 2 stroke



Model	CR390 / WR390 KH37mm	WR430	CR500
Years	77-80	84-88	83-87
Displ. (cc)	390	429	500

Piston Kit Part No.	Piston size (mm)	Over size (mm)	Ring Set Part No.	Piston Kit Part No.	Piston size (mm)	Over size (mm)	Ring Set Part No.	Piston Kit Part No.	Piston size (mm)	Over size (mm)	Ring Set Part No.
8033DA	82.92	Std.	RSC8300	8051DA	85.92	Std.	RSC8600	8037D100	86.92	+1.00	RSC8700
8033D050	83.42	+0.50	RSC8350	8051DB	85.93	+0.01	RSC8600	8037D150	87.42	+1.50	RSC8750
8033D100	83.92	+1.00	RSC8400	8051DC	85.94	+0.02	RSC8600	8037D200	87.92	+2.00	RSC8800
8033D150	84.42	+1.50	RSC8450	8051D050	86.42	+0.50	RSC8650				
8033D200	84.92	+2.00	RSC8500	8051D100	86.92	+1.00	RSC8700				
8033D250	85.42	+2.50	RSC8550	8051D150	87.42	+1.50	RSC8750				

set includes			
Clip Part No.	CW18	CW18	CW20
Pin Part No.	WP033	WP039	WP086
Rings	see above	see above	see above
Price-Code	6/1	6/1	6/1
Stroke	71.00	74.00	84.00
Comp. Height (mm)	37.00	37.00	42.00

extra parts			
Wössner Connecting rods	-	-	-
Needle bearing	-	-	-
Main bearing	-	-	-

Husqvarna® - 4 stroke



Alle Angaben zum Verdichtungsverhältnis, Domvolumen und Kolbengewicht beziehen sich nur auf unser Standardmaß DA.

All information on compression ratio, dome volume and piston weight is valid for our standard size DA only.

Model	TC250 / TE250	TC250 / TE250 / TXC250	TC250 Fuel injection 2011
Years	03-05	06-09	10-11
Displ. (cc)	249	249	249

Piston Kit Part No.	Piston size (mm)	Over size (mm)	Ring Set Part No.	Piston Kit Part No.	Piston size (mm)	Over size (mm)	Ring Set Part No.	Piston Kit Part No.	Piston size (mm)	Over size (mm)	Ring Set Part No.
8576DA	75.96	Std.	760XAS	8650DA	75.96	Std.	760XAS	8770DA	78.95	Std.	RIK79.00D
8576DB	75.97	+0.01	760XAS	8650DB	75.97	+0.01	760XAS	8770DB	78.96	+0.01	RIK79.00D
8576DC	75.98	+0.02	760XAS	8650DC	75.98	+0.02	760XAS	8770DC	78.97	+0.02	RIK79.00D

	set includes		
Clip Part No.	CW16	CW16	CW14
Pin Part No.	WP059	WP059	WP063
Rings	see above	see above	see above
Price-Code	5	5	5/1
Stroke	55.00	55.00	50.90
Wössner/ OEM Comp. ratio	12.9:1 12.5:1	13.0:1 12.9:1	14.0:1 13.6:1
Dome Volume (CC)	-3.1 cm ³	-2.7 cm ³	-0.6 cm ³
Comp. Height (mm)	23.50	20.00	18.00

	extra parts		
Wössner Connecting rods	-	P4049	P4050
Needle bearing	-	-	-
Main bearing	-	-	-

Husqvarna® - 4 stroke



Alle Angaben zum Verdichtungsverhältnis, Domvolumen und Kolbengewicht beziehen sich nur auf unser Standardmaß DA.

All information on compression ratio, dome volume and piston weight is valid for our standard size DA only.

Model	TC250 Pro Series New!	FE250 New!	FC350 New!
Years	12-13	14-current	14-current
Displ. (cc)	249	249	350

Piston Kit Part No.	Piston size (mm)	Over size (mm)	Ring Set Part No.	Piston Kit Part No.	Piston size (mm)	Over size (mm)	Ring Set Part No.	Piston Kit Part No.	Piston size (mm)	Over size (mm)	Ring Set Part No.
8882DA	78.95	Std.	790XAS-2	8865DA	77.96	Std.	KOENIG78-4T	8807DA	87.95	Std.	880XSY
8882DB	78.96	+0.01	790XAS-2	8865DB	77.97	+0.01	KOENIG78-4T	8807DB	87.96	+0.01	880XSY
8882DC	78.97	+0.02	790XAS-2	8865DC	77.98	+0.02	KOENIG78-4T	8807DC	87.97	+0.02	880XSY
								8807D200	89.95	+2.00	900XSY
								8807D300	90.95	+3.00	910XSY

	set includes		
Clip Part No.	CW14	CW16	CW18
Pin Part No.	WP063	WP070	WP053
Rings	see above	see above	see above
Price-Code	5/1	5/2	7
Stroke	50.90	52.30	57.50
Wössner/ OEM Comp. ratio	14.0:1 13.6:1	13.9:1 13.9:1	13.5:1 13.5:1
Dome Volume (CC)	+4.2 cm ³	-2.1 cm ³	+1.3 cm ³
Comp. Height (mm)	18.00	19.50	20.50

	extra parts		
Wössner Connecting rods	-	P4059	-
Needle bearing	-	-	-
Main bearing	-	-	-

Husqvarna® - 4 stroke



Alle Angaben zum Verdichtungsverhältnis, Domvolumen und Kolbengewicht beziehen sich nur auf unser Standardmaß DA.

All information on compression ratio, dome volume and piston weight is valid for our standard size DA only.

Model	FC350 Pro Series New!	TC310 / TE310	TC310 / TE310
Years	14-current	09-10	11-12
Displ. (cc)	350	297	302

Piston Kit Part No.	Piston size (mm)	Over size (mm)	Ring Set Part No.	Piston Kit Part No.	Piston size (mm)	Over size (mm)	Ring Set Part No.	Piston Kit Part No.	Piston size (mm)	Over size (mm)	Ring Set Part No.
8810DA	87.95	Std.	880XSY	8771DA	82.95	Std.	830XSY	8867DA	81.95	Std.	820XSY
8810DB	87.96	+0.01	880XSY	8771DB	82.96	+0.01	830XSY	8867DB	81.96	+0.01	820XSY
8810DC	87.97	+0.02	880XSY	8771DC	82.97	+0.02	830XSY	8867DC	81.97	+0.02	820XSY
8810D200	89.95	+2.00	900XSY								

	set includes		
Clip Part No.	CW18	CW16	CW16
Pin Part No.	WP099	WP059	WP059
Rings	see above	see above	see above
Price-Code	7	7/1	7/1
Stroke	57.50	55.00	57.30
Wössner/ OEM Comp. ratio	14.5:1 13.5:1	13.0:1 12.9:1	13.0:1 13.0:1
Dome Volume (CC)	+3.3 cm ³	-7.0 cm ³	-5.4 cm ³
Comp. Height (mm)	20.50	20.00	23.00

	extra parts		
Wössner Connecting rods	-	P4049	-
Needle bearing	-	-	-
Main bearing	-	-	-

Husqvarna® - 4 stroke



Alle Angaben zum Verdichtungsverhältnis, Domvolumen und Kolbengewicht beziehen sich nur auf unser Standardmaß DA.

All information on compression ratio, dome volume and piston weight is valid for our standard size DA only.

Model	TE350	TC400 / SMR400	TE410
Years	90-97	99-01 / 05-07	93-95
Displ. (cc)	349	399	399

Piston Kit Part No.	Piston size (mm)	Over size (mm)	Ring Set Part No.	Piston Kit Part No.	Piston size (mm)	Over size (mm)	Ring Set Part No.	Piston Kit Part No.	Piston size (mm)	Over size (mm)	Ring Set Part No.
8510DA	83.94	Std.	840XSY	8550DA	91.44	Std.	915XSY	8515DA	91.44	Std.	915XSY
8510DB	83.95	+0.01	840XSY	8550DB	91.45	+0.01	915XSY	8515DB	91.45	+0.01	915XSY
8510DC	83.96	+0.02	840XSY	8550DC	91.46	+0.02	915XSY	8515DC	91.46	+0.02	915XSY

	set includes		
Clip Part No.	CW20	CW20	CW20
Pin Part No.	WP029	WP038	WP038
Rings	see above	see above	see above
Price-Code	7/1	7/1	7/1
Stroke	63.00	60.80	60.80
Wössner/ OEM Comp. ratio	10.2:1 10.2:1	11.4:1 11.4:1	11.4:1 11.4:1
Dome Volume (CC)	+3.6 cm ³	+1.9 cm ³	-1.9 cm ³
Comp. Height (mm)	28.00	24.50	27.80

	extra parts		
Wössner Connecting rods	-	-	-
Needle bearing	-	-	-
Main bearing	-	-	-

Husqvarna® - 4 stroke



Alle Angaben zum Verdichtungsverhältnis, Domvolumen und Kolbengewicht beziehen sich nur auf unser Standardmaß DA.

All information on compression ratio, dome volume and piston weight is valid for our standard size DA only.

Model	TE410	TE410	TE449 / TC449 / TXC449 Pro Series
Years	96-98	99-01	11-13
Displ. (cc)	399	399	449

Piston Kit Part No.	Piston size (mm)	Over size (mm)	Ring Set Part No.	Piston Kit Part No.	Piston size (mm)	Over size (mm)	Ring Set Part No.	Piston Kit Part No.	Piston size (mm)	Over size (mm)	Ring Set Part No.
8514DA	91.44	Std.	915XSY	8518DA	91.44	Std.	915XSY	8829DA	97.94	Std.	980XSY
8514DB	91.45	+0.01	915XSY	8518DB	91.45	+0.01	915XSY	8829DB	97.95	+0.01	980XSY
8514DC	91.46	+0.02	915XSY	8518DC	91.46	+0.02	915XSY	8829DC	97.96	+0.02	980XSY

	set includes		
Clip Part No.	CW20	CW20	CW20
Pin Part No.	WP038	WP038	WP038
Rings	see above	see above	see above
Price-Code	7/1	7/1	7
Stroke	60.80	60.80	59.60
Wössner/ OEM Comp. ratio	11.4:1 11.4:1	11.4:1 11.4:1	13.0:1 12.0:1 / 13.0:1 / 12.0:1
Dome Volume (CC)	-2.5 cm ³	-2.4 cm ³	-0.5 cm ³
Comp. Height (mm)	29.50	24.50	25.00

	extra parts		
Wössner Connecting rods	-	-	-
Needle bearing	-	-	-
Main bearing	-	-	-

Husqvarna® - 4 stroke



Alle Angaben zum Verdichtungsverhältnis, Domvolumen und Kolbengewicht beziehen sich nur auf unser Standardmaß DA.

All information on compression ratio, dome volume and piston weight is valid for our standard size DA only.

Model	TC450 / TE450	TC450 / TE450 / SMR450	TC450 / TE450 / SMR450
Years	02	03-05	06-10
Displ. (cc)	449	449	449

Piston Kit Part No.	Piston size (mm)	Over size (mm)	Ring Set Part No.	Piston Kit Part No.	Piston size (mm)	Over size (mm)	Ring Set Part No.	Piston Kit Part No.	Piston size (mm)	Over size (mm)	Ring Set Part No.
8556DA	96.94	Std.	970XSY	8578DA	96.94	Std.	970XSY	8651DA	96.96	Std.	970ADS-2
8556DB	96.95	+0.01	970XSY	8578DB	96.95	+0.01	970XSY	8651DB	96.97	+0.01	970ADS-2
8556DC	96.96	+0.02	970XSY	8578DC	96.96	+0.02	970XSY	8651DC	96.98	+0.02	970ADS-2

set includes			
Clip Part No.	CW20	CW20	CW20
Pin Part No.	WP038	WP073	WP038
Rings	see above	see above	see above
Price-Code	7/1	7/1	7/1
Stroke	60.80	60.80	60.80
Wössner/ OEM Comp. ratio	12.0:1 12.0:1	12.0:1 12.0:1	13.0:1 12.9:1
Dome Volume (CC)	-5.1 cm ³	-6.5 cm ³	-7.5 cm ³
Comp. Height (mm)	24.50	24.50	24.50

extra parts			
Wössner Connecting rods	-	SMR450 = P4015 `04-07	SMR450 = P4015 `04-07
Needle bearing	-	-	-
Main bearing	-	-	-

Husqvarna® - 4 stroke



Alle Angaben zum Verdichtungsverhältnis, Domvolumen und Kolbengewicht beziehen sich nur auf unser Standardmaß DA.

All information on compression ratio, dome volume and piston weight is valid for our standard size DA only.

Model	FC450 New!	FC450 Pro Series New!
Years	14-current	14-current
Displ. (cc)	449	449

Piston Kit Part No.	Piston size (mm)	Over size (mm)	Ring Set Part No.	Piston Kit Part No.	Piston size (mm)	Over size (mm)	Ring Set Part No.
8868DA	94.95	Std.	950ADS-2	8873DA	94.95	Std.	950ADS-2
8868DB	94.96	+0.01	950ADS-2	8873DB	94.96	+0.01	950ADS-2
8868DB	94.97	+0.02	950ADS-2	8873DC	94.97	+0.02	950ADS-2

	set includes	
Clip Part No.	CW19	CW19
Pin Part No.	WP071	WP071
Rings	see above	see above
Price-Code	7/1	7/1
Stroke	63.40	63.40
Wössner/ OEM Comp. ratio	12.6:1 12.6:1	13.6:1 12.6:1
Dome Volume (CC)	+1.0 cm ³	+4.1 cm ³
Comp. Height (mm)	22.80	22.80

	extra parts	
Wössner Connecting rods	P4058	P4058
Needle bearing	-	-
Main bearing	-	-

Husqvarna® - 4 stroke



Alle Angaben zum Verdichtungsverhältnis, Domvolumen und Kolbengewicht beziehen sich nur auf unser Standardmaß DA.

All information on compression ratio, dome volume and piston weight is valid for our standard size DA only.

Model	TE510 / TC510 / WRE510	TC510 / TE510 / SMR510	TC510 / TE510 / SMR510 2. Ring
Years	87-90	06-09 / 08-10 / 08-10	06-09 / 08-10 / 08-10
Displ. (cc)	503	501	501

Piston Kit Part No.	Piston size (mm)	Over size (mm)	Ring Set Part No.	Piston Kit Part No.	Piston size (mm)	Over size (mm)	Ring Set Part No.	Piston Kit Part No.	Piston size (mm)	Over size (mm)	Ring Set Part No.
8511DA	91.44	Std.	915XSX	8652DA	96.95	Std.	970XSX	8866DA	96.95	Std.	970XSX
8511DB	91.45	+0.01	915XSX	8652DB	96.96	+0.01	970XSX	8866DB	96.96	+0.01	970XSX
8511DC	91.46	+0.02	915XSX	8652DC	96.97	+0.02	970XSX	8866DC	96.97	+0.02	970XSX
8511D050	91.94	+0.50	920XSX								

	set includes		
Clip Part No.	CW20	CW20	CW20
Pin Part No.	WP038	WP038	WP029
Rings	see above	see above	see above
Price-Code	7/1	7/1	7/1
Stroke	76.50	67.80	67.80
Wössner/ OEM Comp. ratio	12.0:1 12.0:1	13.0:1 12.9:1	13.0:1 12.9:1
Dome Volume (CC)	-2.6 cm ³	-9.2 cm ³	-9.2 cm ³
Comp. Height (mm)	30.00	24.80	24.80

	extra parts		
Wössner Connecting rods	-	P4054	P4054
Needle bearing	-	-	-
Main bearing	-	-	-

Husqvarna® - 4 stroke



Alle Angaben zum Verdichtungsverhältnis, Domvolumen und Kolbengewicht beziehen sich nur auf unser Standardmaß DA.

All information on compression ratio, dome volume and piston weight is valid for our standard size DA only.

Model	TE511 / TXC511 / SMR511	TC570 / TE570	TC610 / TE610
Years	11-13	01-02 / 01-02	91-98
Displ. (cc)	477	577	577

Piston Kit Part No.	Piston size (mm)	Over size (mm)	Ring Set Part No.	Piston Kit Part No.	Piston size (mm)	Over size (mm)	Ring Set Part No.	Piston Kit Part No.	Piston size (mm)	Over size (mm)	Ring Set Part No.
8828DA	100.94	Std.	1010XSY	8526DA	97.94	Std.	980ADS-2	8522DA	97.94	Std.	980XSY
8828DB	100.95	+0.01	1010XSY	8526DB	97.95	+0.01	980ADS-2	8522DB	97.95	+0.01	980XSY
8828DC	100.96	+0.02	1010XSY	8526DC	97.96	+0.02	980ADS-2	8522DC	97.96	+0.02	980XSY
				8526D200	99.94	+2.00	1000ADS-2	8522D200	99.94	+2.00	1000XSY
								8522D400	101.94	+4.00	1020XSU

	set includes		
Clip Part No.	CW20	CW22	CW22
Pin Part No.	WP068	WP009	WP009
Rings	see above	see above	see above
Price-Code	7/1*	7/1	7/1
Stroke	59.60	76.40	76.40
Wössner/ OEM Comp. ratio	12.0:1 12.0:1	10.0:1 10.0:1	11.0:1 11.0:1
Dome Volume (CC)	-6 cm ³	-5.4 cm ³	-1.8 cm ³
Comp. Height (mm)	25.00	25.00	30.00

	extra parts		
Wössner Connecting rods	-	P4042	P4041
Needle bearing	-	-	-
Main bearing	-	-	-

Husqvarna® - 4 stroke



Alle Angaben zum Verdichtungsverhältnis, Domvolumen und Kolbengewicht beziehen sich nur auf unser Standardmaß DA.

All information on compression ratio, dome volume and piston weight is valid for our standard size DA only.

Model	TC610 / TE610	TC610 / TE610 Pro Series	TC610 / TE610
Years	99-03 / 99-03	99-05	06-10
Displ. (cc)	577	577	577

Piston Kit Part No.	Piston size (mm)	Over size (mm)	Ring Set Part No.	Piston Kit Part No.	Piston size (mm)	Over size (mm)	Ring Set Part No.	Piston Kit Part No.	Piston size (mm)	Over size (mm)	Ring Set Part No.
8526DA	97.94	Std.	980ADS-2	8568DA	97.94	Std.	980XSY	8815DA	97.94	Std.	980XSY
8526DB	97.95	+0.01	980ADS-2	8568DB	97.95	+0.01	980XSY	8815DB	97.95	+0.01	980XSY
8526DC	97.96	+0.02	980ADS-2	8568DC	97.96	+0.02	980XSY	8815DC	97.96	+0.02	980XSY
8526D200	99.94	+2.00	1000ADS-2	8568D200	99.94	+2.00	1000XSY	8815D200	99.94	+2.00	1000XSY
8526D300	100.94	+3.00	1010XSY								
8526D400	101.94	+4.00	1020XSU								

set includes			
Clip Part No.	CW22	CW22	CW22
Pin Part No.	WP009	WP009	WP009
Rings	see above	see above	see above
Price-Code	7/1	7/1	7/1
Stroke	76.40	76.40	76.40
Wössner/ OEM Comp. ratio	10.0:1 10.0:1	11.0:1 10.0:1	11.0:1 11.0:1
Dome Volume (CC)	-5.4 cm ³	+8.2 cm ³	+8.2 cm ³
Comp. Height (mm)	25.00	25.00	25.00

extra parts			
Wössner Connecting rods	P4042	P4042	P4042
Needle bearing	-	-	-
Main bearing	-	-	-

Kawasaki® - 2 stroke



Model	KX60	KX65	KX80
Years	83-03	00-current	82-83
Displ. (cc)	60	65	82

Piston Kit Part No.	Piston size (mm)	Over size (mm)	Ring Set Part No.	Piston Kit Part No.	Piston size (mm)	Over size (mm)	Ring Set Part No.	Piston Kit Part No.	Piston size (mm)	Over size (mm)	Ring Set Part No.
8232DA	42.95	Std.	RSB4300	8196DA	44.45	Std.	RSB4450	8200DA	47.95	Std.	RSB4800
8232D050	43.45	+0.50	RSB4350	8196DB	44.46	+0.01	RSB4450	8200D050	48.45	+0.50	RSB4850
8232D100	43.95	+1.00	RSB4400	8196DC	44.47	+0.02	RSB4450	8200D100	48.95	+1.00	RSB4900
8232D200	44.95	+2.00	RSB4500	8196DD	44.48	+0.03	RSB4450				

	set includes		
Clip Part No.	CW12	CW12	CW14
Pin Part No.	WP091	WP091	WP058
Rings	see above	see above	see above
Price-Code	1/1	1	1/1
Stroke	41.60	41.60	45.80
Comp. Height (mm)	23.50	23.60	26.00

	extra parts		
Wössner Connecting rods	P2001	P2001 `00-current	P2036 `82-97
Needle bearing	N1036	N1036	N1007
Main bearing	2 x MB6304C3	2 x MB6304C3	2 x MB6304C3

Kawasaki® - 2 stroke



Model	KX80	KX80 U.S. Bore	KX80 International Bore
Years	84-85	88-00	88-00
Displ. (cc)	82	82	79

Piston Kit Part No.	Piston size (mm)	Over size (mm)	Ring Set Part No.	Piston Kit Part No.	Piston size (mm)	Over size (mm)	Ring Set Part No.	Piston Kit Part No.	Piston size (mm)	Over size (mm)	Ring Set Part No.
8201DA	47.95	Std.	RDB4800	8197DA	47.95	Std.	RSB4800	8234DA	46.95	Std.	RSB4700
8201D050	48.45	+0.50	RDB4850	8197DB	47.96	+0.01	RSB4800	8234DB	46.96	+0.01	RSB4700
8201D100	48.95	+1.00	RDB4900	8197DC	47.97	+0.02	RSB4800	8234DC	46.97	+0.02	RSB4700
				8197D050	48.45	+0.50	RSB4850				
				8197D100	48.95	+1.00	RSB4900				
				8197D400	51.95	+4.00	RSB5200				
				8197D450	52.45	+4.50	RSB5250				

set includes			
Clip Part No.	CW14	CW14	CW14
Pin Part No.	WP058	WP058	WP058
Rings	see above	see above	see above
Price-Code	1/1	1/1	1
Stroke	45.80	45.80	45.80
Comp. Height (mm)	26.10	26.00	26.00

extra parts			
Wössner Connecting rods	P2036 `82-97	P2005 `98-00	P2036 `82-97 P2005 `98-00
Needle bearing	N1007	N1007	N1007
Main bearing	2 x MB6304C3	2 x MB6304C3	2 x MB6304C3

Kawasaki® - 2 stroke



Model	KX85	KX100	KX125
Years	01-current	95-current	78-81
Displ. (cc)	85	100	125

Piston Kit Part No.	Piston size (mm)	Over size (mm)	Ring Set Part No.	Piston Kit Part No.	Piston size (mm)	Over size (mm)	Ring Set Part No.	Piston Kit Part No.	Piston size (mm)	Over size (mm)	Ring Set Part No.
8102DA	48.45	Std.	RSB4850	8254DA	52.45	Std.	RSB5250	8202DA	55.94	Std.	RDB5600
8102DB	48.46	+0.01	RSB4850	8254D050	52.95	+0.50	RSB5300	8202D050	56.44	+0.50	RDB5650
8102DC	48.47	+0.02	RSB4850	8254D100	53.45	+1.00	RSB5350				
8102D350	51.95	+3.50	RSB5200	8254D150	53.95	+1.50	RSB5400				
8102D400	52.45	+4.00	RSB5250	8254D200	54.45	+2.00	RSB5450				
8102D450	52.95	+4.50	RSB5300								

set includes			
Clip Part No.	CW14	CW14	CW16
Pin Part No.	WP058	WP025	WP036
Rings	see above	see above	see above
Price-Code	1	1	2/1
Stroke	45.80	45.80	50.80
Comp. Height (mm)	26.00	26.00	29.70

extra parts			
Wössner Connecting rods	P2005 '01-current	P2036 '82-97 P2005 '98-13	P2037
Needle bearing	N1007	N1007	N1013
Main bearing	2 x MB6304C3	2 x MB6304C3	2 x MB6304C3

Kawasaki® - 2 stroke



Model	KX125	KX125	KX125
Years	82-85	86	87
Displ. (cc)	125	125	125

Piston Kit Part No.	Piston size (mm)	Over size (mm)	Ring Set Part No.	Piston Kit Part No.	Piston size (mm)	Over size (mm)	Ring Set Part No.	Piston Kit Part No.	Piston size (mm)	Over size (mm)	Ring Set Part No.
8210DA	55.94	Std.	RDB5600	8211DA	55.94	Std.	RSB5600	8128DA	55.94	Std.	RSB5600
8210DB	55.95	+0.01	RDB5600	8211DB	55.95	+0.01	RSB5600	8128DB	55.95	+0.01	RSB5600
8210D050	56.44	+0.50	RDB5650	8211D050	56.44	+0.50	RSB5650	8128D050	56.44	+0.50	RSB5650
8210D100	56.94	+1.00	RDB5700	8211D100	56.94	+1.00	RSB5700	8128D100	56.94	+1.00	RSB5700
								8128D150	57.44	+1.50	RSB5750
								8128D200	57.94	+2.00	RSB5800

	set includes		
Clip Part No.	CW16	CW16	CW16
Pin Part No.	WP036	WP036	WP036
Rings	see above	see above	see above
Price-Code	2/1	2/1	2/1
Stroke	50.60	50.60	50.60
Comp. Height (mm)	29.70	29.70	29.50

	extra parts		
Wössner Connecting rods	P2037	P2037	P2037
Needle bearing	N1016	N1016	N1016
Main bearing	1 x MB6305C3 Left 1 x MB6304C3 Right '82-84 1 x MB6322C3 Right '85-87	1 x MB6305C3 Left 1 x MB6322C3 Right	1 x MB6305C3 Left 1 x MB6322C3 Right

Kawasaki® - 2 stroke



Model	KX125	KX125	KX125
Years	88-89	90	91
Displ. (cc)	125	125	125

Piston Kit Part No.	Piston size (mm)	Over size (mm)	Ring Set Part No.	Piston Kit Part No.	Piston size (mm)	Over size (mm)	Ring Set Part No.	Piston Kit Part No.	Piston size (mm)	Over size (mm)	Ring Set Part No.
8130DA	55.94	Std.	RSB5600	8106DA	55.94	Std.	RSB5600	8108DA	55.94	Std.	RSB5600
8130DB	55.95	+0.01	RSB5600	8106DB	55.95	+0.01	RSB5600	8108DB	55.95	+0.01	RSB5600
8130DC	55.96	+0.02	RSB5600	8106D050	56.44	+0.50	RSB5650	8108D050	56.44	+0.50	RSB5650
8130D050	56.44	+0.50	RSB5650	8106D100	56.94	+1.00	RSB5700	8108D100	56.94	+1.00	RSB5700
8130D100	56.94	+1.00	RSB5700								

set includes			
Clip Part No.	CW16	CW16	CW16
Pin Part No.	WP036	WP036	WP036
Rings	see above	see above	see above
Price-Code	2	2	2
Stroke	50.60	50.60	50.60
Comp. Height (mm)	29.50	29.50	29.50

extra parts			
Wössner Connecting rods	P2033	P2033	P2033
Needle bearing	N1016	N1016	N1016
Main bearing	2 x MB6322C4	2 x MB6322C4	2 x MB6322C4

Kawasaki® - 2 stroke



Model	KX125	KX125	KX125
Years	92-93	94	95-97
Displ. (cc)	125	125	125

Piston Kit Part No.	Piston size (mm)	Over size (mm)	Ring Set Part No.	Piston Kit Part No.	Piston size (mm)	Over size (mm)	Ring Set Part No.	Piston Kit Part No.	Piston size (mm)	Over size (mm)	Ring Set Part No.
8110DA	53.94	Std.	RSB5400	8111DA	53.94	Std.	RSB5400	8112DA	53.94	Std.	RSB5400
8110DB	53.95	+0.01	RSB5400	8111DB	53.95	+0.01	RSB5400	8112DB	53.95	+0.01	RSB5400
8110DC	53.96	+0.02	RSB5400	8111DC	53.96	+0.02	RSB5400	8112DC	53.96	+0.02	RSB5400
8110D050	54.44	+0.50	RSB5450	8111D050	54.44	+0.50	RSB5450	8112D050	54.44	+0.50	RSB5450
8110D100	54.94	+1.00	RSB5500	8111D100	54.94	+1.00	RSB5500	8112D100	54.94	+1.00	RSB5500
								8112D200	55.94	+2.00	RSB5600

set includes			
Clip Part No.	CW16	CW15	CW15
Pin Part No.	WP036	WP032	WP032
Rings	see above	see above	see above
Price-Code	2	2/1	2
Stroke	54.50	54.50	54.50
Comp. Height (mm)	29.00	29.50	29.50

extra parts			
Wössner Connecting rods	P2037	-	-
Needle bearing	N1016	N1010	N1010
Main bearing	2 x MB6322C4	2 x MB6322C4	2 x MB6322C4

Kawasaki® - 2 stroke



Model	KX125	KX125	KX125
Years	98	99-00	01-02
Displ. (cc)	125	125	125

Piston Kit Part No.	Piston size (mm)	Over size (mm)	Ring Set Part No.	Piston Kit Part No.	Piston size (mm)	Over size (mm)	Ring Set Part No.	Piston Kit Part No.	Piston size (mm)	Over size (mm)	Ring Set Part No.
8113DA	53.94	Std.	RSB5400	8057DA	53.95	Std.	RSB5400	8062DA	53.95	Std.	RSB5400
8113DB	53.95	+0.01	RSB5400	8057DB	53.96	+0.01	RSB5400	8062DB	53.96	+0.01	RSB5400
8113DC	53.96	+0.02	RSB5400	8057DC	53.97	+0.02	RSB5400	8062DC	53.97	+0.02	RSB5400
8113D200	55.94	+2.00	RSB5600	8057D200	55.95	+2.00	RSB5600	8062D200	55.95	+2.00	RSB5600

	set includes		
Clip Part No.	CW15	CW15	CW15
Pin Part No.	WP032	WP032	WP032
Rings	see above	see above	see above
Price-Code	2/1	2	2
Stroke	54.50	54.50	54.50
Comp. Height (mm)	29.50	29.30	29.30

	extra parts		
Wössner Connecting rods	P2034	P2034	P2034
Needle bearing	N1010	N1010	N1010
Main bearing	2 x MB6322C4	2 x MB6322C4	2 x MB6322C4

Kawasaki® - 2 stroke



Model	KX125	KX125	KMX125
Years	03	04-08	86-05
Displ. (cc)	125	125	125

Piston Kit Part No.	Piston size (mm)	Over size (mm)	Ring Set Part No.	Piston Kit Part No.	Piston size (mm)	Over size (mm)	Ring Set Part No.	Piston Kit Part No.	Piston size (mm)	Over size (mm)	Ring Set Part No.
8073DA	53.95	Std.	RSB5400	8167DA	53.95	Std.	RSB5400	8007DA	53.94	Std.	RDB5400
8073DB	53.96	+0.01	RSB5400	8167DB	53.96	+0.01	RSB5400	8007DB	53.95	+0.01	RDB5400
8073DC	53.97	+0.02	RSB5400	8167DC	53.97	+0.02	RSB5400	8007DC	53.96	+0.02	RDB5400
8073D200	55.95	+2.00	RSB5600	8167D200	55.95	+2.00	RSB5600	8007D050	54.44	+0.50	RDB5450
								8007D100	54.94	+1.00	RDB5500
								8007D200	55.94	+2.00	RDB5600

set includes			
Clip Part No.	CW15	CW15	CW16
Pin Part No.	WP032	WP032	WP036
Rings	see above	see above	see above
Price-Code	2	2	2
Stroke	54.50	54.50	54.40
Comp. Height (mm)	29.30	29.30	32.80

extra parts			
Wössner Connecting rods	P2010	P2010	-
Needle bearing	N1010	N1010	N1016
Main bearing	2 x MB6322C4	2 x MB6322C4	-

Kawasaki® - 2 stroke



Model	KDX125	KD125 / KE125 / KS125	KDX200
Years	90-05	74-84	86-06
Displ. (cc)	125	125	198

Piston Kit Part No.	Piston size (mm)	Over size (mm)	Ring Set Part No.	Piston Kit Part No.	Piston size (mm)	Over size (mm)	Ring Set Part No.	Piston Kit Part No.	Piston size (mm)	Over size (mm)	Ring Set Part No.
8008DA	55.94	Std.	RDB5600	8032DA	55.94	Std.	RDB5600	8093DA	65.94	Std.	RDB6600
8008DB	55.95	+0.01	RDB5600	8032D050	56.44	+0.50	RDB5650	8093DB	65.95	+0.01	RDB6600
8008DC	55.96	+0.02	RDB5600	8032D100	56.94	+1.00	RDB5700	8093DC	65.96	+0.02	RDB6600
8008D050	56.44	+0.50	RDB5650	8032D150	57.44	+1.50	RDB5750	8093D050	66.44	+0.50	RDB6650
8008D100	56.94	+1.00	RDB5700	8032D200	57.94	+2.00	RDB5800	8093D100	66.94	+1.00	RDB6700
								8093D200	67.94	+2.00	RDB6800

set includes			
Clip Part No.	CW16	CW14	CW16
Pin Part No.	WP036	WP025	WP027
Rings	see above	see above	see above
Price-Code	2	2	3
Stroke	50.60	50.60	58.00
Comp. Height (mm)	29.50	34.00	32.00

extra parts			
Wössner Connecting rods	P2033	-	P2033 '89-06
Needle bearing	N1016	-	N1016
Main bearing	-	-	-

Kawasaki® - 2 stroke



Model	KDX220R	KDX250 / KX250	KR1 250
Years	98-05	80-82 / 78-86	88-93
Displ. (cc)	216	249	249

Piston Kit Part No.	Piston size (mm)	Over size (mm)	Ring Set Part No.	Piston Kit Part No.	Piston size (mm)	Over size (mm)	Ring Set Part No.	Piston Kit Part No.	Piston size (mm)	Over size (mm)	Ring Set Part No.
8092DA	68.94	Std.	RDB6900	8203DA	69.94	Std.	RDB7000	8043DA	55.94	Std.	RDB5600
8092DB	68.95	+0.01	RDB6900	8203D050	70.44	+0.50	RDB7050	8043D050	56.44	+0.50	RDB5650
8092DC	68.96	+0.02	RDB6900	8203D100	70.94	+1.00	RDB7100				
8092D100	69.94	+1.00	RDB7000	8203D150	71.44	+1.50	RDB7150				
				8203D200	71.94	+2.00	RDB7200				

	set includes		
Clip Part No.	CW16	CW18	CW16
Pin Part No.	WP027	WP033	WP036
Rings	see above	see above	see above
Price-Code	3	3/1	2
Stroke	58.00	64.90	50.60
Comp. Height (mm)	32.00	31.50	29.50

	extra parts		
Wössner Connecting rods	P2033 '97-05	-	-
Needle bearing	N1016	-	-
Main bearing	2 x MB6305JR2	2 x MB6305C3	-

Kawasaki® - 2 stroke



Model	KX250	KX250 / KDX250	KX250
Years	87-89	90-94 / 90-94	92-01
Displ. (cc)	249	250	249

Piston Kit Part No.	Piston size (mm)	Over size (mm)	Ring Set Part No.	Piston Kit Part No.	Piston size (mm)	Over size (mm)	Ring Set Part No.	Piston Kit Part No.	Piston size (mm)	Over size (mm)	Ring Set Part No.
8129DA	67.34	Std.	RDB6740	8109DA	67.34	Std.	RDB6740	8026DA	66.34	Std.	RDB6640
8129DB	67.35	+0.01	RDB6740	8109DB	67.35	+0.01	RDB6740	8026DB	66.35	+0.01	RDB6640
8129D060	67.94	+0.60	RDB6800	8109DC	67.36	+0.02	RDB6740	8026DC	66.36	+0.02	RDB6640
8129D110	68.44	+1.10	RDB6850	8109D060	67.94	+0.60	RDB6800	8026D060	66.94	+0.60	RDB6700
8129D160	68.94	+1.60	RDB6900	8109D110	68.44	+1.10	RDB6850	8026D110	67.44	+1.10	RDB6750
8129D210	69.44	+2.10	RDB6950					8026D160	67.94	+1.60	RDB6800
								8026D210	68.44	+2.10	RDB6850

	set includes		
Clip Part No.	CW18	CW18	CW18
Pin Part No.	WP033	WP033	WP033
Rings	see above	see above	see above
Price-Code	3/1	3	3
Stroke	70.00	70.00	72.00
Comp. Height (mm)	37.00	37.00	37.00

	extra parts		
Wössner Connecting rods	P2022	P2022	P2022
Needle bearing	N1049	N1049	N1049
Main bearing	2 x MB6328C3	2 x MB6328C3	2 x MB6328C3

Kawasaki® - 2 stroke



Model	KX250	KX250	KX500
Years	02-04	05-08	88-04
Displ. (cc)	249	249	500

Piston Kit Part No.	Piston size (mm)	Over size (mm)	Ring Set Part No.	Piston Kit Part No.	Piston size (mm)	Over size (mm)	Ring Set Part No.	Piston Kit Part No.	Piston size (mm)	Over size (mm)	Ring Set Part No.
8088DA	66.34	Std.	RDB6640	8168DA	66.34	Std.	RDB6640	8228DA	85.93	Std.	RDC8600
8088DB	66.35	+0.01	RDB6640	8168DB	66.35	+0.01	RDB6640	8228D050	86.43	+0.50	RDC8650
8088DC	66.36	+0.02	RDB6640	8168DC	66.36	+0.02	RDB6640	8228D100	86.93	+1.00	RDC8700
8088D110	67.44	+1.10	RDB6750	8168DD	66.37	+0.03	RDB6640	8228D150	87.43	+1.50	RDC8750
				8168D210	68.44	+2.10	RDB6850	8228D200	87.93	+2.00	RDC8800
								8228D400	89.93	+4.00	RDC9000
								8228D500	90.93	+5.00	RDC9100

	set includes		
Clip Part No.	CW18	CW18	CW19
Pin Part No.	WP033	WP033	WP019
Rings	see above	see above	see above
Price-Code	3	3	6/1
Stroke	72.00	72.00	86.00
Comp. Height (mm)	37.00	37.00	37.50

	extra parts		
Wössner Connecting rods	P2022	P2022	P2039 '85-04
Needle bearing	N1049	N1049	N1052
Main bearing	2 x MB6328C4	2 x MB6328C4	2 x MB6306C3

Kawasaki® - 4 stroke



Alle Angaben zum Verdichtungsverhältnis, Domvolumen und Kolbengewicht beziehen sich nur auf unser Standardmaß DA.

All information on compression ratio, dome volume and piston weight is valid for our standard size DA only.

Model	KX250F	KX250F	KX250F Pro-Series
Years	04-05	06-09	06-09
Displ. (cc)	249	250	250

Piston Kit Part No.	Piston size (mm)	Over size (mm)	Ring Set Part No.	Piston Kit Part No.	Piston size (mm)	Over size (mm)	Ring Set Part No.	Piston Kit Part No.	Piston size (mm)	Over size (mm)	Ring Set Part No.
8582DA	76.96	Std.	770XAS-2	8635DA	76.96	Std.	770XAS-2	8686DA	76.96	Std.	770XAS-2
8582DB	76.97	+0.01	770XAS-2	8635DB	76.97	+0.01	770XAS-2	8686DB	76.97	+0.01	770XAS-2
8582DC	76.98	+0.02	770XAS-2	8635DC	76.98	+0.02	770XAS-2	8686DC	76.98	+0.02	770XAS-2
8582D600	82.96	+6.00	830XSY	8635D300	79.96	+3.00	800XDS				
				8635D600	82.96	+6.00	830XDS				

	set includes		
Clip Part No.	CW16	CW16	CW16
Pin Part No.	WP059	WP059	WP070
Rings	see above	see above	see above
Price-Code	DA - DC = 5 / D600 = 7	5	5
Stroke	53.60	53.60	53.60
Wössner/ OEM Comp. ratio	12.1:1 12.6:1	13.5:1 13.2:1	13.9:1 13.2:1
Dome Volume (CC)	-5.9 cm ³	-3.9 cm ³	-3.4 cm ³
Comp. Height (mm)	19.60	19.60	19.60

	extra parts		
Wössner Connecting rods	P4002	P4002	P4002
Needle bearing	-	-	-
Main bearing	2 x MB6206RSI	2 x MB6206RSI	2 x MB6206RSI

Kawasaki® - 4 stroke



Alle Angaben zum Verdichtungsverhältnis, Domvolumen und Kolbengewicht beziehen sich nur auf unser Standardmaß DA.

All information on compression ratio, dome volume and piston weight is valid for our standard size DA only.

Model	KX250F	KX250F Pro Series	KX250F
Years	10	10	11-13
Displ. (cc)	250	250	249

Piston Kit Part No.	Piston size (mm)	Over size (mm)	Ring Set Part No.	Piston Kit Part No.	Piston size (mm)	Over size (mm)	Ring Set Part No.	Piston Kit Part No.	Piston size (mm)	Over size (mm)	Ring Set Part No.
8777DA	76.96	Std.	770XAS-2	8778DA	76.96	Std.	770XAS-2	8814DA	76.96	Std.	770XAS-2
8777DB	76.97	+0.01	770XAS-2	8778DB	76.97	+0.01	770XAS-2	8814DB	76.97	+0.01	770XAS-2
8777DC	76.98	+0.02	770XAS-2	8778DC	76.98	+0.02	770XAS-2	8814DC	76.98	+0.02	770XAS-2
8777D300	79.96	+3.00	800XDS					8814D300	79.96	+3.00	800XAS-2

	set includes		
Clip Part No.	CW16	CW16	CW16
Pin Part No.	WP070	WP070	WP070
Rings	see above	see above	see above
Price-Code	5	5	5
Stroke	53.60	53.60	53.60
Wössner/ OEM Comp. ratio	13.2:1 13.2:1	13.9:1 13.2:1	13.5:1 13.5:1
Dome Volume (CC)	-2.5 cm ³	-1.4 cm ³	-2.8 cm ³
Comp. Height (mm)	19.60	19.60	19.60

	extra parts		
Wössner Connecting rods	P4039 `10-current	P4039 `10-current	P4039 `10-current
Needle bearing	-	-	-
Main bearing	2 x MB6206RSI	2 x MB6206RSI	2 x MB6206RSI

Kawasaki® - 4 stroke



Alle Angaben zum Verdichtungsverhältnis, Domvolumen und Kolbengewicht beziehen sich nur auf unser Standardmaß DA.

All information on compression ratio, dome volume and piston weight is valid for our standard size DA only.

Model	KX250F Pro Series	KLX300R	KLX400R
Years	11-current	97-06	03-06
Displ. (cc)	250	290	398

Piston Kit Part No.	Piston size (mm)	Over size (mm)	Ring Set Part No.	Piston Kit Part No.	Piston size (mm)	Over size (mm)	Ring Set Part No.	Piston Kit Part No.	Piston size (mm)	Over size (mm)	Ring Set Part No.
8816DA	76.96	Std.	770XAS-2	8644DA	77.94	Std.	780XDS	DA-DC WP029			
8816DB	76.97	+0.01	770XAS-2	8644D200	79.94	+2.00	800XDS	8565DA	89.94	Std.	900XSY
8816DC	76.98	+0.02	770XAS-2					8565DB	89.95	+0.01	900XSY
								8565DC	89.96	+0.02	900XSY
								DA-DC WP038			
								8565D400	93.94	+4.00	940XSY

set includes			
Clip Part No.	CW16	CW17	CW20
Pin Part No.	WP070	WP090	WP029 / WP038
Rings	see above	see above	see above
Price-Code	5	7/1	7/1
Stroke	53.60	61.20	62.60
Wössner/ OEM Comp. ratio	14.2:1 13.5:1	11.0:1 11.0:1	12.2:1 12.2:1
Dome Volume (CC)	-1.7 cm ³	-4.8 cm ³	-2.0 cm ³
Comp. Height (mm)	19.60	23.00	25.30

extra parts			
Wössner Connecting rods	P4039 `10-current	-	P4009
Needle bearing	-	-	-
Main bearing	2 x MB6206RSI	-	-

Kawasaki® - 4 stroke



Alle Angaben zum Verdichtungsverhältnis, Domvolumen und Kolbengewicht beziehen sich nur auf unser Standardmaß DA.

All information on compression ratio, dome volume and piston weight is valid for our standard size DA only.

Model	KLX400R ProSeries 2. Ring	KX450F	KX450F Pro Series
Years	03-06	06-08	06-08
Displ. (cc)	398	449	449

Piston Kit Part No.	Piston size (mm)	Over size (mm)	Ring Set Part No.	Piston Kit Part No.	Piston size (mm)	Over size (mm)	Ring Set Part No.	Piston Kit Part No.	Piston size (mm)	Over size (mm)	Ring Set Part No.
8567DA	89.94	Std.	900XSY	8648DA	95.95	Std.	960ADS-2	8670DA	95.95	Std.	960ADS-2
8567DB	89.95	+0.01	900XSY	8648DB	95.96	+0.01	960ADS-2	8670DB	95.96	+0.01	960ADS-2
8567DC	89.96	+0.02	900XSY	8648DC	95.97	+0.02	960ADS-2	8670DC	95.97	+0.02	960ADS-2
8567D550	95.44	+5.50	955XSY	8648D200	97.95	+2.00	980ADS-2				

	set includes		
Clip Part No.	CW20	CW19	CW19
Pin Part No.	WP029	WP028	WP028
Rings	see above	see above	see above
Price-Code	7	7	7
Stroke	62.60	62.10	62.10
Wössner/ OEM Comp. ratio	13.5:1 12.2:1	12.0:1 12.0:1	13.0:1 12.0:1
Dome Volume (CC)	+0.5 cm ³	+0.2 cm ³	+5.6 cm ³
Comp. Height (mm)	25.30	23.60	23.60

	extra parts		
Wössner Connecting rods	P4009	P4010 `07-08	P4010 `07-08
Needle bearing	-	-	-
Main bearing	-	-	-

Kawasaki® - 4 stroke



Alle Angaben zum Verdichtungsverhältnis, Domvolumen und Kolbengewicht beziehen sich nur auf unser Standardmaß DA.

All information on compression ratio, dome volume and piston weight is valid for our standard size DA only.



Model	KX450F	KX450F Pro Series	KX450F
Years	09-12	09-12	13-current
Displ. (cc)	449	449	449

Piston Kit Part No.	Piston size (mm)	Over size (mm)	Ring Set Part No.	Piston Kit Part No.	Piston size (mm)	Over size (mm)	Ring Set Part No.	Piston Kit Part No.	Piston size (mm)	Over size (mm)	Ring Set Part No.
8738DA	95.96	Std.	960ADS-2	8769DA	95.96	Std.	960ADS-2	8890DA	95.96	Std.	960ADS-2
8738DB	95.97	+0.01	960ADS-2	8769DB	95.97	+0.01	960ADS-2	8890DB	95.97	+0.01	960ADS-2
8738DC	95.98	+0.02	960ADS-2	8769DC	95.98	+0.02	960ADS-2	8890DC	95.98	+0.02	960ADS-2

	set includes		
Clip Part No.	CW19	CW19	CW19
Pin Part No.	WP071	WP071	WP071
Rings	see above	see above	see above
Price-Code	7	7	7
Stroke	62.10	62.10	62.10
Wössner/ OEM Comp. ratio	12.5:1 12.5:1	13.5:1 12.5:1	12.5:1 12.5:1
Dome Volume (CC)	+1.0 cm ³	+4.2 cm ³	+1.0 cm ³
Comp. Height (mm)	23.70	23.70	23.70

	extra parts		
Wössner Connecting rods	P4020 `09-current	P4020 `09-current	P4020 `09-current
Needle bearing	-	-	-
Main bearing	-	-	-

Kawasaki® - 4 stroke



Alle Angaben zum Verdichtungsverhältnis, Domvolumen und Kolbengewicht beziehen sich nur auf unser Standardmaß DA.

All information on compression ratio, dome volume and piston weight is valid for our standard size DA only.

Model	KX450F Pro Series New!	KX450F GP Racer New!	KLR600
Years	13-current	13-current	84-85
Displ. (cc)	449	449	564

Piston Kit Part No.	Piston size (mm)	Over size (mm)	Ring Set Part No.	Piston Kit Part No.	Piston size (mm)	Over size (mm)	Ring Set Part No.	Piston Kit Part No.	Piston size (mm)	Over size (mm)	Ring Set Part No.
8891DA	95.96	Std.	960ADS-2	8908DA	95.96	Std.	RIK96.00E	8509D100	96.94	+1.00	970XSY
8891DB	95.97	+0.01	960ADS-2					8509D150	97.44	+1.50	975XSY
8891DC	95.98	+0.02	960ADS-2					8509D200	97.94	+2.00	980XSY

	set includes		
Clip Part No.	CW19	CW19	CW23
Pin Part No.	WP071	WP071DLC	WP008
Rings	see above	see above	see above
Price-Code	7	7	7
Stroke	62.10	62.10	78.00
Wössner/ OEM Comp. ratio	13.5:1 12.5:1	14.0:1 12.5:1	9.5:1 9.5:1
Dome Volume (CC)	+4.2 cm ³	+0.0 cm ³	+15.3 cm ³
Comp. Height (mm)	23.70	23.70	31.00
Gewicht (g)	-	260.00	-

	extra parts		
Wössner Connecting rods	P4020 `09-current	P4020 `09-current	-
Needle bearing	-	-	-
Main bearing	-	-	-

Kawasaki® - 4 stroke



Alle Angaben zum Verdichtungsverhältnis, Domvolumen und Kolbengewicht beziehen sich nur auf unser Standardmaß DA.

All information on compression ratio, dome volume and piston weight is valid for our standard size DA only.

Model	KLX650 / KLX650R	KLR650 Tengai
Years	93-96 / 93-96	87-07
Displ. (cc)	651	651

Piston Kit Part No.	Piston size (mm)	Over size (mm)	Ring Set Part No.	Piston Kit Part No.	Piston size (mm)	Over size (mm)	Ring Set Part No.
8512DA	99.94	Std.	1000XS	8523DA	99.94	Std.	1000XS
8512DB	99.95	+0.01	1000XS	8523DB	99.95	+0.01	1000XS
8512DC	99.96	+0.02	1000XS	8523DC	99.96	+0.02	1000XS
8512D100	100.94	+1.00	1010XS	8523D100	100.94	+1.00	1010XS
8512D200	101.94	+2.00	1020XS	8523D200	101.94	+2.00	1020XS

set includes		
Clip Part No.	CW24	CW24
Pin Part No.	WP057	WP057
Rings	see above	see above
Price-Code	7/1	7/1
Stroke	83.00	83.00
Wössner/ OEM Comp. ratio	9.5:1 9.5:1	11.0:1 9.5:1
Dome Volume (CC)	-24.9 cm ³	+9.8 cm ³
Comp. Height (mm)	29.50	31.00

extra parts		
Wössner Connecting rods	-	-
Needle bearing	-	-
Main bearing	-	-

KTM® - 2 stroke



Model	SX50	SX50	SX60
Years	01-08	09-current	97-99
Displ. (cc)	50	50	60

Piston Kit Part No.	Piston size (mm)	Over size (mm)	Ring Set Part No.	Piston Kit Part No.	Piston size (mm)	Over size (mm)	Ring Set Part No.	Piston Kit Part No.	Piston size (mm)	Over size (mm)	Ring Set Part No.
8225DA	39.46	Std.	RSB3950	8262DA	39.46	Std.	RSB3950	8240DA	43.45	Std.	RSB4350
8225DB	39.47	+0.01	RSB3950	8262DB	39.47	+0.01	RSB3950	8240DB	43.46	+0.01	RSB4350
8225DC	39.48	+0.02	RSB3950	8262DC	39.48	+0.02	RSB3950	8240DC	43.47	+0.02	RSB4350

	set includes		
Clip Part No.	CW12	CW12	CW12
Pin Part No.	WP101	WP101	WP091
Rings	see above	see above	see above
Price-Code	1	1	1
Stroke	40.00	40.00	40.00
Comp. Height (mm)	21.60	21.60	21.60

	extra parts		
Wössner Connecting rods	P2053	P2053 `01-current	P2002
Needle bearing	-	-	N1037
Main bearing	2 x MB6203C3	2 x MB6203C3	2 x MB6304C3

KTM® - 2 stroke



Model	SX65	SX65	SX85
Years	00-08	09-current	03-current
Displ. (cc)	63	63	84

Piston Kit Part No.	Piston size (mm)	Over size (mm)	Ring Set Part No.	Piston Kit Part No.	Piston size (mm)	Over size (mm)	Ring Set Part No.	Piston Kit Part No.	Piston size (mm)	Over size (mm)	Ring Set Part No.
8198DA	44.96	Std.	RSB4500	8241DA	44.96	Std.	RSB4500	8147DA	46.95	Std.	RSB4700
8198DB	44.97	+0.01	RSB4500	8241DB	44.97	+0.01	RSB4500	8147DB	46.96	+0.01	RSB4700
8198DC	44.98	+0.02	RSB4500	8241DC	44.98	+0.02	RSB4500	8147DC	46.97	+0.02	RSB4700
8198DD	44.99	+0.03	RSB4500	8241DD	44.99	+0.03	RSB4500				
8198DE	45.00	+0.04	RSB4500	8241DE	45.00	+0.04	RSB4500				

	set includes		
Clip Part No.	CW12	CW12	CW14
Pin Part No.	WP091	WP091	WP058
Rings	see above	see above	see above
Price-Code	1	1	1
Stroke	40.00	40.80	48.95
Comp. Height (mm)	21.70	21.60	24.00

	extra parts		
Wössner Connecting rods	P2054 `00-02 P2002 `03-08	P2055 `09-current	P2006 `03-12 P2065 `13-current
Needle bearing	N1037	N1037	N1006
Main bearing	2 x MB6304C3	2 x MB6304C3	2 x MB6304C3

KTM® - 2 stroke



Model	SX105 Single Ring Will not fit 85cc over bore	LC2	SX125
Years	04-11	all	84-86
Displ. (cc)	104	124	125

Piston Kit Part No.	Piston size (mm)	Over size (mm)	Ring Set Part No.	Piston Kit Part No.	Piston size (mm)	Over size (mm)	Ring Set Part No.	Piston Kit Part No.	Piston size (mm)	Over size (mm)	Ring Set Part No.
8224DA	51.94	Std.	RSB5200	8002DA	55.94	Std.	RDB5600	8030DA	53.94	Std.	RSB5400
8224DB	51.95	+0.01	RSB5200	8002D025	56.19	+0.25	RDB5625	8030DB	53.95	+0.01	RSB5400
8224DC	51.96	+0.02	RSB5200	8002D050	56.44	+0.50	RDB5650	8030DC	53.96	+0.02	RSB5400
				8002D075	56.69	+0.75	RDB5675				
				8002D100	56.94	+1.00	RDB5700				
				8002D125	57.19	+1.25	RDB5725				
				8002D150	57.44	+1.50	RDB5750				
				8002D200	57.94	+2.00	RDB5800				
				8002D250	58.44	+2.50	RDB5850				
				8002D300	58.94	+3.00	RDB5900				
				8002D400	59.94	+4.00	RDB6000				
				8002D450	60.44	+4.50	RDB6050				
				8002D500	60.94	+5.00	RDB6100				

	set includes		
Clip Part No.	CW14	CW16	CW15
Pin Part No.	WP058	WP036	WP032
Rings	see above	see above	see above
Price-Code	2/1	2	2/1
Stroke	49.00	50.70	54.50
Comp. Height (mm)	24.00	29.90	30.00

	extra parts		
Wössner Connecting rods	P2006 `04-11	-	-
Needle bearing	N1006	-	-
Main bearing	2 x MB6304C3	-	-

KTM® - 2 stroke



Model	GS125 / MX125	EGS125 / GS125 / SX125 / EXC125	EXC125
Years	87-93	94-97 / 94-97 / 98-00 / 98-00	01-current
Displ. (cc)	125	125	125

Piston Kit Part No.	Piston size (mm)	Over size (mm)	Ring Set Part No.	Piston Kit Part No.	Piston size (mm)	Over size (mm)	Ring Set Part No.	Piston Kit Part No.	Piston size (mm)	Over size (mm)	Ring Set Part No.
8011DA	54.19	Std.	RDB5425	8029DA	54.19	Std.	RSB5425	8174DA	53.95	Std.	RSV5400
8011DB	54.20	+0.01	RDB5425	8029DB	54.20	+0.01	RSB5425	8174DB	53.96	+0.01	RSV5400
8011DC	54.21	+0.02	RDB5425	8029DC	54.21	+0.02	RSB5425	8174DC	53.97	+0.02	RSV5400
8011DD	54.22	+0.03	RDB5425	8029D050	54.69	+0.50	RSB5475	8174DD	53.98	+0.03	RSV5400
8011D050	54.69	+0.50	RDB5475	8029D200	56.19	+2.00	RSB5625	8174D050	54.45	+0.50	RDB5450
								8174D100	54.95	+1.00	RDB5500

set includes			
Clip Part No.	CW15	CW15	CW15
Pin Part No.	WP032	WP032	WP032
Rings	see above	see above	see above
Price-Code	2	2	2
Stroke	54.10	54.10	54.50
Comp. Height (mm)	28.00	28.00	29.50

extra parts			
Wössner Connecting rods	P2056	P2056 '89-97 P2011 '98-06	P2011 '98-06 P2012 '07-current
Needle bearing	-	-	N1010
Main bearing	-	-	1 x MBNJ206 Left 1 x MB63052RS Right

KTM® - 2 stroke



Model	SX125 Single Ring	SX125 Single Ring	SX144 Single Ring
Years	01-06	07-current	07-08
Displ. (cc)	125	125	144

Piston Kit Part No.	Piston size (mm)	Over size (mm)	Ring Set Part No.	Piston Kit Part No.	Piston size (mm)	Over size (mm)	Ring Set Part No.	Piston Kit Part No.	Piston size (mm)	Over size (mm)	Ring Set Part No.
8056DA	53.95	Std.	RSV5400	8220DA	53.95	Std.	RSV5400	8222DA	55.95	Std.	RSB5600
8056DB	53.96	+0.01	RSV5400	8220DB	53.96	+0.01	RSV5400	8222DB	55.96	+0.01	RSB5600
8056DC	53.97	+0.02	RSV5400	8220DC	53.97	+0.02	RSV5400	8222DC	55.97	+0.02	RSB5600
8056D200	55.95	+2.00	RSB5600	8220D200	55.95	+2.00	RSB5600				
				8220D400	57.95	+4.00	RSB5800				

	set includes		
Clip Part No.	CW15	CW15	CW15
Pin Part No.	WP032	WP032	WP032
Rings	see above	see above	see above
Price-Code	2	2	2
Stroke	54.50	54.50	58.50
Comp. Height (mm)	29.50	29.50	29.50

	extra parts		
Wössner Connecting rods	P2011 `98-06	P2012 `07-current	P2012
Needle bearing	N1010	N1010	N1010
Main bearing	1 x MBNJ206 Left 1 x MB63052RS Right	1 x MBNJ206 Left 1 x MB63052RS Right	1 x MBNJ206 Left 1 x MB63052RS Right

KTM® - 2 stroke



New!

Model	SX150 Single Ring	175GS/MC	EXC200 / SX200
Years	09-current	77-82	98-current / 03-05
Displ. (cc)	144	171	200

Piston Kit Part No.	Piston size (mm)	Over size (mm)	Ring Set Part No.	Piston Kit Part No.	Piston size (mm)	Over size (mm)	Ring Set Part No.	Piston Kit Part No.	Piston size (mm)	Over size (mm)	Ring Set Part No.
8222DA	55.95	Std.	RSB5600	8292DA	63.44	Std.	RSB6350	8048DA	63.94	Std.	RDB6400
8222DB	55.96	+0.01	RSB5600	8292D050	63.94	+0.50	RSB6400	8048DB	63.95	+0.01	RDB6400
8222DC	55.97	+0.02	RSB5600	8292D100	64.44	+1.00	RSB6450	8048DC	63.96	+0.02	RDB6400
				8292D150	64.94	+1.50	RSB6500				
				8292D200	65.44	+2.00	RSB6550				

	set includes		
Clip Part No.	CW15	CW15	CW16
Pin Part No.	WP032	WP011	WP027
Rings	see above	see above	see above
Price-Code	2	3	3
Stroke	58.50	54.00	60.00
Comp. Height (mm)	29.50	37.00	28.00

	extra parts		
Wössner Connecting rods	P2012 `09-current	-	P2031 `98-current
Needle bearing	N1010	-	N1013
Main bearing	1 x MBNJ206 Left 1 x MB63052RS Right	-	1 x MBNJ206 Left `98-12 1 x MB63052RS Right `98-12

KTM® - 2 stroke



Model	EXC250	MX250 / MXC250 / GS240 / GS250	GS240 / GS250
Years	77-82	84	85-88
Displ. (cc)	249	249	249

Piston Kit Part No.	Piston size (mm)	Over size (mm)	Ring Set Part No.	Piston Kit Part No.	Piston size (mm)	Over size (mm)	Ring Set Part No.	Piston Kit Part No.	Piston size (mm)	Over size (mm)	Ring Set Part No.
8034D150	72.43	+1.50	RSB7250	8050D100	71.93	+1.00	RSB7200	8025DA	66.44	Std.	RSB6650
8034D200	72.93	+2.00	RSB7300	8050D150	72.43	+1.50	RSB7250	8025D050	66.94	+0.50	RSB6700
				8050D200	72.93	+2.00	RSB7300	8025D100	67.44	+1.00	RSB6750
								8025D150	67.94	+1.50	RSB6800

	set includes		
Clip Part No.	CW18	CW18	CW18
Pin Part No.	WP033	WP033	WP033
Rings	see above	see above	see above
Price-Code	3/1	3/1	3
Stroke	60.40	61.30	71.70
Comp. Height (mm)	38.00	30.00	29.70

	extra parts		
Wössner Connecting rods	-	-	-
Needle bearing	-	-	-
Main bearing	-	-	-

KTM® - 2 stroke



Model	GS250 / SX250	SX250	MXC250 / EXC250 / SX250
Years	90-94	95	96-99
Displ. (cc)	249	249	249

Piston Kit Part No.	Piston size (mm)	Over size (mm)	Ring Set Part No.	Piston Kit Part No.	Piston size (mm)	Over size (mm)	Ring Set Part No.	Piston Kit Part No.	Piston size (mm)	Over size (mm)	Ring Set Part No.
8005DA	67.44	Std.	RDB6750	8014DA	67.44	Std.	RDB6750	8016DA	67.44	Std.	RDB6750
8005DB	67.45	+0.01	RDB6750	8014DB	67.45	+0.01	RDB6750	8016DB	67.45	+0.01	RDB6750
8005DC	67.46	+0.02	RDB6750	8014DC	67.46	+0.02	RDB6750	8016DC	67.46	+0.02	RDB6750
8005D050	67.94	+0.50	RDB6800	8014D050	67.94	+0.50	RDB6800	8016D050	67.94	+0.50	RDB6800
8005D100	68.44	+1.00	RDB6850					8016D100	68.44	+1.00	RDB6850

	set includes		
Clip Part No.	CW18	CW18	CW18
Pin Part No.	WP033	WP033	WP033
Rings	see above	see above	see above
Price-Code	3	3/1	3
Stroke	69.50	69.50	69.50
Comp. Height (mm)	29.70	29.70	26.70

	extra parts		
Wössner Connecting rods	P2024	P2024	P2024
Needle bearing	N1020	N1020	N1020
Main bearing	-	-	-

KTM® - 2 stroke



Model	MXC / EXC250	SX250	SX250 / EXC250 Single Ring
Years	00-05	00-02	03-04 / 06-current
Displ. (cc)	249	249	249

Piston Kit Part No.	Piston size (mm)	Over size (mm)	Ring Set Part No.	Piston Kit Part No.	Piston size (mm)	Over size (mm)	Ring Set Part No.	Piston Kit Part No.	Piston size (mm)	Over size (mm)	Ring Set Part No.
8081DA	66.34	Std.	RDB6640	8090DA	66.34	Std.	RSB6640	8082DA	66.34	Std.	RSB6640
8081DB	66.35	+0.01	RDB6640	8090DB	66.35	+0.01	RSB6640	8082DB	66.35	+0.01	RSB6640
8081DC	66.36	+0.02	RDB6640	8090DC	66.36	+0.02	RSB6640	8082DC	66.36	+0.02	RSB6640
				8090D060	66.94	+0.60	RSB6700				

	set includes		
Clip Part No.	CW18	CW18	CW18
Pin Part No.	WP033	WP033	WP033
Rings	see above	see above	see above
Price-Code	3	3/1	3
Stroke	72.00	72.00	72.00
Comp. Height (mm)	38.00	38.00	38.00

	extra parts		
Wössner Connecting rods	P2058 '00-03 P2023 '04-13	P2058	P2023 '04-current
Needle bearing	N1020	N1020	N1020
Main bearing	2 x MBNJ206C3	-	2 x MBNJ206C3

KTM® - 2 stroke



New!

Model	SX250 / EXC250 Double Ring	Freeride 250R	GS300 / MX300 / EXC300
Years	05-current / 06-13	14-current	90-94
Displ. (cc)	249	249	297

Piston Kit Part No.	Piston size (mm)	Over size (mm)	Ring Set Part No.	Piston Kit Part No.	Piston size (mm)	Over size (mm)	Ring Set Part No.	Piston Kit Part No.	Piston size (mm)	Over size (mm)	Ring Set Part No.
8169DA	66.34	Std.	RDB6640	8169DA	66.34	Std.	RDB6640	8012DA	71.93	Std.	RDB7200
8169DB	66.35	+0.01	RDB6640	8169DB	66.35	+0.01	RDB6640	8012DB	71.94	+0.01	RDB7200
8169DC	66.36	+0.02	RDB6640	8169DC	66.36	+0.02	RDB6640	8012DC	71.95	+0.02	RDB7200
								8012D050	72.43	+0.50	RDB7250
								8012D100	72.93	+1.00	RDB7300

	set includes		
Clip Part No.	CW18	CW18	CW18
Pin Part No.	WP033	WP033	WP039
Rings	see above	see above	see above
Price-Code	3	3	6
Stroke	72.00	72.00	72.00
Comp. Height (mm)	38.00	38.00	29.70

	extra parts		
Wössner Connecting rods	P2023 `04-current	P2023 `04-current	P2024
Needle bearing	N1020	N1020	N1020
Main bearing	2 x MBNJ206C3	2 x MBNJ206C3	-

KTM® - 2 stroke



Model	GS300 / SX300	EGS300 / EXC300	EXC300 / MXC300 / XC / XC-W
Years	95	96-03	04-07
Displ. (cc)	297	297	293

Piston Kit Part No.	Piston size (mm)	Over size (mm)	Ring Set Part No.	Piston Kit Part No.	Piston size (mm)	Over size (mm)	Ring Set Part No.	Piston Kit Part No.	Piston size (mm)	Over size (mm)	Ring Set Part No.
8042DA	71.93	Std.	RDB7200	8017DA	71.93	Std.	RDB7200	8219DA	71.94	Std.	RDB7200
8042DB	71.94	+0.01	RDB7200	8017DB	71.94	+0.01	RDB7200	8219DB	71.95	+0.01	RDB7200
8042DC	71.95	+0.02	RDB7200	8017DC	71.95	+0.02	RDB7200	8219DC	71.96	+0.02	RDB7200
				8017D050	72.43	+0.50	RDB7250				
				8017D100	72.93	+1.00	RDB7300				

	set includes		
Clip Part No.	CW18	CW18	CW18
Pin Part No.	WP033	WP033	WP033
Rings	see above	see above	see above
Price-Code	6	6	6
Stroke	72.00	72.00	72.00
Comp. Height (mm)	29.70	26.70	38.00

	extra parts		
Wössner Connecting rods	P2024	P2024 '90-03	P2023
Needle bearing	N1020	N1020	N1020
Main bearing	-	-	-

KTM® - 2 stroke



Model	EXC300 / MXC300	EGS / EXC / SX360	EGS380 / EXC380 / SX380
Years	08-current	96-97	98-02
Displ. (cc)	293	353	368

Piston Kit Part No.	Piston size (mm)	Over size (mm)	Ring Set Part No.	Piston Kit Part No.	Piston size (mm)	Over size (mm)	Ring Set Part No.	Piston Kit Part No.	Piston size (mm)	Over size (mm)	Ring Set Part No.
8250DA	71.94	Std.	RDB7200	8083DA	77.94	Std.	RSC7800	8223DA	77.94	Std.	RSC7800
8250DB	71.95	+0.01	RDB7200	8083DB	77.95	+0.01	RSC7800	8223DB	77.95	+0.01	RSC7800
8250DC	71.96	+0.02	RDB7200	8083DC	77.96	+0.02	RSC7800	8223DC	77.96	+0.02	RSC7800
				8083D050	78.44	+0.50	RSC7850	8223D050	78.44	+0.50	RSC7850
				8083D100	78.94	+1.00	RSC7900				

	set includes		
Clip Part No.	CW18	CA18	CA18
Pin Part No.	WP033	WP039	WP039
Rings	see above	see above	see above
Price-Code	6	6	6
Stroke	72.00	74.00	77.00
Comp. Height (mm)	38.00	27.00	27.00

	extra parts		
Wössner Connecting rods	P2023 `04-current	-	-
Needle bearing	N1020	N1020	N1020
Main bearing	-	-	-

KTM® - 2 stroke



Model	390 New!	400 New!
Years	76-81	76-81
Displ. (cc)	389	355

Piston Kit Part No.	Piston size (mm)	Over size (mm)	Ring Set Part No.	Piston Kit Part No.	Piston size (mm)	Over size (mm)	Ring Set Part No.
8293D050	82.40	+0.50	RSC8250	8293D050	82.40	+0.50	RSC8250
8293D100	82.90	+1.00	RSC8300	8293D100	82.90	+1.00	RSC8300

set includes		
Clip Part No.	CW18	CW18
Pin Part No.	WP042	WP042
Rings	see above	see above
Price-Code	6	6
Stroke	74.00	69.00
Comp. Height (mm)	37.70	37.70

extra parts		
Wössner Connecting rods	-	-
Needle bearing	-	-
Main bearing	-	-

KTM® - 4 stroke



Alle Angaben zum Verdichtungsverhältnis, Domvolumen und Kolbengewicht beziehen sich nur auf unser Standardmaß DA.

All information on compression ratio, dome volume and piston weight is valid for our standard size DA only.

Model	EXC250 Racing	EXC250 Racing	EXC250F New!
Years	01-05	06-13	14-current
Displ. (cc)	249	249	249

Piston Kit Part No.	Piston size (mm)	Over size (mm)	Ring Set Part No.	Piston Kit Part No.	Piston size (mm)	Over size (mm)	Ring Set Part No.	Piston Kit Part No.	Piston size (mm)	Over size (mm)	Ring Set Part No.
8592DA	74.95	Std.	750XDS	DA-DC WP070				8865DA	77.96	Std.	KOENIG78-4T
8592DB	74.96	+0.01	750XDS	8645DA	75.96	Std.	760XAS	8865DB	77.97	+0.01	KOENIG78-4T
8592DC	74.97	+0.02	750XDS	8645DB	75.97	+0.01	760XAS	8865DC	77.98	+0.02	KOENIG78-4T
				8645DC	75.98	+0.02	760XAS				
				D400 WP059							
				8645D400	79.96	+4.00	800XDS				

set includes			
Clip Part No.	CW20	CW16	CW16
Pin Part No.	WP029	WP070 / WP059	WP070
Rings	see above	see above	see above
Price-Code	5/1	5/1	5/2
Stroke	56.50	54.80	52.30
Wössner/ OEM Comp. ratio	12.0:1 12.0:1	12.9:1 12.8:1	13.2:1 13.9:1
Dome Volume (CC)	+4.1 cm ³	1.2 cm ³	-2.1 cm ³
Comp. Height (mm)	25.30	19.50	19.50

extra parts			
Wössner Connecting rods	P4048	P4003	P4059
Needle bearing	-	-	-
Main bearing	2 x MBNJ206	-	-

KTM® - 4 stroke



Alle Angaben zum Verdichtungsverhältnis, Domvolumen und Kolbengewicht beziehen sich nur auf unser Standardmaß DA.

All information on compression ratio, dome volume and piston weight is valid for our standard size DA only.

Model	SX-F 250	SX-F250 Pro-Series	SX-F250
Years	06-current	06-12	13-current
Displ. (cc)	249	249	249

Piston Kit Part No.	Piston size (mm)	Over size (mm)	Ring Set Part No.	Piston Kit Part No.	Piston size (mm)	Over size (mm)	Ring Set Part No.	Piston Kit Part No.	Piston size (mm)	Over size (mm)	Ring Set Part No.
DA-DC WP070				DA-DC WP059				8865DA	77.96	Std.	KOENIG78-4T
8645DA	75.96	Std.	760XAS	8690DA	75.96	Std.	760XAS	8865DB	77.97	+0.01	KOENIG78-4T
8645DB	75.97	+0.01	760XAS	8690DB	75.97	+0.01	760XAS	8865DC	77.98	+0.02	KOENIG78-4T
8645DC	75.98	+0.02	760XAS	8690DC	75.98	+0.02	760XAS				
D400 WP059				D400 WP070							
8645D400	79.96	+4.00	800XDS	8690D400	79.96	+4.00	800XDS				

set includes			
Clip Part No.	CW16	CW16	CW16
Pin Part No.	WP070 / WP059	WP059 / WP070	WP070
Rings	see above	see above	see above
Price-Code	5/1	5/1	5/2
Stroke	54.80	54.80	52.30
Wössner/ OEM Comp. ratio	12.9:1 12.8:1	14.4:1 12.8:1	13.9:1 13.9:1
Dome Volume (CC)	-1.2 cm ³	+2.3 cm ³	-2.1 cm ³
Comp. Height (mm)	19.50	19.50	19.50

extra parts			
Wössner Connecting rods	P4003	P4003	P4059 `13-current
Needle bearing	-	-	-
Main bearing	2 x MBNJ206C3	2 x MBNJ206C3	-

KTM® - 4 stroke



Alle Angaben zum Verdichtungsverhältnis, Domvolumen und Kolbengewicht beziehen sich nur auf unser Standardmaß DA.

All information on compression ratio, dome volume and piston weight is valid for our standard size DA only.

Model	SX-F250 Pro Series	SX-F350	SX-F350 Pro Series
Years	13-current	10-current	10-current
Displ. (cc)	249	349	349

Piston Kit Part No.	Piston size (mm)	Over size (mm)	Ring Set Part No.	Piston Kit Part No.	Piston size (mm)	Over size (mm)	Ring Set Part No.	Piston Kit Part No.	Piston size (mm)	Over size (mm)	Ring Set Part No.
8874DA	77.96	Std.	KOENIG78-4T	8807DA	87.95	Std.	880XSY	8810DA	87.95	Std.	880XSY
8874DB	77.97	+0.01	KOENIG78-4T	8807DB	87.96	+0.01	880XSY	8810DB	87.96	+0.01	880XSY
8874DC	77.98	+0.02	KOENIG78-4T	8807DC	87.97	+0.02	880XSY	8810DC	87.97	+0.02	880XSY
				8807D200	89.95	+2.00	900XSY	8810D200	89.95	+2.00	900XSY
				8807D300	90.95	+3.00	910XSY				

	set includes		
Clip Part No.	CW16	CW18	CW18
Pin Part No.	WP070	WP053	WP099
Rings	see above	see above	see above
Price-Code	5/2	7	7
Stroke	52.30	57.50	57.50
Wössner/ OEM Comp. ratio	14.5:1 13.9:1	13.5:1 13.5:1	14.5:1 13.5:1
Dome Volume (CC)	-1.2 cm ³	+1.3 cm ³	+3.3 cm ³
Comp. Height (mm)	19.50	20.50	20.50

	extra parts		
Wössner Connecting rods	P4059 `13-current	P4040 `10-13	P4040 `10-13
Needle bearing	-	-	-
Main bearing	-	-	-

KTM® - 4 stroke



Alle Angaben zum Verdichtungsverhältnis, Domvolumen und Kolbengewicht beziehen sich nur auf unser Standardmaß DA.

All information on compression ratio, dome volume and piston weight is valid for our standard size DA only.

Model	SX-F350 New! GP Racer	EXC-F350 New!	350LC4
Years	10-current	13	92-94
Displ. (cc)	349	349	349

Piston Kit Part No.	Piston size (mm)	Over size (mm)	Ring Set Part No.	Piston Kit Part No.	Piston size (mm)	Over size (mm)	Ring Set Part No.	Piston Kit Part No.	Piston size (mm)	Over size (mm)	Ring Set Part No.
8911DA	87.96	Std.	880XDS	8885DA	87.95	Std.	880XSY	8506DA	88.94	Std.	890XSY
				8885DB	87.96	+0.01	880XSY	8506DB	88.95	+0.01	890XSY
				8885DC	87.97	+0.02	880XSY	8506DC	88.96	+0.02	890XSY

	set includes		
Clip Part No.	CW18	CW18	CW22
Pin Part No.	WP072DLC	WP054	WP017
Rings	see above	see above	see above
Price-Code	7	7	7/1
Stroke	57.50	57.50	64.00
Wössner/ OEM Comp. ratio	14.5:1 13.5:1	12.3:1 12.3:1	10.0:1 10.0:1
Dome Volume (CC)	+0.0 cm ³	-0.1 cm ³	+13.6 cm ³
Comp. Height (mm)	20.50	20.50	26.50
Gewicht (g)	199.00	-	-

	extra parts		
Wössner Connecting rods	P4040 `10-13	P4061 `13-current	-
Needle bearing	-	-	-
Main bearing	-	-	-

KTM® - 4 stroke



Alle Angaben zum Verdichtungsverhältnis, Domvolumen und Kolbengewicht beziehen sich nur auf unser Standardmaß DA.

All information on compression ratio, dome volume and piston weight is valid for our standard size DA only.

Model	400LC4	400LC4 / ESG-E	400LC4
Years	93-96	97	98-01
Displ. (cc)	400	398	398

Piston Kit Part No.	Piston size (mm)	Over size (mm)	Ring Set Part No.	Piston Kit Part No.	Piston size (mm)	Over size (mm)	Ring Set Part No.	Piston Kit Part No.	Piston size (mm)	Over size (mm)	Ring Set Part No.
8520DA	94.94	Std.	950XSY	8506DA	88.94	Std.	890XSY	8580DA	88.94	Std.	890XSY
8520DB	94.95	+0.01	950XSY	8506DB	88.95	+0.01	890XSY	8580DB	88.95	+0.01	890XSY
8520DC	94.96	+0.02	950XSY	8506DC	88.96	+0.02	890XSY	8580DC	88.96	+0.02	890XSY

	set includes		
Clip Part No.	CW22	CW22	CW20
Pin Part No.	WP009	WP017	WP038
Rings	see above	see above	see above
Price-Code	7/1	7/1	7/1
Stroke	56.50	64.00	64.00
Wössner/ OEM Comp. ratio	10.8:1 10.8:1	10.0:1 10.0:1	11.0:1 11.0:1
Dome Volume (CC)	+6.4 cm ³	+13.6 cm ³	+7.0 cm ³
Comp. Height (mm)	26.50	26.50	27.50

	extra parts		
Wössner Connecting rods	-	-	P4014
Needle bearing	-	-	-
Main bearing	-	-	MBNJ207RC3 Left '97-12 MBNJ306C3 Right '98-01

KTM® - 4 stroke



Alle Angaben zum Verdichtungsverhältnis, Domvolumen und Kolbengewicht beziehen sich nur auf unser Standardmaß DA.

All information on compression ratio, dome volume and piston weight is valid for our standard size DA only.

Model	400LC4 Pro Series	EXC400	EXC450 Racing
Years	98-01	09-12	03-07
Displ. (cc)	398	398	449

Piston Kit Part No.	Piston size (mm)	Over size (mm)	Ring Set Part No.	Piston Kit Part No.	Piston size (mm)	Over size (mm)	Ring Set Part No.	Piston Kit Part No.	Piston size (mm)	Over size (mm)	Ring Set Part No.
8636DA	88.94	Std.	890XSY	8806DA	94.95	Std.	950ADS-2	8581DA	88.96	Std.	890XSY
8636DB	88.95	+0.01	890XSY	8806DB	94.96	+0.01	950ADS-2	8581DB	88.97	+0.01	890XSY
8636DC	88.96	+0.02	890XSY	8806DC	94.97	+0.02	950ADS-2	8581DC	88.98	+0.02	890XSY
8636D200	90.94	+2.00	910XSY								

	set includes		
Clip Part No.	CW20	CW19	CW20
Pin Part No.	WP038	WP071	WP038
Rings	see above	see above	see above
Price-Code	7/1	7/1	7
Stroke	64.00	55.50	72.00
Wössner/ OEM Comp. ratio	12.5:1 11.0:1	11.1:1 11.1:1	11.1:1 11.1:1
Dome Volume (CC)	+12.2 cm ³	-0.2 cm ³	-7.1 cm ³
Comp. Height (mm)	27.50	22.80	23.50

	extra parts		
Wössner Connecting rods	-	-	P4048
Needle bearing	-	-	-
Main bearing	MBNJ207RC3 Left '97-12 MBNJ306C3 Right '98-01	-	2 x MBNJ206C3

KTM® - 4 stroke



Alle Angaben zum Verdichtungsverhältnis, Domvolumen und Kolbengewicht beziehen sich nur auf unser Standardmaß DA.

All information on compression ratio, dome volume and piston weight is valid for our standard size DA only.

New!

Model	EXC450R	EXC450	SX450 Racing
Years	08-11	12-current	03-06
Displ. (cc)	449	449	449

Piston Kit Part No.	Piston size (mm)	Over size (mm)	Ring Set Part No.	Piston Kit Part No.	Piston size (mm)	Over size (mm)	Ring Set Part No.	Piston Kit Part No.	Piston size (mm)	Over size (mm)	Ring Set Part No.
8707DA	94.95	Std.	950ADS-2	8898DA	94.95	Std.	950ADS-2	8560DA	94.96	Std.	950ADS-2
8707DB	94.96	+0.01	950ADS-2	8898DB	94.96	+0.01	950ADS-2	8560DB	94.97	+0.01	950ADS-2
8707DC	94.97	+0.02	950ADS-2	8898DC	94.97	+0.02	950ADS-2	8560DC	94.98	+0.02	950ADS-2
								8560D200	96.96	+2.00	970ADS-2

	set includes		
Clip Part No.	CW19	CW19	CW20
Pin Part No.	WP037	WP071	WP079
Rings	see above	see above	see above
Price-Code	7	7	7
Stroke	63.40	63.40	63.40
Wössner/ OEM Comp. ratio	11.9:1 11.9:1	11.8:1 11.8:1	12.0:1 12.0:1
Dome Volume (CC)	-1.9 cm ³	-1.6 cm ³	+5.8 cm ³
Comp. Height (mm)	22.80	22.80	21.60

	extra parts		
Wössner Connecting rods	P4016	P4057 `12-current	P4015 `03-06
Needle bearing	-	-	-
Main bearing	-	-	-

KTM® - 4 stroke



Alle Angaben zum Verdichtungsverhältnis, Domvolumen und Kolbengewicht beziehen sich nur auf unser Standardmaß DA.

All information on compression ratio, dome volume and piston weight is valid for our standard size DA only.

Model	SX450 Racing Pro Series	SX-F450	SX-F450 Pro Series
Years	03-06	07-12	07-12
Displ. (cc)	449	449	449

Piston Kit Part No.	Piston size (mm)	Over size (mm)	Ring Set Part No.	Piston Kit Part No.	Piston size (mm)	Over size (mm)	Ring Set Part No.	Piston Kit Part No.	Piston size (mm)	Over size (mm)	Ring Set Part No.
8571DA	94.96	Std.	950ADS-2	8665DA	96.96	Std.	970ADS-2	8715DA	96.96	Std.	970ADS-2
8571DB	94.97	+0.01	950ADS-2	8665DB	96.97	+0.01	970ADS-2	8715DB	96.97	+0.01	970ADS-2
8571DC	94.98	+0.02	950ADS-2	8665DC	96.98	+0.02	970ADS-2	8715DC	96.98	+0.02	970ADS-2
8571D200	96.96	+2.00	970ADS-2								

	set includes		
Clip Part No.	CW20	CW19	CW19
Pin Part No.	WP073	WP037	WP071
Rings	see above	see above	see above
Price-Code	7	7	7/1
Stroke	63.40	60.80	60.80
Wössner/ OEM Comp. ratio	HC 12.0:1	12.5:1 12.5:1	13.5:1 12.5:1
Dome Volume (CC)	+11.5 cm ³	-2.6 cm ³	+1.1 cm ³
Comp. Height (mm)	21.60	21.30	21.30

	extra parts		
Wössner Connecting rods	P4015 `03-06	P4017	P4017
Needle bearing	-	-	-
Main bearing	-	-	-

KTM® - 4 stroke



Alle Angaben zum Verdichtungsverhältnis, Domvolumen und Kolbengewicht beziehen sich nur auf unser Standardmaß DA.

All information on compression ratio, dome volume and piston weight is valid for our standard size DA only.

New!

Model	SX-F450	SX-F450 Pro Series	SX-F450 GP Racer
Years	13-current	13-current	13-current
Displ. (cc)	449	449	449

Piston Kit Part No.	Piston size (mm)	Over size (mm)	Ring Set Part No.	Piston Kit Part No.	Piston size (mm)	Over size (mm)	Ring Set Part No.	Piston Kit Part No.	Piston size (mm)	Over size (mm)	Ring Set Part No.
8868DA	94.95	Std.	950ADS-2	8873DA	94.95	Std.	950ADS-2	8910DA	94.95	Std.	950ADS-2
8868DB	94.96	+0.01	950ADS-2	8873DB	94.96	+0.01	950ADS-2				
8868DC	94.97	+0.02	950ADS-2	8873DC	94.97	+0.02	950ADS-2				

	set includes		
Clip Part No.	CW19	CW19	CW19
Pin Part No.	WP071	WP071	WP028DLC
Rings	see above	see above	see above
Price-Code	7/1	7/1	7
Stroke	63.40	63.40	63.40
Wössner/ OEM Comp. ratio	12.6:1 12.6:1	13.6:1 12.6:1	- 12.6:1
Dome Volume (CC)	+1.0 cm ³	+4.1 cm ³	+0.0 cm ³
Comp. Height (mm)	22.80	22.80	22.80
Gewicht (g)	-	-	235.00

	extra parts		
Wössner Connecting rods	P4058 `13-current	P4058 `13-current	P4058 `13-current
Needle bearing	-	-	-
Main bearing	-	-	-

KTM® - 4 stroke



Alle Angaben zum Verdichtungsverhältnis, Domvolumen und Kolbengewicht beziehen sich nur auf unser Standardmaß DA.

All information on compression ratio, dome volume and piston weight is valid for our standard size DA only.

Model	SX-F505	SX-F505 Pro Series	EXC500
Years	07-08	07-08	12-current
Displ. (cc)	477	449	510

Piston Kit Part No.	Piston size (mm)	Over size (mm)	Ring Set Part No.	Piston Kit Part No.	Piston size (mm)	Over size (mm)	Ring Set Part No.	Piston Kit Part No.	Piston size (mm)	Over size (mm)	Ring Set Part No.
8705DA	99.95	Std.	1000ADS-2	8725DA	99.95	Std.	1000ADS-2	8821DA	94.95	Std.	950ADS-2
8705DB	99.96	+0.01	1000ADS-2	8725DB	99.96	+0.01	1000ADS-2	8821DB	94.96	+0.01	950ADS-2
8705DC	99.97	+0.02	1000ADS-2	8725DC	99.97	+0.02	1000ADS-2	8821DC	94.97	+0.02	950ADS-2

	set includes		
Clip Part No.	CW20	CW20	CW19
Pin Part No.	WP073	WP038	WP071
Rings	see above	see above	see above
Price-Code	7/1	7/1	7
Stroke	60.80	60.80	72.00
Wössner/ OEM Comp. ratio	12.5:1 12.5:1	13.5:1 12.5:1	11.8:1 11.8:1
Dome Volume (CC)	-3.0 cm ³	+0.3 cm ³	-6.8 cm ³
Comp. Height (mm)	21.40	21.80	22.80

	extra parts		
Wössner Connecting rods	P4055 `08	P4055 `08	P4051 `12-13
Needle bearing	-	-	-
Main bearing	-	-	-

KTM® - 4 stroke



Alle Angaben zum Verdichtungsverhältnis, Domvolumen und Kolbengewicht beziehen sich nur auf unser Standardmaß DA.

All information on compression ratio, dome volume and piston weight is valid for our standard size DA only.

Model	SX-EXC520 / SX-EXC525 Racing	SX-EXC520 / SX-EXC525 Racing Pro Series	EXC530R Pro Series
Years	00-02 / 03-07	00-02 / 03-07	08-11
Displ. (cc)	510	510	510

Piston Kit Part No.	Piston size (mm)	Over size (mm)	Ring Set Part No.	Piston Kit Part No.	Piston size (mm)	Over size (mm)	Ring Set Part No.	Piston Kit Part No.	Piston size (mm)	Over size (mm)	Ring Set Part No.
8547DA	94.95	Std.	950ADS-2	8637DA	94.95	Std.	950ADS-2	8706DA	94.96	Std.	950ADS-2
8547DB	94.96	+0.01	950ADS-2	8637DB	94.96	+0.01	950ADS-2	8706DB	94.97	+0.01	950ADS-2
8547DC	94.97	+0.02	950ADS-2	8637DC	94.97	+0.02	950ADS-2	8706DC	94.98	+0.02	950ADS-2
8547D200	96.95	+2.00	970ADS-2	8637D200	96.95	+2.00	970ADS-2				
				8637D400	98.95	+4.00	990XSY				

	set includes		
Clip Part No.	CW20	CW20	CW19
Pin Part No.	WP073	WP029	WP037
Rings	see above	see above	see above
Price-Code	7/1	7/1	7
Stroke	72.00	72.00	72.00
Wössner/ OEM Comp. ratio	11.0:1 11.0:1	12.5:1 11.0:1	12.5:1 11.9:1
Dome Volume (CC)	-2.1 cm ³	+4.6 cm ³	-2.8 cm ³
Comp. Height (mm)	23.50	23.50	24.40

	extra parts		
Wössner Connecting rods	P4048	P4048	P4047
Needle bearing	-	-	-
Main bearing	2 x MBNJ206	2 x MBNJ206	-

KTM® - 4 stroke



Alle Angaben zum Verdichtungsverhältnis, Domvolumen und Kolbengewicht beziehen sich nur auf unser Standardmaß DA.

All information on compression ratio, dome volume and piston weight is valid for our standard size DA only.

Model	SXS540 Racing	SMR560 Pro Series	600LC4
Years	06	06-07	88-92
Displ. (cc)	535	600	553

Piston Kit Part No.	Piston size (mm)	Over size (mm)	Ring Set Part No.	Piston Kit Part No.	Piston size (mm)	Over size (mm)	Ring Set Part No.	Piston Kit Part No.	Piston size (mm)	Over size (mm)	Ring Set Part No.
8583DA	99.95	Std.	1000ADS-2	8704DA	99.95	Std.	1000ADS-2	8520DA	94.94	Std.	950XSY
8583DB	99.96	+0.01	1000ADS-2	8704DB	99.96	+0.01	1000ADS-2	8520DB	94.95	+0.01	950XSY
8583DC	99.97	+0.02	1000ADS-2	8704DC	99.97	+0.02	1000ADS-2	8520DC	94.96	+0.02	950XSY

	set includes		
Clip Part No.	CW20	CW20	CW22
Pin Part No.	WP038	WP038	WP009
Rings	see above	see above	see above
Price-Code	7	7	7/1
Stroke	68.00	72.00	78.00
Wössner/ OEM Comp. ratio	12.0:1 12.0:1	12.0:1 11.0:1	10.0:1 10.0:1
Dome Volume (CC)	+0.8 cm ³	+5.2 cm ³	+6.4 cm ³
Comp. Height (mm)	24.50	23.40	26.50

	extra parts		
Wössner Connecting rods	P4015	-	-
Needle bearing	-	-	-
Main bearing	-	2 x MBNJ206	-

KTM® - 4 stroke



Alle Angaben zum Verdichtungsverhältnis, Domvolumen und Kolbengewicht beziehen sich nur auf unser Standardmaß DA.

All information on compression ratio, dome volume and piston weight is valid for our standard size DA only.

Model	600LC4	620 / 625 / 640LC4 / SX / Duke / Supermoto	660SMC
Years	93	94-07	03-09
Displ. (cc)	600	600	660

Piston Kit Part No.	Piston size (mm)	Over size (mm)	Ring Set Part No.	Piston Kit Part No.	Piston size (mm)	Over size (mm)	Ring Set Part No.	Piston Kit Part No.	Piston size (mm)	Over size (mm)	Ring Set Part No.
8521DA	99.94	Std.	1000XSY	8524DA	100.94	Std.	1010XSY	8524D100	101.94	+1.00	1020XSK
8521DB	99.95	+0.01	1000XSY	8524DB	100.95	+0.01	1010XSY				
				8524DC	100.96	+0.02	1010XSY				
				8524D100	101.94	+1.00	1020XSK				

	set includes		
Clip Part No.	CW22	CW22	CW22
Pin Part No.	WP009	WP009	WP009
Rings	see above	see above	see above
Price-Code	7/1	7/1	7/1
Stroke	81.00	76.00	76.00
Wössner/ OEM Comp. ratio	9.6:1 9.6:1	11.7:1 11.7:1	11.7:1 11.7:1
Dome Volume (CC)	+9.7 cm ³	+7.6 cm ³	+8.0 cm ³
Comp. Height (mm)	26.50	26.50	26.50

	extra parts		
Wössner Connecting rods	-	P4014 '03-07	P4014 '03-07
Needle bearing	-	-	-
Main bearing	-	-	-

Maico® - 2 stroke



Model	MC250 GS250	MC250
Years	73-81	86-02
Displ. (cc)	245	247

Piston Kit Part No.	Piston size (mm)	Over size (mm)	Ring Set Part No.	Piston Kit Part No.	Piston size (mm)	Over size (mm)	Ring Set Part No.
8031DA	66.93	Std.	RSB6700	8045DA	66.93	Std.	RSB6700
8031D025	67.18	+0.25	RSB6725	8045D050	67.43	+0.50	RSB6750
8031D050	67.43	+0.50	RSB6750	8045D100	67.93	+1.00	RSB6800
8031D100	67.93	+1.00	RSB6800	8045D150	68.43	+1.50	RSB6850
8031D150	68.43	+1.50	RSB6850	8045D200	68.93	+2.00	RSB6900
8031D200	68.93	+2.00	RSB6900				

set includes		
Clip Part No.	CW18	CW18
Pin Part No.	WP033	WP033
Rings	see above	see above
Price-Code	3/1	3/1
Stroke	70.00	70.00
Comp. Height (mm)	41.70	35.70

extra parts		
Wössner Connecting rods	-	-
Needle bearing	-	-
Main bearing	-	-

Maico® - 2 stroke



Model	GS400	MC440 MD440	MC490 GS490
Years	73-81	73-81	80
Displ. (cc)	386	438	488

Piston Kit Part No.	Piston size (mm)	Over size (mm)	Ring Set Part No.	Piston Kit Part No.	Piston size (mm)	Over size (mm)	Ring Set Part No.	Piston Kit Part No.	Piston size (mm)	Over size (mm)	Ring Set Part No.
8047DA	76.92	Std.	RSC7700	8099DA	81.92	Std.	RSC8200	8036DA	86.42	Std.	RSC8650
8047D050	77.42	+0.50	RSC7750	8099D050	82.42	+0.50	RSC8250	8036D050	86.92	+0.50	RSC8700
8047D100	77.92	+1.00	RSC7800	8099D100	82.92	+1.00	RSC8300	8036D100	87.42	+1.00	RSC8750
8047D150	78.42	+1.50	RSC7850	8099D150	83.42	+1.50	RSC8350				
8047D200	78.92	+2.00	RSC7900	8099D200	83.92	+2.00	RSC8400				

	set includes		
Clip Part No.	CA18	CA18	CW18
Pin Part No.	WP039	WP039	WP042
Rings	see above	see above	see above
Price-Code	6	6	6/1
Stroke	83.00	83.00	83.00
Comp. Height (mm)	41.70	41.70	41.70

	extra parts		
Wössner Connecting rods	-	-	-
Needle bearing	-	-	-
Main bearing	-	-	-

Rotax® - 2 stroke



Model	SWM175 New!	SWM250 New!
Years	77-82	79-82
Displ. (cc)	175	247

Piston Kit Part No.	Piston size (mm)	Over size (mm)	Ring Set Part No.	Piston Kit Part No.	Piston size (mm)	Over size (mm)	Ring Set Part No.
8289DA	61.94	Std.	RDB6200	8290DA	73.93	Std.	RDB7400
8289D050	62.44	+0.50	RDB6250	8290D050	74.43	+0.50	RDB7450
8289D100	62.94	+1.00	RDB6300	8290D100	74.93	+1.00	RDC7500
8289D150	63.44	+1.50	RDB6350				
8289D200	63.94	+2.00	RDB6400				

set includes	
Clip Part No.	CW18
Pin Part No.	WP040
Rings	see above
Price-Code	3
Stroke	57.50
Comp. Height (mm)	30.00

extra parts	
Wössner Connecting rods	-
Needle bearing	-
Main bearing	-

Sherco® - 2 stroke



Model	250SE / 250SE-R New!	300SE / 300SE-R New!
Years	13-current	13-current
Displ. (cc)	249	300

Piston Kit Part No.	Piston size (mm)	Over size (mm)	Ring Set Part No.	Piston Kit Part No.	Piston size (mm)	Over size (mm)	Ring Set Part No.
8169DA	66.34	Std.	RDB6640	8294DA	71.93	Std.	RSB7200
8169DB	66.35	+0.01	RDB6640	8294DB	71.94	+0.01	RSB7200
8169DC	66.36	+0.02	RDB6640	8294DC	71.95	+0.02	RSB7200

set includes		
Clip Part No.	CW18	CW18
Pin Part No.	WP033	WP033
Rings	see above	see above
Price-Code	3/1	6/1
Stroke	72.00	72.00
Comp. Height (mm)	38.00	38.00

extra parts		
Wössner Connecting rods	-	-
Needle bearing	-	-
Main bearing	-	-

Sherco® - 4 stroke



Model	SE2.5i-F New!	SE3.0i-F New!
Years	08-12	10-13 / 14-current
Displ. (cc)	250	247

Piston Kit Part No.	Piston size (mm)	Over size (mm)	Ring Set Part No.	Piston Kit Part No.	Piston size (mm)	Over size (mm)	Ring Set Part No.
8905DA	77.94	Std.	780XAS-2	8906DA	83.94	Std.	840XDS
8905DB	77.95	+0.50	780XAS-2	8906DB	83.95	+0.50	840XDS
8905DC	77.96	+1.00	780XAS-2	8906DC	83.96	+1.00	840XDS

set includes		
Clip Part No.	CW16	CW16
Pin Part No.	WP070	WP066
Rings	see above	see above
Price-Code	5/1	7/1
Stroke	52.2	52.25
Wössner/ OEM Comp. ratio	13.2:1 13.2:1	OEM -
Dome Volume (CC)	+3.6 cm ³	-5.0 cm ³
Comp. Height (mm)	18.40	18.90

extra parts		
Wössner Connecting rods	-	-
Needle bearing	-	-
Main bearing	-	-

Suzuki® - 2 stroke



Model	RM65	RM80 / DS80	RM80
Years	00-12	77-81 / 00	86-87
Displ. (cc)	65	80	80

Piston Kit Part No.	Piston size (mm)	Over size (mm)	Ring Set Part No.	Piston Kit Part No.	Piston size (mm)	Over size (mm)	Ring Set Part No.	Piston Kit Part No.	Piston size (mm)	Over size (mm)	Ring Set Part No.
8196DA	44.45	Std.	RSB4450	8226DA	48.95	Std.	RSB4900	8227DA	47.45	Std.	RSB4750
8196DB	44.46	+0.01	RSB4450	8226D050	49.45	+0.50	RSB4950	8227D050	47.95	+0.50	RSB4800
8196DC	44.47	+0.02	RSB4450	8226D100	49.95	+1.00	RSB5000	8227D100	48.45	+1.00	RSB4850
8196DD	44.48	+0.03	RSB4450	8226D150	50.45	+1.50	RSB5050	8227D150	48.95	+1.50	RSB4900
				8226D200	50.95	+2.00	RSB5100	8227D200	49.45	+2.00	RSB4950

	set includes		
Clip Part No.	CW12	CW12	CW14
Pin Part No.	WP091	WP091	WP058
Rings	see above	see above	see above
Price-Code	1	1/1	1/1
Stroke	41.60	42.00	46.80
Comp. Height (mm)	23.60	27.50	27.00

	extra parts		
Wössner Connecting rods	P2001 '03-05	-	P2059
Needle bearing	N1036	N1036	N1036
Main bearing	-	-	-

Suzuki® - 2 stroke



Model	RM80	RM80 International Bore	RM80 US Bore
Years	89-90	91-01	91-01
Displ. (cc)	82	82	82

Piston Kit Part No.	Piston size (mm)	Over size (mm)	Ring Set Part No.	Piston Kit Part No.	Piston size (mm)	Over size (mm)	Ring Set Part No.	Piston Kit Part No.	Piston size (mm)	Over size (mm)	Ring Set Part No.
8191DA	47.45	Std.	RSB4750	8231DA	46.45	Std.	RSB4650	8270DA	47.45	Std.	RSB4750
8191D050	47.95	+0.50	RSB4800	8231DB	46.46	+0.01	RSB4650	8270D050	47.95	+0.50	RSB4800
8191D100	48.45	+1.00	RSB4850					8270D100	48.45	+1.00	RSB4850
8191D150	48.95	+1.50	RSB4900					8270D150	48.95	+1.50	RSB4900
8191D200	49.45	+2.00	RSB4950					8270D200	49.45	+2.00	RSB4950

	set includes		
Clip Part No.	CW14	CW14	CW14
Pin Part No.	WP058	WP058	WP058
Rings	see above	see above	see above
Price-Code	1/1	1/1	1/1
Stroke	46.80	46.80	46.80
Comp. Height (mm)	27.00	27.00	27.00

	extra parts		
Wössner Connecting rods	P2059 '86-89	-	
Needle bearing	N1036	N1036	N1036
Main bearing	1 x MB6204C3 Left 1 MB6304C3 Right	2 x MB6304C3	2 x MB6304C3

Suzuki® - 2 stroke



Model	RM85	RM100	RM125
Years	02-current	03	77-80
Displ. (cc)	84	99	123

Piston Kit Part No.	Piston size (mm)	Over size (mm)	Ring Set Part No.	Piston Kit Part No.	Piston size (mm)	Over size (mm)	Ring Set Part No.	Piston Kit Part No.	Piston size (mm)	Over size (mm)	Ring Set Part No.
8103DA	47.95	Std.	RSB4800	8254DA	52.45	Std.	RSB5250	8192DA	53.94	Std.	RDB5400
8103DB	47.96	+0.01	RSB4800	8254D050	52.95	+0.50	RSB5300	8192D050	54.44	+0.50	RDB5450
8103DC	47.97	+0.02	RSB4800	8254D100	53.45	+1.00	RSB5350	8192D100	54.94	+1.00	RDB5500
8103D050	48.45	+0.50	RSB4850	8254D150	53.95	+1.50	RSB5400	8192D150	55.44	+1.50	RDB5550
8103D100	48.95	+1.00	RSB4900	8254D200	54.45	+2.00	RSB5450	8192D200	55.94	+2.00	RDB5600
8103D200	49.95	+2.00	RSB5000								
8103D400	51.95	+4.00	RSB5200								
8103D500	52.95	+5.00	RSB5300								

	set includes		
Clip Part No.	CW14	CW14	CW14
Pin Part No.	WP058	WP025	WP025
Rings	see above	see above	see above
Price-Code	1	1	2/1
Stroke	46.80	45.80	54.00
Comp. Height (mm)	27.00	26.00	30.50

	extra parts		
Wössner Connecting rods	P2007 '02-current	P2005	-
Needle bearing	N1006	N1007	N1008
Main bearing	2 x MB6304C3	2 x MB6304C3	-

Suzuki® - 2 stroke



Model	RM125	RM125	RM125
Years	81-84	85-86	87
Displ. (cc)	123	123	123

Piston Kit Part No.	Piston size (mm)	Over size (mm)	Ring Set Part No.	Piston Kit Part No.	Piston size (mm)	Over size (mm)	Ring Set Part No.	Piston Kit Part No.	Piston size (mm)	Over size (mm)	Ring Set Part No.
8124DA	53.94	Std.	RDB5400	8123DA	53.94	Std.	RDB5400	8122DA	53.94	Std.	RSB5400
8124D050	54.44	+0.50	RDB5450	8123D050	54.44	+0.50	RDB5450	8122D050	54.44	+0.50	RSB5450
8124D075	54.69	+0.75	RDB5475	8123D075	54.69	+0.75	RDB5475	8122D100	54.94	+1.00	RSB5500
8124D100	54.94	+1.00	RDB5500	8123D100	54.94	+1.00	RDB5500	8122D150	55.44	+1.50	RSB5550
8124D150	55.44	+1.50	RDB5550	8123D150	55.44	+1.50	RDB5550	8122D200	55.94	+2.00	RSB5600
8124D200	55.94	+2.00	RDB5600	8123D200	55.94	+2.00	RDB5600				

set includes			
Clip Part No.	CW14	CW14	CW14
Pin Part No.	WP025	WP025	WP025
Rings	see above	see above	see above
Price-Code	2/1	2/1	2/1
Stroke	54.00	54.00	54.00
Comp. Height (mm)	29.50	29.50	29.50

extra parts			
Wössner Connecting rods	P2040 '84-86	P2040 '84-86	P2015
Needle bearing	N1008	N1008	N1008
Main bearing	1 x MB6205C3 Left 1 x MB6322C3 Right	1 x MB6205C3 Left 1 x MB6322C3 Right	1 x MB6205C3 Left 1 x MB6322C3 Right

Suzuki® - 2 stroke



Model	RM125	RM125	RM125
Years	88	89-99	00-03
Displ. (cc)	123	123	125

Piston Kit Part No.	Piston size (mm)	Over size (mm)	Ring Set Part No.	Piston Kit Part No.	Piston size (mm)	Over size (mm)	Ring Set Part No.	Piston Kit Part No.	Piston size (mm)	Over size (mm)	Ring Set Part No.
8138DA	53.94	Std.	RSB5400	8055DA	53.95	Std.	RSB5400	8061DA	53.95	Std.	RSB5400
8138D050	54.44	+0.50	RSB5450	8055DB	53.96	+0.01	RSB5400	8061DB	53.96	+0.01	RSB5400
8138D150	55.44	+1.50	RSB5550	8055DC	53.97	+0.02	RSB5400	8061DC	53.97	+0.02	RSB5400
8138D200	55.94	+2.00	RSB5600	8055D050	54.45	+0.50	RSB5450	8061D050	54.45	+0.50	RSB5450
				8055D100	54.95	+1.00	RSB5500	8061D100	54.95	+1.00	RSB5500
				8055D150	55.45	+1.50	RSB5550	8061D150	55.45	+1.50	RSB5550
				8055D200	55.95	+2.00	RSB5600	8061D200	55.95	+2.00	RSB5600

	set includes		
Clip Part No.	CW15	CW15	CW15
Pin Part No.	WP032	WP032	WP032
Rings	see above	see above	see above
Price-Code	2/1	2	2
Stroke	54.00	54.00	54.50
Comp. Height (mm)	29.50	29.50	29.50

	extra parts		
Wössner Connecting rods	P2015	P2015 '88-96 P2014 '97-98 P2013 '99-03	P2013
Needle bearing	N1010	N1010	N1010
Main bearing	1 x MB6205C3 Left 1 x MB6322C3 Right	2 x MB6322C4	2 x MB6322C4

Suzuki® - 2 stroke



Model	RM125	TS125 / RV125 / TS125ER / TS125X	RG125
Years	04-12	71-81 / 74-78 / 79-81 / 84-89	85-91
Displ. (cc)	125	125	125

Piston Kit Part No.	Piston size (mm)	Over size (mm)	Ring Set Part No.	Piston Kit Part No.	Piston size (mm)	Over size (mm)	Ring Set Part No.	Piston Kit Part No.	Piston size (mm)	Over size (mm)	Ring Set Part No.
8098DA	53.95	Std.	RSB5400	8146DA	55.94	Std.	RDB5600	8028DA	53.94	Std.	RDB5400
8098DB	53.96	+0.01	RSB5400	8146D050	56.44	+0.50	RDB5650	8028D050	54.44	+0.50	RDB5450
8098DC	53.97	+0.02	RSB5400	8146D100	56.94	+1.00	RDB5700	8028D100	54.94	+1.00	RDB5500
8098D200	55.95	+2.00	RSB5600	8146D150	57.44	+1.50	RDB5750	8028D150	55.44	+1.50	RDB5550
8098D400	57.95	+4.00	RSB5800	8146D200	57.94	+2.00	RDB5800	8028D200	55.94	+2.00	RDB5600

	set includes		
Clip Part No.	CW15	CW14	CW14
Pin Part No.	WP032	WP025	WP025
Rings	see above	see above	see above
Price-Code	2	2/1	2/1
Stroke	54.50	50.00	54.00
Comp. Height (mm)	29.50	29.00	28.00

	extra parts		
Wössner Connecting rods	P2016 `04-07	-	-
Needle bearing	N1010	-	-
Main bearing	2 x MB6322C4	-	-

Suzuki® - 2 stroke



Model	TSR125	PE175	TS185 / TC185 / DS185
Years	89-95	80-84	74-77 / 71-81 / 78-80
Displ. (cc)	125	172	185

Piston Kit Part No.	Piston size (mm)	Over size (mm)	Ring Set Part No.	Piston Kit Part No.	Piston size (mm)	Over size (mm)	Ring Set Part No.	Piston Kit Part No.	Piston size (mm)	Over size (mm)	Ring Set Part No.
8009DA	55.94	Std.	RDB5600	8193DA	61.94	Std.	RDB6200	8281DA	63.93	Std.	RDB6400
8009D050	56.44	+0.50	RDB5650	8193D050	62.44	+0.50	RDB6250	8281D050	64.43	+0.50	RDB6450
8009D100	56.94	+1.00	RDB5700	8193D100	62.94	+1.00	RDB6300	8281D100	64.93	+1.00	RDB6500
8009D150	57.44	+1.50	RDB5750	8193D150	63.44	+1.50	RDB6350	8281D150	65.43	+1.50	RDB6550
8009D200	57.94	+2.00	RDB5800	8193D200	63.94	+2.00	RDB6400	8281D200	65.93	+2.00	RDB6600

	set includes		
Clip Part No.	CW16	CW16	CW16
Pin Part No.	WP036	WP041	WP027
Rings	see above	see above	see above
Price-Code	2	3/1	3
Stroke	50.00	57.00	57.00
Comp. Height (mm)	28.50	31.80	32.00

	extra parts		
Wössner Connecting rods	-	-	-
Needle bearing	N1020	N1016	N1016
Main bearing	-	-	-

Suzuki® - 2 stroke



Model	TS200R	TS250	RM250 / PE250
Years	all	73-81	77-81
Displ. (cc)	200	249	246

Piston Kit Part No.	Piston size (mm)	Over size (mm)	Ring Set Part No.	Piston Kit Part No.	Piston size (mm)	Over size (mm)	Ring Set Part No.	Piston Kit Part No.	Piston size (mm)	Over size (mm)	Ring Set Part No.
8046D100	66.93	+1.00	RDB6700	8204D100	70.94	+1.00	RDB7100	8194DA	66.94	Std.	RDB6700
				8204D150	71.44	+1.50	RDB7150	8194D050	67.44	+0.50	RDB6750
				8204D200	71.94	+2.00	RDB7200	8194D100	67.94	+1.00	RDB6800
								8194D150	68.44	+1.50	RDB6850
								8194D200	68.94	+2.00	RDB6900

	set includes		
Clip Part No.	CW18	CW18	CW18
Pin Part No.	WP033	WP033	WP033
Rings	see above	see above	see above
Price-Code	3	3/1	3/1
Stroke	56.80	64.00	70.00
Comp. Height (mm)	28.50	34.00	37.00

	extra parts		
Wössner Connecting rods	-	-	-
Needle bearing	-	N1024	N1022
Main bearing	-	-	-

Suzuki® - 2 stroke



Model	RM250	RM250	RM250
Years	82-85	86	87-88
Displ. (cc)	246	246	246

Piston Kit Part No.	Piston size (mm)	Over size (mm)	Ring Set Part No.	Piston Kit Part No.	Piston size (mm)	Over size (mm)	Ring Set Part No.	Piston Kit Part No.	Piston size (mm)	Over size (mm)	Ring Set Part No.
8159DA	69.94	Std.	RSB7000	8158DA	66.94	Std.	RSB6700	8157DA	66.94	Std.	RSB6700
8159D050	70.44	+0.50	RSB7050	8158D050	67.44	+0.50	RSB6750	8157D050	67.44	+0.50	RSB6750
8159D075	70.69	+0.75	RSB7075	8158D100	67.94	+1.00	RSB6800	8157D100	67.94	+1.00	RSB6800
8159D100	70.94	+1.00	RSB7100	8158D150	68.44	+1.50	RSB6850	8157D150	68.44	+1.50	RSB6850
8159D150	71.44	+1.50	RSB7150					8157D200	68.94	+2.00	RSB6900
8159D200	71.94	+2.00	RSB7200								

set includes			
Clip Part No.	CW18	CW18	CW18
Pin Part No.	WP033	WP033	WP033
Rings	see above	see above	see above
Price-Code	3/1	3/1	3/1
Stroke	64.00	70.00	70.00
Comp. Height (mm)	32.80	37.00	37.00

extra parts			
Wössner Connecting rods	-	-	-
Needle bearing	N1022	N1022	N1022
Main bearing	1 x MB6206C3 Left 1 x MB6305C3 Right	1 x MB6206C3 Left 1 x MB6305C3 Right	1 x MB6206C3 Left 1 x MB6305C3 Right

Suzuki® - 2 stroke



Model	RM250 / RMX250	RM250	RM250
Years	89-95 / 89-99	96-97	98
Displ. (cc)	246	249	249

Piston Kit Part No.	Piston size (mm)	Over size (mm)	Ring Set Part No.	Piston Kit Part No.	Piston size (mm)	Over size (mm)	Ring Set Part No.	Piston Kit Part No.	Piston size (mm)	Over size (mm)	Ring Set Part No.
8022DA	66.94	Std.	RDB6700	8058DA	66.34	Std.	RDB6640	8140DA	66.34	Std.	RDB6640
8022DB	66.95	+0.01	RDB6700	8058DB	66.35	+0.01	RDB6640	8140DB	66.35	+0.01	RDB6640
8022DC	66.96	+0.02	RDB6700	8058DC	66.36	+0.02	RDB6640	8140DC	66.36	+0.02	RDB6640
8022D050	67.44	+0.50	RDB6750					8140D210	68.44	+2.10	RDB6850
8022D100	67.94	+1.00	RDB6800								
8022D200	68.94	+2.00	RDB6900								

set includes			
Clip Part No.	CW18	CW18	CW18
Pin Part No.	WP033	WP033	WP033
Rings	see above	see above	see above
Price-Code	3	3/1	3/1
Stroke	70.80	72.00	72.00
Comp. Height (mm)	37.00	38.00	38.00

extra parts			
Wössner Connecting rods	P2027	P2026	P2026
Needle bearing	N1022	N1022	N1022
Main bearing	2 x MB6305C3 `89-93 2 x MB6328C3 `94-04	2 x MB6328C3	2 x MB6328C3

Suzuki® - 2 stroke



Model	RM250	RM250	RM250
Years	99	00-02	03-12
Displ. (cc)	249	249	249

Piston Kit Part No.	Piston size (mm)	Over size (mm)	Ring Set Part No.	Piston Kit Part No.	Piston size (mm)	Over size (mm)	Ring Set Part No.	Piston Kit Part No.	Piston size (mm)	Over size (mm)	Ring Set Part No.
8058DA	66.34	Std.	RDB6640	8059DA	66.34	Std.	RDB6640	8086DA	66.34	Std.	RDB6640
8058DB	66.35	+0.01	RDB6640	8059DB	66.35	+0.01	RDB6640	8086DB	66.35	+0.01	RDB6640
8058DC	66.36	+0.02	RDB6640	8059DC	66.36	+0.02	RDB6640	8086DC	66.36	+0.02	RDB6640
				8059D210	68.44	+2.10	RDB6850	8086D060	66.94	+0.60	RDB6700
								8086D110	67.44	+1.10	RDB6750

	set includes		
Clip Part No.	CW18	CW18	CW18
Pin Part No.	WP033	WP033	WP033
Rings	see above	see above	see above
Price-Code	3/1	3/1	3
Stroke	72.00	72.00	72.00
Comp. Height (mm)	38.00	38.00	38.00

	extra parts		
Wössner Connecting rods	P2026	P2026	P2025 `03-08
Needle bearing	N1022	N1022	N1022
Main bearing	2 x MB6328C3	2 x MB6328C3	2 x MB6328C3 `94-04

Suzuki® - 2 stroke



Model	RM250 Single Ring	RGV250 / RGV250 Single Ring	TSX250 / RH240 / TSX240
Years	03-12	92-98	86-87
Displ. (cc)	249	249	250

Piston Kit Part No.	Piston size (mm)	Over size (mm)	Ring Set Part No.	Piston Kit Part No.	Piston size (mm)	Over size (mm)	Ring Set Part No.	Piston Kit Part No.	Piston size (mm)	Over size (mm)	Ring Set Part No.
8087DA	66.34	Std.	RSB6640	8039DA	55.95	Std.	RSB5600	8013DA	69.93	Std.	RDB7000
8087DB	66.35	+0.01	RSB6640	8039DB	55.96	+0.01	RSB5600	8013D050	70.43	+0.50	RDB7050
8087DC	66.36	+0.02	RSB6640	8039DC	55.97	+0.02	RSB5600	8013D100	70.93	+1.00	RDB7100
				8039D050	56.45	+0.50	RSB5650	8013D150	71.43	+1.50	RDB7150
				8039D100	56.94	+1.00	RSB5700	8013D200	71.93	+2.00	RDB7200

	set includes		
Clip Part No.	CW18	CW16	CW18
Pin Part No.	WP033	WP036	WP033
Rings	see above	see above	see above
Price-Code	3/1	2	3/1
Stroke	72.00	50.60	64.00
Comp. Height (mm)	38.00	28.50	31.00

	extra parts		
Wössner Connecting rods	P2025	-	-
Needle bearing	N1022	-	-
Main bearing	2 x MB6328C3 '94-04	-	-

Suzuki® - 2 stroke



Model	RM500
Years	82-85
Displ. (cc)	500

Piston Kit Part No.	Piston size (mm)	Over size (mm)	Ring Set Part No.
8271DA	88.40	Std.	RSC8850
8271D050	88.90	+0.50	RSC8900
8271D100	89.40	+1.00	RSC8950

	set includes
Clip Part No.	CW18
Pin Part No.	WP042
Rings	see above
Price-Code	6/1
Stroke	80.00
Comp. Height (mm)	41.50

	extra parts
Wössner Connecting rods	-
Needle bearing	-
Main bearing	-

Sven Breugelsman
JM Racing KTM
World Champion MX3 2008



Suzuki® - 4 stroke



Alle Angaben zum Verdichtungsverhältnis, Domvolumen und Kolbengewicht beziehen sich nur auf unser Standardmaß DA.

All information on compression ratio, dome volume and piston weight is valid for our standard size DA only.

Model	DRZ250 Pro Series	RM-Z250	RM-Z250 Pro-Series
Years	01-07	04-06	04-06
Displ. (cc)	249	249	249

Piston Kit Part No.	Piston size (mm)	Over size (mm)	Ring Set Part No.	Piston Kit Part No.	Piston size (mm)	Over size (mm)	Ring Set Part No.	Piston Kit Part No.	Piston size (mm)	Over size (mm)	Ring Set Part No.
8678DA	72.95	Std.	730XDS	8582DA	76.96	Std.	770XAS-2	8661DA	76.96	Std.	770XAS-2
				8582DB	76.97	+0.01	770XAS-2	8661DB	76.97	+0.01	770XAS-2
				8582DC	76.98	+0.02	770XAS-2	8661DC	76.98	+0.02	770XAS-2
				8582D600	82.96	+6.00	830XSY				

	set includes		
Clip Part No.	CW19	CW16	CW16
Pin Part No.	WP028	WP059	WP059
Rings	see above	see above	see above
Price-Code	4/1	DA - DC = 5 D600 = 7	5/1
Stroke	59.60	53.60	53.60
Wössner/ OEM Comp. ratio	11.5:1 10.4:1	12.1:1 12.6:1	13.2:1 12.6:1
Dome Volume (CC)	-1.4 cm ³	-5.9 cm ³	-4.0 cm ³
Comp. Height (mm)	24.00	19.60	19.60

	extra parts		
Wössner Connecting rods	-	P4002	P4002
Needle bearing	-	-	-
Main bearing	-	2 x MB6206RSI	2 x MB6206RSI

Suzuki® - 4 stroke

Alle Angaben zum Verdichtungsverhältnis, Domvolumen und Kolbengewicht beziehen sich nur auf unser Standardmaß DA.

All information on compression ratio, dome volume and piston weight is valid for our standard size DA only.



Model	RM-Z250	RM-Z250 Pro Series	RM-Z250
Years	07-09	07-09	10-current
Displ. (cc)	249	249	249

Piston Kit Part No.	Piston size (mm)	Over size (mm)	Ring Set Part No.	Piston Kit Part No.	Piston size (mm)	Over size (mm)	Ring Set Part No.	Piston Kit Part No.	Piston size (mm)	Over size (mm)	Ring Set Part No.
8666DA	76.96	Std.	770XAS-2	8672DA	76.96	Std.	770XAS-2	8781DA	76.96	Std.	770XAS-2
8666DB	76.97	+0.01	770XAS-2	8672DB	76.97	+0.01	770XAS-2	8781DB	76.97	+0.01	770XAS-2
8666DC	76.98	+0.02	770XAS-2	8672DC	76.98	+0.02	770XAS-2	8781DC	76.98	+0.02	770XAS-2

	set includes		
Clip Part No.	CW16	CW16	CW16
Pin Part No.	WP070	WP070	WP070
Rings	see above	see above	see above
Price-Code	5/1	5/1	5/1
Stroke	53.60	53.60	53.60
Wössner/ OEM Comp. ratio	13.4:1 13.4:1	13.9:1 13.4:1	13.6:1 13.5:1
Dome Volume (CC)	-3.3 cm ³	-2.5 cm ³	-2.6 cm ³
Comp. Height (mm)	19.60	19.60	19.60

	extra parts		
Wössner Connecting rods	P4004 `07-current	P4004 `07-current	P4004 `07-current
Needle bearing	-	-	-
Main bearing	2 x MB830046-current	2 x MB830046-current	2 x MB830046-20

Suzuki® - 4 stroke



Alle Angaben zum Verdichtungsverhältnis, Domvolumen und Kolbengewicht beziehen sich nur auf unser Standardmaß DA.

All information on compression ratio, dome volume and piston weight is valid for our standard size DA only.

Model	RM-Z250 Pro Series	DR350R / DR350S / DR350SE	DR-Z400E / DR-Z400S
Years	10-current	90-99	00-current
Displ. (cc)	249	349	398

Piston Kit Part No.	Piston size (mm)	Over size (mm)	Ring Set Part No.	Piston Kit Part No.	Piston size (mm)	Over size (mm)	Ring Set Part No.	Piston Kit Part No.	Piston size (mm)	Over size (mm)	Ring Set Part No.
8795DA	76.96	Std.	770XAS-2	DA WP038				DA - DC WP029			
8795DB	76.97	+0.01	770XAS-2	8600DA	78.94	Std.	790XDS	8563DA	89.94	Std.	900XSY
8795DC	76.98	+0.02	770XAS-2	D100 - D400 WP029				8563DB	89.95	+0.01	900XSY
				8600D100	79.94	+1.00	800XDS	8563DC	89.96	+0.02	900XSY
				8600D200	80.94	+2.00	810XSY	D400 - D550 WP038			
				8600D300	81.94	+3.00	820XSY	8563D400	93.94	+4.00	940XSY
				8600D400	82.94	+4.00	830XSY	8563D550	95.44	+5.50	955XSY

	set includes		
Clip Part No.	CW16	CW20	CW20
Pin Part No.	WP070	WP038 / WP029	WP029 / WP038
Rings	see above	see above	see above
Price-Code	5	5	7
Stroke	53.60	71.20	62.60
Wössner/ OEM Comp. ratio	14.0:1 13.5:1	9.5:1 9.5:1	12.2:1 12.2:1
Dome Volume (CC)	-2.1 cm ³	+3.5 cm ³	-2 cm ³
Comp. Height (mm)	19.60	25.00	25.30

	extra parts		
Wössner Connecting rods	P4004 `07-current	-	P4009 `00-13
Needle bearing	-	-	-
Main bearing	2 x MB830046-20	-	2 x MB6306R/3

Suzuki® - 4 stroke



Alle Angaben zum Verdichtungsverhältnis, Domvolumen und Kolbengewicht beziehen sich nur auf unser Standardmaß DA.

All information on compression ratio, dome volume and piston weight is valid for our standard size DA only.

Model	DR-Z400E / DR-Z400S ProSeries	RM-Z450	RM-Z450 Pro Series - 2. Ring
Years	00-current	05-07	05-07
Displ. (cc)	398	449	449

Piston Kit Part No.	Piston size (mm)	Over size (mm)	Ring Set Part No.	Piston Kit Part No.	Piston size (mm)	Over size (mm)	Ring Set Part No.	Piston Kit Part No.	Piston size (mm)	Over size (mm)	Ring Set Part No.
8567DA	89.94	Std.	900XSY	8606DA	95.46	Std.	955XSY	8616DA	95.46	Std.	955XSY
8567DB	89.95	+0.01	900XSY	8606DB	95.47	+0.01	955XSY	8616DB	95.47	+0.01	955XSY
8567DC	89.96	+0.02	900XSY	8606DC	95.48	+0.02	955XSY	8616DC	95.48	+0.02	955XSY
8567D550	95.44	+5.50	955XSY	8606D200	97.46	+2.00	975XSY				
				8606D450	99.96	+4.50	1000XSY				

	set includes		
Clip Part No.	CW20	CW19	CW19
Pin Part No.	WP029	WP037	WP071
Rings	see above	see above	see above
Price-Code	7	7	7
Stroke	62.60	62.60	62.60
Wössner/ OEM Comp. ratio	13.5:1 12.2:1	12.0:1 12.0:1	13.5:1 12.0:1
Dome Volume (CC)	+0.5 cm ³	-3.1 cm ³	+1.4 cm ³
Comp. Height (mm)	25.30	22.30	22.30

	extra parts		
Wössner Connecting rods	P4009	P4012	P4012
Needle bearing	-	-	-
Main bearing	2 x MB6306R/3	2 x MB85C072C	2 x MB85C072C

Suzuki® - 4 stroke



Alle Angaben zum Verdichtungsverhältnis, Domvolumen und Kolbengewicht beziehen sich nur auf unser Standardmaß DA.

All information on compression ratio, dome volume and piston weight is valid for our standard size DA only.

New!

Model	RM-Z450	RM-Z450 Pro Series - 2. Ring	RM-Z450
Years	08-12	08-12	13-current
Displ. (cc)	449	449	449

Piston Kit Part No.	Piston size (mm)	Over size (mm)	Ring Set Part No.	Piston Kit Part No.	Piston size (mm)	Over size (mm)	Ring Set Part No.	Piston Kit Part No.	Piston size (mm)	Over size (mm)	Ring Set Part No.
8716DA	95.96	Std.	960ADS-2	8717DA	95.96	Std.	960ADS-2	8886DA	95.96	Std.	960ADS-2
8716DB	95.97	+0.01	960ADS-2	8717DB	95.97	+0.01	960ADS-2	8886DB	95.97	+0.01	960ADS-2
8716DC	95.98	+0.02	960ADS-2	8717DC	95.98	+0.02	960ADS-2	8886DC	95.98	+0.02	960ADS-2

set includes			
Clip Part No.	CW19	CW19	CW19
Pin Part No.	WP037	WP071	WP071
Rings	see above	see above	see above
Price-Code	7	7	7
Stroke	62.10	62.10	62.10
Wössner/ OEM Comp. ratio	12.2:1 12.2:1	13.5:1 12.2:1	12.5:1 12.5:1
Dome Volume (CC)	-0.8 cm ³	+3.4 cm ³	-1.0 cm ³
Comp. Height (mm)	23.10	23.10	22.90

extra parts			
Wössner Connecting rods	P4013 `08-current	P4013 `08-current	P4062 `13-current
Needle bearing	-	-	-
Main bearing	1 x MB83C072C Right 1 x MB830053-4 Left	1 x MB83C072C Right 1 x MB830053-4 Left	1 x MB83C072C Right 1 x MB830053-4 Left

Suzuki® - 4 stroke



Alle Angaben zum Verdichtungsverhältnis, Domvolumen und Kolbengewicht beziehen sich nur auf unser Standardmaß DA.

All information on compression ratio, dome volume and piston weight is valid for our standard size DA only.

Model	RM-Z450 New!	RM-Z450 GP Racer New!	DR600 / SP600 Djebel + 1.00 Overbore
Years	13-current	13-current	85-89 / 85-89
Displ. (cc)	449	449	589

Piston Kit Part No.	Piston size (mm)	Over size (mm)	Ring Set Part No.	Piston Kit Part No.	Piston size (mm)	Over size (mm)	Ring Set Part No.	Piston Kit Part No.	Piston size (mm)	Over size (mm)	Ring Set Part No.
8887DA	95.96	Std.	960DS-2	8909DA	95.96	Std.	RIK96.00E	8503DA	94.94	+1.00	950XSY
8887DB	95.97	+0.01	960DS-2					8503D100	95.94	+2.00	960XSY
8887DC	95.98	+0.02	960DS-2					8503D150	96.44	+2.50	965XSY
								8503D200	96.94	+3.00	970XSY

	set includes		
Clip Part No.	CW19	CW19	CW23
Pin Part No.	WP071	WP071DLC	WP024
Rings	see above	see above	see above
Price-Code	7	7	7
Stroke	62.10	62.10	85.00
Wössner/ OEM Comp. ratio	13.5:1 12.5:1	14.0:1 12.5:1	10.0:1 8.5:1
Dome Volume (CC)	-0.4 cm ³	+0.0 cm ³	+6.1 cm ³
Comp. Height (mm)	22.90	22.90	28.90
Gewicht (g)	-	235.00	-

	extra parts		
Wössner Connecting rods	P4013 `08-current	-	-
Needle bearing	-	-	-
Main bearing	1 x MB83C072C Right 1 x MB830053-4 Left	-	-

Suzuki® - 4 stroke



Alle Angaben zum Verdichtungsverhältnis, Domvolumen und Kolbengewicht beziehen sich nur auf unser Standardmaß DA.

All information on compression ratio, dome volume and piston weight is valid for our standard size DA only.

Model	DR650R / DR650S / DR650SE	DR650SE Pro Series
Years	90-95	96-09
Displ. (cc)	641	644

Piston Kit Part No.	Piston size (mm)	Over size (mm)	Ring Set Part No.	Piston Kit Part No.	Piston size (mm)	Over size (mm)	Ring Set Part No.
8503DA	94.94	Std.	950XSY	8591DA	99.94	Std.	1000XSY
8503D100	95.94	+1.00	960XSY	8591DB	99.95	+0.01	1000XSY
8503D150	96.44	+1.50	965XSY	8591DC	99.96	+0.02	1000XSY
8503D200	96.94	+2.00	970XSY	8591D100	100.94	+1.00	1010XSY

set includes		
Clip Part No.	CW23	CW23
Pin Part No.	WP024	WP024
Rings	see above	see above
Price-Code	7	7
Stroke	90.40	82.00
Wössner/ OEM Comp. ratio	10.0:1 9.7:1	HC 9.5:1
Dome Volume (CC)	+6.1 cm ³	-6.7 cm ³
Comp. Height (mm)	28.90	28.70

extra parts		
Wössner Connecting rods	-	-
Needle bearing	-	-
Main bearing	-	-

TM® - 2 stroke



New!

Model	85 Cross	125 Cross & Enduro	250 Cross & Enduro Domed 2. Ring
Years	08-current	92-current	99-current
Displ. (cc)	85	123	249

Piston Kit Part No.	Piston size (mm)	Over size (mm)	Ring Set Part No.	Piston Kit Part No.	Piston size (mm)	Over size (mm)	Ring Set Part No.	Piston Kit Part No.	Piston size (mm)	Over size (mm)	Ring Set Part No.
8285DA	47.90	Std.	RSB4800	8135DA	53.94	Std.	RSB5400	8136DA	66.33	Std.	RDB6640
8285DB	47.91	+0.01	RSB4800	8135DB	53.95	+0.01	RSB5400	8136DB	66.34	+0.01	RDB6640
8285DC	47.92	+0.02	RSB4800	8135DC	53.96	+0.02	RSB5400	8136DC	66.35	+0.02	RDB6640
				8135DD	53.97	+0.03	RSB5400	8136DD	66.36	+0.03	RDB6640
				8135DE	53.98	+0.04	RSB5400				

	set includes		
Clip Part No.	CW13	CW15	CW18
Pin Part No.	WP088	WP032	WP033
Rings	see above	see above	see above
Price-Code	1	2	3/1
Stroke	47.00	54.50	72.00
Comp. Height (mm)	24.00	29.00	38.00

	extra parts		
Wössner Connecting rods	-	-	-
Needle bearing	-	-	-
Main bearing	-	-	-

TM® - 2 stroke



Model	250 Cross & Enduro Domed 1. Ring	300 Cross & Enduro	300 Cross & Enduro with exhaust bar
Years	99-current	97-01	08-09 / 02-current
Displ. (cc)	249	300	300

Piston Kit Part No.	Piston size (mm)	Over size (mm)	Ring Set Part No.	Piston Kit Part No.	Piston size (mm)	Over size (mm)	Ring Set Part No.	Piston Kit Part No.	Piston size (mm)	Over size (mm)	Ring Set Part No.
8137DA	66.33	Std.	RSB6640	8054DA	71.93	Std.	RSB7200	8213DA	71.93	Std.	RSB7200
8137DB	66.34	+0.01	RSB6640	8054DB	71.94	+0.01	RSB7200	8213DB	71.94	+0.01	RSB7200
8137DC	66.35	+0.02	RSB6640	8054DC	71.95	+0.02	RSB7200	8213DC	71.95	+0.02	RSB7200
8137DD	66.36	+0.03	RSB6640								

	set includes		
Clip Part No.	CW18	CW18	CW18
Pin Part No.	WP033	WP033	WP033
Rings	see above	see above	see above
Price-Code	3/1	6/1	6/1
Stroke	72.00	73.70	73.70
Comp. Height (mm)	38.00	37.00	38.00

	extra parts		
Wössner Connecting rods	-	-	-
Needle bearing	-	-	-
Main bearing	-	-	-

TM® - 2 stroke



New!

Model	300 Cross & Enduro with exhaust bar 2 rings
Years	01-current
Displ. (cc)	-

Piston Kit Part No.	Piston size (mm)	Over size (mm)	Ring Set Part No.
8295DA	71.93	Std.	RST7200
8295DB	71.94	+0.01	RST7200
8295DC	71.95	+0.02	RST7200

set includes	
Clip Part No.	CW18
Pin Part No.	WP033
Rings	see above
Price-Code	6/1
Stroke	73.70
Comp. Height (mm)	38.00

extra parts	
Wössner Connecting rods	-
Needle bearing	-
Main bearing	-

TM® - 4 stroke



Alle Angaben zum Verdichtungsverhältnis, Domvolumen und Kolbengewicht beziehen sich nur auf unser Standardmaß DA.

All information on compression ratio, dome volume and piston weight is valid for our standard size DA only.

Model	250 F Cross & Enduro	250 F Cross & Enduro Fuel injection
Years	07-10	10
Displ. (cc)	249	250

Piston Kit Part No.	Piston size (mm)	Over size (mm)	Ring Set Part No.	Piston Kit Part No.	Piston size (mm)	Over size (mm)	Ring Set Part No.
8653DA	76.96	Std.	770XAS-2	8826DA	76.96	Std.	770XAS-2
8653DB	76.97	+0.01	770XAS-2	8826DB	76.97	+0.01	770XAS-2
8653DC	76.98	+0.02	770XAS-2	8826DC	76.98	+0.02	770XAS-2

set includes		
Clip Part No.	CW16	CW16
Pin Part No.	WP059	WP059
Rings	see above	see above
Price-Code	5/1	5/1
Stroke	53.60	53.70
Wössner/ OEM Comp. ratio	-	-
Dome Volume (CC)	-1.3 cm ³	-2.1 cm ³
Comp. Height (mm)	22.40	19.30

extra parts		
Wössner Connecting rods	-	-
Needle bearing	-	-
Main bearing	-	-

TM® - 4 stroke



Alle Angaben zum Verdichtungsverhältnis, Domvolumen und Kolbengewicht beziehen sich nur auf unser Standardmaß DA.

All information on compression ratio, dome volume and piston weight is valid for our standard size DA only.

Model	MX250F / EN250F Fuel injection	450 Cross & Enduro	450 Cross & Enduro
Years	11-12	04	05-08
Displ. (cc)	250	449	449

Piston Kit Part No.	Piston size (mm)	Over size (mm)	Ring Set Part No.	Piston Kit Part No.	Piston size (mm)	Over size (mm)	Ring Set Part No.	Piston Kit Part No.	Piston size (mm)	Over size (mm)	Ring Set Part No.
8839DA	76.96	Std.	770XAS-2	8586DA	94.96	Std.	950XDS	8714DA	94.96	Std.	950ADS-2
8839DB	76.97	+0.01	770XAS-2	8586DB	94.97	+0.01	950XDS	8714DB	94.97	+0.01	950ADS-2
8839DC	76.98	+0.02	770XAS-2					8714DC	94.98	+0.02	950ADS-2

	set includes		
Clip Part No.	CW16	CW19	CW19
Pin Part No.	WP059	WP037	WP037
Rings	see above	see above	see above
Price-Code	5/1	7/1	7/1
Stroke	53.60	63.40	63.40
Wössner/ OEM Comp. ratio	-	11.7:1 11.7:1	11.9:1 11.9:1
Dome Volume (CC)	-2.1 cm ³	-7.1 cm ³	-11.4 cm ³
Comp. Height (mm)	22.20	25.50	25.50

	extra parts		
Wössner Connecting rods	-	-	-
Needle bearing	-	-	-
Main bearing	-	-	-

TM® - 4 stroke



Alle Angaben zum Verdichtungsverhältnis, Domvolumen und Kolbengewicht beziehen sich nur auf unser Standardmaß DA.

All information on compression ratio, dome volume and piston weight is valid for our standard size DA only.

Model	MX-F450 / MX-Fi450 / EN-Fi450 Fuel injection from `11	530 Cross & Enduro
Years	09-10 / 11 / 11	03-12
Displ. (cc)	449	527

Piston Kit Part No.	Piston size (mm)	Over size (mm)	Ring Set Part No.	Piston Kit Part No.	Piston size (mm)	Over size (mm)	Ring Set Part No.
8820DA	94.96	Std.	950ADS-2	8654DA	97.95	Std.	980XSX
8820DB	94.97	+0.01	950ADS-2	8654DB	97.96	+0.01	980XSX
8820DC	94.98	+0.02	950ADS-2				

set includes		
Clip Part No.	CW19	CW20
Pin Part No.	WP037	WP038
Rings	see above	see above
Price-Code	7/1	7/1
Stroke	63.40	70.00
Wössner/ OEM Comp. ratio	13.0:1 13.0:1	11.9:1 11.9:1
Dome Volume (CC)	-6.4 cm ³	-13.7 cm ³
Comp. Height (mm)	21.00	26.80

extra parts		
Wössner Connecting rods	-	-
Needle bearing	-	-
Main bearing	-	-

VOR® - 4 stroke



Alle Angaben zum Verdichtungsverhältnis, Domvolumen und Kolbengewicht beziehen sich nur auf unser Standardmaß DA.

All information on compression ratio, dome volume and piston weight is valid for our standard size DA only.

Model	450 Cross & Enduro	503 Cross & Enduro	530 Cross & Enduro
Years	04-07	00-02	02-07
Displ. (cc)	444	503	444

Piston Kit Part No.	Piston size (mm)	Over size (mm)	Ring Set Part No.	Piston Kit Part No.	Piston size (mm)	Over size (mm)	Ring Set Part No.	Piston Kit Part No.	Piston size (mm)	Over size (mm)	Ring Set Part No.
8589DB	96.95	+0.01	970XSY	8554DA	94.94	Std.	950XSY	8555DA	96.94	Std.	970XSY
8589DC	96.96	+0.02	970XSY	8554DB	94.95	+0.01	950XSY	8555DB	96.95	+0.01	970XSY
				8554DC	94.96	+0.02	950XSY	8555DC	96.96	+0.02	970XSY

	set includes		
Clip Part No.	CW20	CW20	CW20
Pin Part No.	WP038	WP038	WP038
Rings	see above	see above	see above
Price-Code	7/1	7/1	7/1
Stroke	60.00	71.00	60.10
Wössner/ OEM Comp. ratio	12.0:1 12.0:1	11.8:1 11.8:1	12.1:1 12.1:1
Dome Volume (CC)	+9.8 cm ³	+2.4 cm ³	+4.2 cm ³
Comp. Height (mm)	21.80	22.00	22.00

	extra parts		
Wössner Connecting rods	-	-	-
Needle bearing	-	-	-
Main bearing	-	-	-

Yamaha® - 2 stroke



Model	YSR50	PW50	PW80 / BW80
Years	92	81-current	06 / 86-88 & 90
Displ. (cc)	-	-	-

Piston Kit Part No.	Piston size (mm)	Over size (mm)	Ring Set Part No.	Piston Kit Part No.	Piston size (mm)	Over size (mm)	Ring Set Part No.	Piston Kit Part No.	Piston size (mm)	Over size (mm)	Ring Set Part No.
8268DA	39.95	Std.	RDB4000	8267DA	39.95	Std.	RSB4000	8233DA	46.95	Std.	RSB4700
8268D050	40.45	+0.50	RDB4050	8267D050	40.45	+0.50	RSB4050	8233D050	47.45	+0.50	RSB4750
8268D100	40.95	+1.00	RDB4100	8267D100	40.95	+1.00	RSB4100	8233D100	47.95	+1.00	RSB4800
8268D150	41.45	+1.50	RDB4150	8267D150	41.45	+1.50	RSB4150	8233D150	48.45	+1.50	RSB4850
8268D200	41.95	+2.00	RDB4200	8267D200	41.95	+2.00	RSB4200	8233D200	48.95	+2.00	RSB4900
8268D250	42.45	+2.50	RDB4250								
8268D300	42.95	+3.00	RDB4300								

	set includes		
Clip Part No.	CW12	CW10	CW12
Pin Part No.	WP101	WP105	WP091
Rings	see above	see above	see above
Price-Code	1	1	1/1
Stroke	39.00	39.20	45.60
Comp. Height (mm)	23.30	24.90	29.50

	extra parts		
Wössner Connecting rods	-	-	-
Needle bearing	-	-	N1037
Main bearing	-	2 x MB6203C3	2 x MB6205C3

Yamaha® - 2 stroke



Model	YZ80	YZ80	YZ80
Years	76-80	81	82-83
Displ. (cc)	79	79	79

Piston Kit Part No.	Piston size (mm)	Over size (mm)	Ring Set Part No.	Piston Kit Part No.	Piston size (mm)	Over size (mm)	Ring Set Part No.	Piston Kit Part No.	Piston size (mm)	Over size (mm)	Ring Set Part No.
8183DA	48.95	Std.	RSB4900	8184DA	48.95	Std.	RSB4900	8185DA	46.95	Std.	RSB4700
8183D050	49.45	+0.50	RSB4950	8184D050	49.45	+0.50	RSB4950	8185D050	47.45	+0.50	RSB4750
8183D100	49.95	+1.00	RSB5000	8184D100	49.95	+1.00	RSB5000	8185D100	47.95	+1.00	RSB4800
8183D150	50.45	+1.50	RSB5050	8184D150	50.45	+1.50	RSB5050	8185D150	48.45	+1.50	RSB4850
8183D200	50.95	+2.00	RSB5100	8184D200	50.95	+2.00	RSB5100	8185D200	48.95	+2.00	RSB4900

	set includes		
Clip Part No.	CW12	CW12	CW12
Pin Part No.	WP091	WP091	WP091
Rings	see above	see above	see above
Price-Code	1/1	1/1	1/1
Stroke	42.00	42.00	45.60
Comp. Height (mm)	29.50	24.20	27.20

	extra parts		
Wössner Connecting rods	-	-	-
Needle bearing	N1037	N1002	N1002
Main bearing	-	-	2 x MB6204C3

Yamaha® - 2 stroke



Model	YZ80	YZ80	YZ80
Years	84	85-87	88-92
Displ. (cc)	82	82	82

Piston Kit Part No.	Piston size (mm)	Over size (mm)	Ring Set Part No.	Piston Kit Part No.	Piston size (mm)	Over size (mm)	Ring Set Part No.	Piston Kit Part No.	Piston size (mm)	Over size (mm)	Ring Set Part No.
8214DA	47.95	Std.	RSB4800	8186DA	47.95	Std.	RSB4800	8187DA	47.95	Std.	RSB4800
8214D050	48.45	+0.50	RSB4850	8186D050	48.45	+0.50	RSB4850	8187D050	48.45	+0.50	RSB4850
8214D100	48.95	+1.00	RSB4900	8186D100	48.95	+1.00	RSB4900	8187D100	48.95	+1.00	RSB4900
8214D150	49.45	+1.50	RSB4950	8186D150	49.45	+1.50	RSB4950	8187D150	49.45	+1.50	RSB4950
8214D200	49.95	+2.00	RSB5000	8186D200	49.95	+2.00	RSB5000	8187D200	49.95	+2.00	RSB5000

	set includes		
Clip Part No.	CW12	CW12	CW12
Pin Part No.	WP091	WP091	WP091
Rings	see above	see above	see above
Price-Code	1/1	1	1/1
Stroke	45.60	45.60	45.60
Comp. Height (mm)	27.00	26.80	27.00

	extra parts		
Wössner Connecting rods	-	-	-
Needle bearing	N1004	N1004	N1004
Main bearing	2 x MB6204C3	2 x MB6204C3	2 x MB6204C3

Yamaha® - 2 stroke



Model	YZ80 U.S. Bore	YZ80 International Bore	MX80 / TY80 / YZ80 / GT1
Years	93-01	93-01	80-82 / 74-75 / 74-75 / 73-75
Displ. (cc)	82	82	-

Piston Kit Part No.	Piston size (mm)	Over size (mm)	Ring Set Part No.	Piston Kit Part No.	Piston size (mm)	Over size (mm)	Ring Set Part No.	Piston Kit Part No.	Piston size (mm)	Over size (mm)	Ring Set Part No.
8188DA	46.95	Std.	RSB4700	8239DA	45.95	Std.	RSB4600	8269DA	46.95	Std.	RSB4700
8188DB	46.96	+0.01	RSB4700	8239D050	46.45	+0.50	RSB4650	8269D150	48.45	+1.50	RSB4850
8188DC	46.97	+0.02	RSB4700	8239D100	46.95	+1.00	RSB4700	8269D200	48.95	+2.00	RSB4900
8188DD	46.98	+0.03	RSB4700	8239D150	47.45	+1.50	RSB4750				
8188D050	47.45	+0.50	RSB4750								
8188D100	47.95	+1.00	RSB4800								
8188D150	48.45	+1.50	RSB4850								
8188D200	48.95	+2.00	RSB4900								

	set includes		
Clip Part No.	CW14	CW14	CW12
Pin Part No.	WP058	WP058	WP091
Rings	see above	see above	see above
Price-Code	1/1	1	1
Stroke	47.80	47.80	42.00
Comp. Height (mm)	26.00	26.00	29.40

	extra parts		
Wössner Connecting rods	P2008	P2008	-
Needle bearing	N1006	N1006	N1037
Main bearing	1 x MB6204C3 `Left 1 x MB6304C3 `Right	1 x MB6204C3 `Left 1 x MB6304C3 `Right	-

Yamaha® - 2 stroke



Model	YZ85	125DTE / 125DTF / 125DTMX / 125DTLC	DT125R / DT125 E / DT125X (domed)
Years	02-current	75-92	89-06
Displ. (cc)	85	124	124

Piston Kit Part No.	Piston size (mm)	Over size (mm)	Ring Set Part No.	Piston Kit Part No.	Piston size (mm)	Over size (mm)	Ring Set Part No.	Piston Kit Part No.	Piston size (mm)	Over size (mm)	Ring Set Part No.
8104DA	47.45	Std.	RSB4750	8003DA	55.94	Std.	RDB5600	8002DA	55.94	Std.	RDB5600
8104DB	47.46	+0.01	RSB4750	8003D025	56.19	+0.25	RDB5625	8002D025	56.19	+0.25	RDB5625
8104DC	47.47	+0.02	RSB4750	8003D050	56.44	+0.50	RDB5650	8002D050	56.44	+0.50	RDB5650
				8003D075	56.69	+0.75	RDB5675	8002D075	56.69	+0.75	RDB5675
				8003D100	56.94	+1.00	RDB5700	8002D100	56.94	+1.00	RDB5700
				8003D125	57.19	+1.25	RDB5725	8002D125	57.19	+1.25	RDB5725
				8003D150	57.44	+1.50	RDB5750	8002D150	57.44	+1.50	RDB5750
								8002D200	57.94	+2.00	RDB5800
								8002D250	58.44	+2.50	RDB5850
								8002D300	58.94	+3.00	RDB5900
								8002D400	59.94	+4.00	RDB6000
								8002D500	60.94	+5.00	RDB6100

	set includes		
Clip Part No.	CW14	CW16	CW16
Pin Part No.	WP058	WP036	WP036
Rings	see above	see above	see above
Price-Code	1	2	2
Stroke	47.80	50.70	50.70
Comp. Height (mm)	26.00	29.90	29.90

	extra parts		
Wössner Connecting rods	P2008 `02-current	-	P2050
Needle bearing	N1006	N1016	N1016
Main bearing	1 x MB6204C3 `Left 1 x MB6304C3 `Right	-	-

Yamaha® - 2 stroke



Model	TZR125R / TDR125 Flat top	YZ125	YZ125
Years	92-98	76-82	83
Displ. (cc)	124	123	123

Piston Kit Part No.	Piston size (mm)	Over size (mm)	Ring Set Part No.	Piston Kit Part No.	Piston size (mm)	Over size (mm)	Ring Set Part No.	Piston Kit Part No.	Piston size (mm)	Over size (mm)	Ring Set Part No.
8006DA	55.94	Std.	RDB5600	8115DA	55.94	Std.	RSB5600	8119DA	55.94	Std.	RSB5600
8006DB	55.95	+0.01	RDB5600	8115D050	56.44	+0.50	RSB5650	8119D050	56.44	+0.50	RSB5650
8006DC	55.96	+0.02	RDB5600	8115D100	56.94	+1.00	RSB5700	8119D100	56.94	+1.00	RSB5700
8006D050	56.44	+0.50	RDB5650	8115D150	57.44	+1.50	RSB5750	8119D150	57.44	+1.50	RSB5750
8006D100	56.94	+1.00	RDB5700	8115D200	57.94	+2.00	RSB5800	8119D200	57.94	+2.00	RSB5800
8006D150	57.44	+1.50	RDB5750								
8006D175	57.69	+1.75	RDB5775								
8006D200	57.94	+2.00	RDB5800								

set includes			
Clip Part No.	CW16	CW16	CW16
Pin Part No.	WP036	WP036	WP036
Rings	see above	see above	see above
Price-Code	2	2/1	2/1
Stroke	50.70	50.00	50.00
Comp. Height (mm)	29.90	30.00	30.80

extra parts			
Wössner Connecting rods	P2050	-	-
Needle bearing	N1016	N1013	N1013
Main bearing	-	-	1 x MB6205C3 `Left 1 x MB6304C3 `Right

Yamaha® - 2 stroke



Model	YZ125	YZ125	YZ125
Years	84	85	86-88
Displ. (cc)	123	123	123

Piston Kit Part No.	Piston size (mm)	Over size (mm)	Ring Set Part No.	Piston Kit Part No.	Piston size (mm)	Over size (mm)	Ring Set Part No.	Piston Kit Part No.	Piston size (mm)	Over size (mm)	Ring Set Part No.
8120DA	55.94	Std.	RSB5600	8119DA	55.94	Std.	RSB5600	8118DA	55.94	Std.	RSB5600
8120D050	56.44	+0.50	RSB5650	8119D050	56.44	+0.50	RSB5650	8118D050	56.44	+0.50	RSB5650
8120D100	56.94	+1.00	RSB5700	8119D100	56.94	+1.00	RSB5700	8118D075	56.69	+0.75	RSB5675
8120D150	57.44	+1.50	RSB5750	8119D150	57.44	+1.50	RSB5750	8118D100	56.94	+1.00	RSB5700
8120D200	57.94	+2.00	RSB5800	8119D200	57.94	+2.00	RSB5800	8118D125	57.19	+1.25	RSB5725
								8118D150	57.44	+1.50	RSB5750
								8118D200	57.94	+2.00	RSB5800

set includes			
Clip Part No.	CW16	CW16	CW16
Pin Part No.	WP036	WP036	WP036
Rings	see above	see above	see above
Price-Code	2/1	2/1	2/1
Stroke	50.00	50.00	50.00
Comp. Height (mm)	30.80	30.80	30.00

extra parts			
Wössner Connecting rods	-	-	P2047
Needle bearing	N1013	N1013	N1013
Main bearing	1 x MB6205C3 `Left 1 x MB6304C3 `Right	1 x MB6205C3 `Left 1 x MB6304C3 `Right	2 x MB6322C4

Yamaha® - 2 stroke



Model	YZ125	YZ125	YZ125
Years	89	90-93	94-96
Displ. (cc)	123	124	124

Piston Kit Part No.	Piston size (mm)	Over size (mm)	Ring Set Part No.	Piston Kit Part No.	Piston size (mm)	Over size (mm)	Ring Set Part No.	Piston Kit Part No.	Piston size (mm)	Over size (mm)	Ring Set Part No.
8131DA	55.94	Std.	RSB5600	8114DA	55.94	Std.	RSB5600	8116DA	53.94	Std.	RSB5400
8131DB	55.95	+0.01	RSB5600	8114DB	55.95	+0.01	RSB5600	8116DB	53.95	+0.01	RSB5400
8131D050	56.44	+0.50	RSB5650	8114DC	55.96	+0.02	RSB5600	8116D050	54.44	+0.50	RSB5450
8131D100	56.94	+1.00	RSB5700	8114D050	56.44	+0.50	RSB5650	8116D100	54.94	+1.00	RSB5500
				8114D100	56.94	+1.00	RSB5700	8116D200	55.94	+2.00	RSB5600
				8114D150	57.44	+1.50	RSB5750				
				8114D200	57.94	+2.00	RSB5800				

set includes			
Clip Part No.	CW16	CW16	CW16
Pin Part No.	WP036	WP036	WP036
Rings	see above	see above	see above
Price-Code	2	2	2
Stroke	50.00	50.70	54.50
Comp. Height (mm)	28.00	28.00	28.00

extra parts			
Wössner Connecting rods	P2047	P2047	P2047
Needle bearing	N1013	N1013	N1013
Main bearing	2 x MB6322C4	2 x MB6322C4	2 x MB6322C4

Yamaha® - 2 stroke



Model	YZ125	YZ125 / WR125	YZ125
Years	97	98-01	02-04
Displ. (cc)	124	125	125

Piston Kit Part No.	Piston size (mm)	Over size (mm)	Ring Set Part No.	Piston Kit Part No.	Piston size (mm)	Over size (mm)	Ring Set Part No.	Piston Kit Part No.	Piston size (mm)	Over size (mm)	Ring Set Part No.
8117DA	53.94	Std.	RSB5400	8091DA	53.95	Std.	RSB5400	8072DA	53.94	Std.	RSB5400
8117DB	53.95	+0.01	RSB5400	8091DB	53.96	+0.01	RSB5400	8072DB	53.95	+0.01	RSB5400
8117DC	53.96	+0.02	RSB5400	8091DC	53.97	+0.02	RSB5400	8072DC	53.96	+0.02	RSB5400
8117D200	55.94	+2.00	RSB5600	8091D050	54.45	+0.50	RSB5450	8072D200	55.94	+2.00	RSB5600
				8091D100	54.95	+1.00	RSB5500				
				8091D200	55.95	+2.00	RSB5600				

set includes			
Clip Part No.	CW15	CW15	CW15
Pin Part No.	WP032	WP032	WP032
Rings	see above	see above	see above
Price-Code	2/1	2	2
Stroke	54.50	54.50	54.50
Comp. Height (mm)	28.00	28.00	28.00

extra parts			
Wössner Connecting rods	P2019	P2019 '97-00 P2017 '01-04	P2017
Needle bearing	N1011	N1011	N1043 replaced by N1047
Main bearing	2 x MB6322C4	2 x MB6322C4	2 x MB6322C4

Yamaha® - 2 stroke



Model	YZ125	DT200R	WR200
Years	05-current	88-91	92-98
Displ. (cc)	125	195	195

Piston Kit Part No.	Piston size (mm)	Over size (mm)	Ring Set Part No.	Piston Kit Part No.	Piston size (mm)	Over size (mm)	Ring Set Part No.	Piston Kit Part No.	Piston size (mm)	Over size (mm)	Ring Set Part No.
8160DA	53.95	Std.	RSB5400	8070DA	65.94	Std.	RDB6600	8070D080	66,74	Std.	RDB6675
8160DB	53.96	+0.01	RSB5400	8070D040	66.34	+0,40	RDB6640	8070D100	66.94	+0.20	RDB6700
8160DC	53.97	+0.02	RSB5400	8070D050	66.44	+0.50	RDB6650	8070D150	67.44	+0.70	RDB6750
8160D200	55.95	+2.00	RSB5600	8070D080	66.74	+0,80	RDB6675	8070D200	67.94	+1.30	RDB6800
8160D400	57.95	+4.00	RSB5800	8070D100	66.94	+1.00	RDB6700	8070D250	68.44	+1.80	RDB6850
				8070D150	67.44	+1.50	RDB6750	8070D300	68.94	+2.30	RDB6900
				8070D200	67.94	+2.00	RDB6800				
				8070D250	68.44	+2.50	RDB6850				
				8070D300	68.94	+3.00	RDB6900				
				8070D600	71.94	+6.00	RDB7200				
				8070D650	72.44	+6,50	RDB7250				
				8070D700	72.94	+7.00	RDB7300				
				8070D800	73.94	+8.00	RDB7400				

	set includes		
Clip Part No.	CW15	CW16	CW16
Pin Part No.	WP032	WP027	WP027
Rings	see above	see above	see above
Price-Code	2	3	3
Stroke	54.50	57.00	57.00
Comp. Height (mm)	28.00	29.90	29.90

	extra parts		
Wössner Connecting rods	P2018 `05-current	-	-
Needle bearing	N1047	N1016	N1016
Main bearing	2 x MB6322C4	-	-

Yamaha® - 2 stroke



Model	YZ250 / IT250 / TY250 / MC250 / DT250	YZ250 / IT250	YZ250
Years	76-79 / 78-80 / 74-78 / 73-75 / 74-79	80-82 / 81-82	83-87
Displ. (cc)	246	246	246

Piston Kit Part No.	Piston size (mm)	Over size (mm)	Ring Set Part No.	Piston Kit Part No.	Piston size (mm)	Over size (mm)	Ring Set Part No.	Piston Kit Part No.	Piston size (mm)	Over size (mm)	Ring Set Part No.
8179DA	69.94	Std.	RDB7000	8180DA	69.94	Std.	RDB7000	8133DA	67.94	Std.	RDB6800
8179D050	70.44	+0.50	RDB7050	8180D025	70.19	+0.25	RDB7025	8133D025	68.19	+0.25	RDB6825
8179D100	70.94	+1.00	RDB7100	8180D050	70.44	+0.50	RDB7050	8133D050	68.44	+0.50	RDB6850
8179D150	71.44	+1.50	RDB7150	8180D075	70.69	+0.75	RDB7075	8133D075	68.69	+0.75	RDB6875
8179D200	71.94	+2.00	RDB7200	8180D100	70.94	+1.00	RDB7100	8133D100	68.94	+1.00	RDB6900
				8180D150	71.44	+1.50	RDB7150	8133D125	69.19	+1.25	RDB6925
				8180D200	71.94	+2.00	RDB7200	8133D150	69.44	+1.50	RDB6950
								8133D200	69.94	+2.00	RDB7000

set includes			
Clip Part No.	CW18	CW18	CW18
Pin Part No.	WP033	WP033	WP033
Rings	see above	see above	see above
Price-Code	3/1	3/1	3/1
Stroke	64.00	64.00	68.00
Comp. Height (mm)	33.00	33.00	36.00

extra parts			
Wössner Connecting rods	-	-	P2048 '83-89
Needle bearing	N1021	N1021 '76-82 N1022 '82-98	N1022
Main bearing	-	-	2 x MB6206C3

Yamaha® - 2 stroke



Model	YZ250 / WR250	YZ250 / WR250	YZ250
Years	88-91	92-98 / 92-99	99-current
Displ. (cc)	246	246	249

Piston Kit Part No.	Piston size (mm)	Over size (mm)	Ring Set Part No.	Piston Kit Part No.	Piston size (mm)	Over size (mm)	Ring Set Part No.	Piston Kit Part No.	Piston size (mm)	Over size (mm)	Ring Set Part No.
8134DA	67.94	Std.	RDB6800	8023DA	67.94	Std.	RDB6800	8216DA	66.35	Std.	RDB6640
8134DB	67.95	+0.01	RDB6800	8023DB	67.95	+0.01	RDB6800	8216DB	66.36	+0.01	RDB6640
8134D025	68.19	+0.25	RDB6825	8023DC	67.96	+0.02	RDB6800	8216DC	66.37	+0.02	RDB6640
8134D050	68.44	+0.50	RDB6850	8023D050	68.44	+0.50	RDB6850				
8134D100	68.94	+1.00	RDB6900	8023D100	68.94	+1.00	RDB6900				
8134D125	69.19	+1.25	RDB6925	8023D200	69.94	+2.00	RDB7000				
8134D150	69.44	+1.50	RDB6950								
8134D200	69.94	+2.00	RDB7000								

	set includes		
Clip Part No.	CW18	CW18	CW18
Pin Part No.	WP033	WP033	WP033
Rings	see above	see above	see above
Price-Code	3/1	3	3
Stroke	68.00	68.00	68.00
Comp. Height (mm)	36.00	36.00	38.00

	extra parts		
Wössner Connecting rods	P2048 `83-89 P2029 `90-98	P2029 `90-98 P2028 `99-current	P2028 `99-current
Needle bearing	N1022	N1022	N1021
Main bearing	2 x MB6328C3	2 x MB6328C3	2 x MB6328C3

Yamaha® - 2 stroke



Model	YZ250 Single Ring	175CT-2 / 175CT / 175DT / 175MX	DT175
Years	99-current	77 / 77 / 79-81 / 79-82	82-10
Displ. (cc)	249	172	171

Piston Kit Part No.	Piston size (mm)	Over size (mm)	Ring Set Part No.	Piston Kit Part No.	Piston size (mm)	Over size (mm)	Ring Set Part No.	Piston Kit Part No.	Piston size (mm)	Over size (mm)	Ring Set Part No.
8217DA	66.35	Std.	RSB6640	8182DA	65.94	Std.	RDB6600	8256DA	65.94	Std.	RDB6600
8217DB	66.36	+0.01	RSB6640	8182D050	66.44	+0.50	RDB6650	8256D050	66.44	+0.50	RDB6650
8217DC	66.37	+0.02	RSB6640	8182D100	66.94	+1.00	RDB6700	8256D100	66.94	+1.00	RDB6700
				8182D150	67.44	+1.50	RDB6750	8256D150	67.44	+1.50	RDB6750
				8182D200	67.94	+2.00	RDB6800	8256D200	67.94	+2.00	RDB6800

	set includes		
Clip Part No.	CW18	CW16	CW16
Pin Part No.	WP033	WP027	WP027
Rings	see above	see above	see above
Price-Code	3/1	3/1	3/1
Stroke	68.00	50.00	50.00
Comp. Height (mm)	38.00	30.00	35.00

	extra parts		
Wössner Connecting rods	P2028 '99-current	-	-
Needle bearing	N1021	-	-
Main bearing	2 x MB6328C3	-	-

Yamaha® - 2 stroke



Model	YZ175 / IT175	IT200	RD400 / RD350
Years	76-81	84-86	76-82 / 73-90
Displ. (cc)	172	195	347

Piston Kit Part No.	Piston size (mm)	Over size (mm)	Ring Set Part No.	Piston Kit Part No.	Piston size (mm)	Over size (mm)	Ring Set Part No.	Piston Kit Part No.	Piston size (mm)	Over size (mm)	Ring Set Part No.
8177DA	65.94	Std.	RDB6600	8176DA	65.94	Std.	RDB6600	8075DA	63.94	Std.	RDB6400
8177D050	66.44	+0.50	RDB6650	8176D050	66.44	+0.50	RDB6650	8075DB	63.95	+0.01	RDB6400
8177D100	66.94	+1.00	RDB6700	8176D100	66.94	+1.00	RDB6700	8075D025	64.19	+0.25	RDB6425
8177D150	67.44	+1.50	RDB6750	8176D150	67.44	+1.50	RDB6750	8075D050	64.44	+0.50	RDB6450
8177D200	67.94	+2.00	RDB6800	8176D200	67.94	+2.00	RDB6800	8075D075	64.69	+0.75	RDB6475
								8075D100	64.94	+1.00	RDB6500
								8075D125	65.19	+1.25	RDB6525
								8075D150	65.44	+1.50	RDB6550
								8075D200	65.94	+2.00	RDB6600
								8075D250	66.44	+2.50	RDB6650

set includes			
Clip Part No.	CW16	CW16	CW16
Pin Part No.	WP027	WP027	WP027
Rings	see above	see above	see above
Price-Code	3/1	3/1	8
Stroke	50.00	57.00	54.00
Comp. Height (mm)	30.00	30.00	36.00

extra parts			
Wössner Connecting rods	-	-	P2035 `87-06
Needle bearing	-	N1017	N1017
Main bearing	-	-	-

Yamaha® - 2 stroke



Model	DT400 / MX400
Years	75-78 / 75-76
Displ. (cc)	398

Piston Kit Part No.	Piston size (mm)	Over size (mm)	Ring Set Part No.
8263DA	84.92	Std.	RDC8500
8263D050	85.42	+0.50	RDC8550
8263D100	85.92	+1.00	RDC8600
8263D150	86.42	+1.50	RDC8650

set includes	
Clip Part No.	CW18
Pin Part No.	WP042
Rings	see above
Price-Code	6
Stroke	70.00
Comp. Height (mm)	40.00

extra parts	
Wössner Connecting rods	-
Needle bearing	N1021
Main bearing	-

Yamaha® - 2 stroke



Model	YZ400 / IT425	YZ465 / IT465	YZ490 / IT490
Years	77-78	81-82 / 80-81	82-83 / 83-84
Displ. (cc)	398	465	465

Piston Kit Part No.	Piston size (mm)	Over size (mm)	Ring Set Part No.	Piston Kit Part No.	Piston size (mm)	Over size (mm)	Ring Set Part No.	Piston Kit Part No.	Piston size (mm)	Over size (mm)	Ring Set Part No.
8264D100	85.92	+1.00	RDC8600	8265DA	84.92	Std.	RDC8500	8266DA	86.92	Std.	RDC8700
8264D150	86.42	+1.50	RDC8650	8265D050	85.42	+0.50	RDC8550	8266D050	87.42	+0.50	RDC8750
8264D200	86.92	+2.00	RDC8700	8265D100	85.92	+1.00	RDC8600	8266D100	87.92	+1.00	RDC8800
				8265D150	86.42	+1.50	RDC8650	8266D150	88.42	+1.50	RDC8850
								8266D200	88.92	+2.00	RDC8900

	set includes		
Clip Part No.	CW18	CW18	CW18
Pin Part No.	WP042	WP042	WP042
Rings	see above	see above	see above
Price-Code	6	6	6
Stroke	70.00	82.00	82.00
Comp. Height (mm)	35.00	40.00	40.00

	extra parts		
Wössner Connecting rods	-	-	-
Needle bearing	N1021	N1022	N1022
Main bearing	-	-	-

Yamaha® - 4 stroke



Alle Angaben zum Verdichtungsverhältnis, Domvolumen und Kolbengewicht beziehen sich nur auf unser Standardmaß DA.

All information on compression ratio, dome volume and piston weight is valid for our standard size DA only.

Model	XT125	TTR125 / XT125X / XT125XR / YBR125	YZ250F / WR250F Pro Serie 2. Ring
Years	all	01-13	01-04
Displ. (cc)	124	124	249

Piston Kit Part No.	Piston size (mm)	Over size (mm)	Ring Set Part No.	Piston Kit Part No.	Piston size (mm)	Over size (mm)	Ring Set Part No.	Piston Kit Part No.	Piston size (mm)	Over size (mm)	Ring Set Part No.
8553DA	59.95	Std.	600XKS	8649DA	53.94	Std.	540XKS	8572DA	76.96	Std.	770XAS-2
8553D500	64.95	+5.00	650XKS	8649D050	54.44	+0.50	545XKS	8572DB	76.97	+0.01	770XAS-2
				8649D100	54.94	+1.00	550XKS	8572DC	76.98	+0.02	770XAS-2
								8572D200	78.96	+2.00	790XDS
								8572D300	79.96	+3.00	800XDS
								8572D600	82.96	+6.00	830XSY

set includes			
Clip Part No.	CW15	CW15	CW16
Pin Part No.	WP011	WP011	WP059
Rings	see above	see above	see above
Price-Code	4/1	4/1	4/1
Stroke	43.90	54.00	53.60
Wössner/ OEM Comp. ratio	10.0:1 10.0:1	10.3:1 10.3:1	12.8:1 12.5:1
Dome Volume (CC)	+4.8 cm ³	+4.1 cm ³	-4.8 cm ³
Comp. Height (mm)	24.00	20.20	20.50

extra parts			
Wössner Connecting rods	-	-	P4006 `01-02 P4005 `03-13
Needle bearing	-	-	-
Main bearing	-	-	2 x MB830046-1

Yamaha® - 4 stroke



Alle Angaben zum Verdichtungsverhältnis, Domvolumen und Kolbengewicht beziehen sich nur auf unser Standardmaß DA.

All information on compression ratio, dome volume and piston weight is valid for our standard size DA only.

Model	YZ250F / WR250F 3. Ring	YZ250F / WR250F Pro Series 2. Ring	YZ250F / WR250F 3. Ring
Years	01-04 / 01-04	05-07	05-07
Displ. (cc)	249	249	249

Piston Kit Part No.	Piston size (mm)	Over size (mm)	Ring Set Part No.	Piston Kit Part No.	Piston size (mm)	Over size (mm)	Ring Set Part No.	Piston Kit Part No.	Piston size (mm)	Over size (mm)	Ring Set Part No.
8559DA	76.96	Std.	770XAS-2	8612DA	76.96	Std.	770XAS-2	8614DA	76.96	Std.	770XAS
8559DB	76.97	+0.01	770XAS-2	8612DB	76.97	+0.01	770XAS-2	8614DB	76.97	+0.01	770XAS
8559DC	76.98	+0.02	770XAS-2	8612DC	76.98	+0.02	770XAS-2	8614DC	76.98	+0.02	770XAS
8559D200	78.96	+2.00	790XAS					8614D200	78.96	+2.00	790XMS

	set includes		
Clip Part No.	CW16	CW16	CW16
Pin Part No.	WP059	WP059	WP070
Rings	see above	see above	see above
Price-Code	4/1	5/1	5
Stroke	53.6	53.6	53.6
Wössner/ OEM Comp. ratio	12.5:1 12.5:1	13.5:1 12.5:1	12.5:1 12.5:1
Dome Volume (CC)	-4.7 cm ³	-2.8 cm ³	-4.5 cm ³
Comp. Height (mm)	22.20	22.20	22.20

	extra parts		
Wössner Connecting rods	P4006 `01-02 P4005 `03-13	P4005 `03-13	P4005 `03-13
Needle bearing	-	-	-
Main bearing	2 x MB830046-1	2 x MB830046-1	2 x MB830046-1

Yamaha® - 4 stroke



Alle Angaben zum Verdichtungsverhältnis, Domvolumen und Kolbengewicht beziehen sich nur auf unser Standardmaß DA.

All information on compression ratio, dome volume and piston weight is valid for our standard size DA only.

New!

Model	YZ250F / WR250F 3. Ring	YZ250F / WR250F Pro Series - 2. Ring	YZF250
Years	08-13	08-13	14-current
Displ. (cc)	249	249	249

Piston Kit Part No.	Piston size (mm)	Over size (mm)	Ring Set Part No.	Piston Kit Part No.	Piston size (mm)	Over size (mm)	Ring Set Part No.	Piston Kit Part No.	Piston size (mm)	Over size (mm)	Ring Set Part No.
8712DA	76.96	Std.	770XAS-2	8713DA	76.96	Std.	770XAS-2	8893DA	76.95	Std.	770XAS-2
8712DB	76.97	+0.01	770XAS-2	8713DB	76.97	+0.01	770XAS-2	8893DB	76.96	+0.01	770XAS-2
8712DC	76.98	+0.02	770XAS-2	8713DC	76.98	+0.02	770XAS-2	8893DC	76.97	+0.02	770XAS-2
				8713D300	79.96	+3.00	800XDS				

	set includes		
Clip Part No.	CW16	CW16	CW16
Pin Part No.	WP059	WP070	WP087
Rings	see above	see above	see above
Price-Code	5/1	5/1	5
Stroke	53.60	53.60	53.60
Wössner/ OEM Comp. ratio	13.5:1 13.5:1	14.1:1 13.5:1	13.7:1 13.5:1
Dome Volume (CC)	-2.9 cm ³	-5.0 cm ³	-3.0 cm ³
Comp. Height (mm)	22.20	22.50	20.20

	extra parts		
Wössner Connecting rods	P4005 `03-13	P4005 `03-13	P4063 `14
Needle bearing	-	-	-
Main bearing	2 x MB830046-1	2 x MB830046-1	-

Yamaha® - 4 stroke



Alle Angaben zum Verdichtungsverhältnis, Domvolumen und Kolbengewicht beziehen sich nur auf unser Standardmaß DA.

All information on compression ratio, dome volume and piston weight is valid for our standard size DA only.

New!

Model	YZF250 Pro Series	TTR250	WR250X
Years	14-current	99-09	08-current
Displ. (cc)	249	249	249

Piston Kit Part No.	Piston size (mm)	Over size (mm)	Ring Set Part No.	Piston Kit Part No.	Piston size (mm)	Over size (mm)	Ring Set Part No.	Piston Kit Part No.	Piston size (mm)	Over size (mm)	Ring Set Part No.
8894DA	76.95	Std.	770XAS-2	8646DA	72.95	Std.	730XDS	8729DA	76.96	Std.	770XAS-2
8894DB	76.96	+0.01	770XAS-2	8646D050	73.45	+0.50	735XDS	8729DB	76.97	+0.01	770XAS-2
8894DC	76.97	+0.02	770XAS-2	8646D100	73.95	+1.00	740XDS				
				8646D150	74.45	+1.50	745XDS				
				8646D200	74.95	+2.00	750XDS				

	set includes		
Clip Part No.	CW16	CW18	CW17
Pin Part No.	WP087	WP031	WP083
Rings	see above	see above	see above
Price-Code	5	5/1	5/1
Stroke	53.60	59.60	53.60
Wössner/ OEM Comp. ratio	14.5:1 13.5:1	10.2:1 10.2:1	11.8:1 11.8:1
Dome Volume (CC)	-2.5 cm ³	+1.4 cm ³	-5.9 cm ³
Comp. Height (mm)	20.50	23.60	22.90

	extra parts		
Wössner Connecting rods	P4063 `14	-	-
Needle bearing	-	-	-
Main bearing	-	-	-

Yamaha® - 4 stroke



Alle Angaben zum Verdichtungsverhältnis, Domvolumen und Kolbengewicht beziehen sich nur auf unser Standardmaß DA.

All information on compression ratio, dome volume and piston weight is valid for our standard size DA only.

Model	WR250X Pro Series	TT350 / XT350	YZ400F / WR400F
Years	08-current	85-88 / 85-00	98-99
Displ. (cc)	249	346	399

Piston Kit Part No.	Piston size (mm)	Over size (mm)	Ring Set Part No.	Piston Kit Part No.	Piston size (mm)	Over size (mm)	Ring Set Part No.	Piston Kit Part No.	Piston size (mm)	Over size (mm)	Ring Set Part No.
8772DA	76.96	Std.	770XAS-2	8502DA	85.93	Std.	860XSY	8603DA	91.95	Std.	920XSY
8772DB	76.97	+0.01	770XAS-2	8502D050	86.43	+0.50	865XSY	8603DB	91.96	+0.01	920XSY
				8502D100	86.93	+1.00	870XSY	8603DC	91.97	+0.02	920XSY
				8502D150	87.43	+1.50	875XSY	8603D100	92.95	+1.00	930XSY
				8502D200	87.93	+2.00	880XSY	8603D200	93.95	+2.00	940XSY
				8502D250	88.43	+2.50	885XSY				

set includes			
Clip Part No.	CW17	CW19	CW18
Pin Part No.	WP083	WP050	WP053
Rings	see above	see above	see above
Price-Code	5/1	5/1	7
Stroke	53.60	59.60	60.10
Wössner/ OEM Comp. ratio	13.5:1 11.8:1	9.0:1 9.0:1	12.5:1 12.5:1
Dome Volume (CC)	-2.9 cm ³	-1.5 cm ³	+8.4 cm ³
Comp. Height (mm)	22.90	25.00	24.50

extra parts			
Wössner Connecting rods	-	-	-
Needle bearing	-	-	-
Main bearing	-	-	2 x MB83C072C

Yamaha® - 4 stroke



Alle Angaben zum Verdichtungsverhältnis, Domvolumen und Kolbengewicht beziehen sich nur auf unser Standardmaß DA.

All information on compression ratio, dome volume and piston weight is valid for our standard size DA only.

Model	YZ400F / WR400F Pro Series	YZ426F / WR426F	YZ426F / WR426F Pro Series
Years	98-99	00-02 / 00-02	00-02
Displ. (cc)	399	426	426

Piston Kit Part No.	Piston size (mm)	Over size (mm)	Ring Set Part No.	Piston Kit Part No.	Piston size (mm)	Over size (mm)	Ring Set Part No.	Piston Kit Part No.	Piston size (mm)	Over size (mm)	Ring Set Part No.
8639DA	91.95	Std.	920XSY	8525DA	94.96	Std.	950XDS	8640DA	94.96	Std.	950ADS-2
8639DB	91.96	+0.01	920XSY	8525DB	94.97	+0.01	950XDS	8640DB	94.97	+0.01	950ADS-2
8639DC	91.97	+0.02	920XSY	8525DC	94.98	+0.02	950XDS	8640DC	94.98	+0.02	950ADS-2
				8525D200	96.96	+2.00	970XDS	8640D200	96.96	+2.00	970ADS-2
				8525D300	97.96	+3.00	980ADS-2				

	set includes		
Clip Part No.	CW18	CW19	CW19
Pin Part No.	WP053	WP037	WP037
Rings	see above	see above	see above
Price-Code	7	7	7
Stroke	60.10	60.10	60.10
Wössner/ OEM Comp. ratio	13.5:1 12.5:1	12.5:1 12.5:1	12.5:1 12.5:1
Dome Volume (CC)	-4.6 cm ³	-7.0 cm ³	-5.8 cm ³
Comp. Height (mm)	24.10	24.10	24.10

	extra parts		
Wössner Connecting rods	-	-	-
Needle bearing	-	-	-
Main bearing	2 x MB83C072C	2 x MB83C072C	2 x MB83C072C

Yamaha® - 4 stroke



Alle Angaben zum Verdichtungsverhältnis, Domvolumen und Kolbengewicht beziehen sich nur auf unser Standardmaß DA.

All information on compression ratio, dome volume and piston weight is valid for our standard size DA only.

Model	YZ450F / WR450F	YZ450F / WR450F Pro Series	YZ450F / WR450F
Years	03-04	03-04	05
Displ. (cc)	449	449	449

Piston Kit Part No.	Piston size (mm)	Over size (mm)	Ring Set Part No.	Piston Kit Part No.	Piston size (mm)	Over size (mm)	Ring Set Part No.	Piston Kit Part No.	Piston size (mm)	Over size (mm)	Ring Set Part No.
8562DA	94.96	Std.	950ADS-2	8570DA	94.96	Std.	950ADS-2	8613DA	94.95	Std.	950ADS-2
8562DB	94.97	+0.01	950ADS-2	8570DB	94.97	+0.01	950ADS-2	8613DB	94.96	+0.01	950ADS-2
8562DC	94.98	+0.02	950ADS-2	8570DC	94.98	+0.02	950ADS-2	8613DC	94.97	+0.02	950ADS-2
8562D200	96.96	+2.00	970ADS-2								
8562D300	97.96	+3.00	980ADS-2								

set includes			
Clip Part No.	CW18	CW18	CW18
Pin Part No.	WP053	WP053	WP053
Rings	see above	see above	see above
Price-Code	7	7	7
Stroke	63.40	63.40	63.40
Wössner/ OEM Comp. ratio	12.5:1 12.5:1	12.5:1 12.5:1	12.3:1 12.3:1
Dome Volume (CC)	-9.9 cm ³	-7.8 cm ³	-10.3 cm ³
Comp. Height (mm)	23.50	23.50	23.50

extra parts			
Wössner Connecting rods	P4007	P4007	P4007
Needle bearing	-	-	-
Main bearing	2 x MB83C072C	2 x MB83C072C	2 x MB83C072C

Yamaha® - 4 stroke



Alle Angaben zum Verdichtungsverhältnis, Domvolumen und Kolbengewicht beziehen sich nur auf unser Standardmaß DA.

All information on compression ratio, dome volume and piston weight is valid for our standard size DA only.

Model	YZ450F / WR450F Pro Series	YZ450F / WR450F	YZ450F / WR450F Pro Series
Years	05	06-09	06-09
Displ. (cc)	449	449	449

Piston Kit Part No.	Piston size (mm)	Over size (mm)	Ring Set Part No.	Piston Kit Part No.	Piston size (mm)	Over size (mm)	Ring Set Part No.	Piston Kit Part No.	Piston size (mm)	Over size (mm)	Ring Set Part No.
8647DA	94.95	Std.	950ADS-2	8630DA	94.96	Std.	950ADS-2	8631DA	94.96	Std.	950ADS-2
8647DB	94.96	+0.01	950ADS-2	8630DB	94.97	+0.01	950ADS-2	8631DB	94.97	+0.01	950ADS-2
8647DC	94.97	+0.02	950ADS-2	8630DC	94.98	+0.02	950ADS-2	8631DC	94.98	+0.02	950ADS-2

	set includes		
Clip Part No.	CW18	CW18	CW18
Pin Part No.	WP053	WP053	WP053
Rings	see above	see above	see above
Price-Code	7	7	7
Stroke	63.40	63.40	63.40
Wössner/ OEM Comp. ratio	13.5:1 12.3:1	12.3:1 12.3:1	13.5:1 12.3:1
Dome Volume (CC)	-6.3 cm ³	-9.7 cm ³	-6.1 cm ³
Comp. Height (mm)	23.50	23.50	23.50

	extra parts		
Wössner Connecting rods	P4007	P4008	P4008
Needle bearing	-	-	-
Main bearing	2 x MB83C072C	2 x MB83C072C	2 x MB83C072C

Yamaha® - 4 stroke



Alle Angaben zum Verdichtungsverhältnis, Domvolumen und Kolbengewicht beziehen sich nur auf unser Standardmaß DA.

All information on compression ratio, dome volume and piston weight is valid for our standard size DA only.

New!

Model	YZ450F Fuel injection	YZ450F Pro Series Fuel injection	YZ450F
Years	10-13	10-13	14-current
Displ. (cc)	449	449	449

Piston Kit Part No.	Piston size (mm)	Over size (mm)	Ring Set Part No.	Piston Kit Part No.	Piston size (mm)	Over size (mm)	Ring Set Part No.	Piston Kit Part No.	Piston size (mm)	Over size (mm)	Ring Set Part No.
8776DA	96.96	Std.	970ADS-2	8783DA	96.96	Std.	970ADS-2	8895DA	96.96	Std.	970ADS-2
8776DB	96.97	+0.01	970ADS-2	8783DB	96.97	+0.01	970ADS-2	8895DB	96.97	+0.01	970ADS-2
8776DC	96.98	+0.02	970ADS-2	8783DC	96.98	+0.02	970ADS-2	8895DC	96.98	+0.02	970ADS-2

set includes			
Clip Part No.	CW18	CW18	CW18
Pin Part No.	WP072	WP072	WP072
Rings	see above	see above	see above
Price-Code	7	7	7
Stroke	60.80	60.80	60.80
Wössner/ OEM Comp. ratio	12.5:1 12.5:1	13.5:1 12.5:1	12.5:1 12.5:1
Dome Volume (CC)	-5.4 cm ³	-2.1 cm ³	-4.9 cm ³
Comp. Height (mm)	24.00	24.00	24.00

extra parts			
Wössner Connecting rods	P4032 `10-current	P4032 `10-current	P4032 `10-current
Needle bearing	-	-	-
Main bearing	2 x MB83C072C	2 x MB83C072C	-

Yamaha® - 4 stroke



Alle Angaben zum Verdichtungsverhältnis, Domvolumen und Kolbengewicht beziehen sich nur auf unser Standardmaß DA.

All information on compression ratio, dome volume and piston weight is valid for our standard size DA only.

Model	YZ450F Pro Series New!	XT500 / TT500 / SR500 European models	XT600 / XT600E / TT600 / TT600R
Years	14-current	76-89	84-04
Displ. (cc)	449	449	595

Piston Kit Part No.	Piston size (mm)	Over size (mm)	Ring Set Part No.	Piston Kit Part No.	Piston size (mm)	Over size (mm)	Ring Set Part No.	Piston Kit Part No.	Piston size (mm)	Over size (mm)	Ring Set Part No.
8896DA	96.96	Std.	970ADS-2	8505DA	86.93	Std.	870XSY	DA - D600 WP009			
8896DB	96.97	+0.01	970ADS-2	8505D050	87.43	+0.50	875XSY	8501DA	94.93	Std.	950XSY
8896DC	96.98	+0.02	970ADS-2	8505D100	87.93	+1.00	880XSY	8501DB	94.94	+0.01	950XSY
				8505D150	88.43	+1.50	885XSY	8501DC	94.95	+0.02	950XSY
				8505D200	88.93	+2.00	890XSY	8501D050	95.43	+0.50	955XSY
				8505D300	89.93	+3.00	900XSY	8501D100	95.93	+1.00	960XSY
								8501D150	96.43	+1.50	965XSY
								8501D200	96.93	+2.00	970XSY
								8501D250	97.43	+2.50	975XSY
								8501D300	97.93	+3.00	980XSY
								D500 - D700 WP017			
								8501D500	99.93	+5.00	1000XSY
								8501D600	100.93	+6.00	1010XSY
								8501D700	101.93	+7.00	1020XSU

	set includes		
Clip Part No.	CW18	CW20	CW22
Pin Part No.	WP072	WP052	WP009 / WP017
Rings	see above	see above	see above
Price-Code	7	7/1	7
Stroke	60.80	84.00	84.00
Wössner/ OEM Comp. ratio	13.5:1 12.5:1	9.8:1 9.0:1	10.7:1 8.5:1
Dome Volume (CC)	-2.1 cm ³	+13.7 cm ³	-0.5 cm ³
Comp. Height (mm)	24.00	29.00	28.00

	extra parts		
Wössner Connecting rods	P4032 `10-current	-	-
Needle bearing	-	-	-
Main bearing	-	-	-

Yamaha® - 4 stroke



Alle Angaben zum Verdichtungsverhältnis, Domvolumen und Kolbengewicht beziehen sich nur auf unser Standardmaß DA.

All information on compression ratio, dome volume and piston weight is valid for our standard size DA only.

Model	XTZ660 Tenere	XT660R	YFM250 Timberwolf / YFB250 Bear Tracker / Bruin / Big Bear
Years	91-98	04-current	90-00 / 00-04 / 05-06 / 07-09
Displ. (cc)	660	660	229

Piston Kit Part No.	Piston size (mm)	Over size (mm)	Ring Set Part No.	Piston Kit Part No.	Piston size (mm)	Over size (mm)	Ring Set Part No.	Piston Kit Part No.	Piston size (mm)	Over size (mm)	Ring Set Part No.
8507DA	99.93	Std.	1000XS	8617DA	99.95	Std.	1000XS	8659DA	70.94	Std.	710XDS
8507DB	99.94	+0.01	1000XS	8617DB	99.96	+0.01	1000XS	8659D050	71.44	+0.50	715XDS
8507DC	99.95	+0.02	1000XS	8617DC	99.97	+0.02	1000XS	8659D100	71.94	+1.00	720XDS
8507D050	100.43	+0.50	1005XS					8659D150	72.44	+1.50	725XDS
8507D100	100.93	+1.00	1010XS					8659D200	72.94	+2.00	730XDS
8507D150	101.43	+1.50	1015XS								
8507D200	101.93	+2.00	1020XS								

	set includes		
Clip Part No.	CW22	CW23	CW16
Pin Part No.	WP017	WP024	WP041
Rings	see above	see above	see above
Price-Code	7/1	7/1	5/1
Stroke	84.00	84.00	58.00
Wössner/ OEM Comp. ratio	9.2:1 9.2:1	10.7:1 10.0:1	9.5:1 9.5:1
Dome Volume (CC)	-0.3 cm ³	-0.3 cm ³	-4.7 cm ³
Comp. Height (mm)	27.00	27.50	23.80

	extra parts		
Wössner Connecting rods	-	-	-
Needle bearing	-	-	-
Main bearing	-	-	-

GasGas® - 2 stroke



Model	EC300
Years	00-current
Displ. (cc)	297

Piston Kit Part No.	Piston size (mm)	Over size (mm)	Ring Set Part No.
8077DA	71.93	Std.	RDB7200
8077DB	71.94	+0.01	RDB7200
8077DC	71.95	+0.02	RDB7200

set includes	
Clip Part No.	CW18
Pin Part No.	WP033
Rings	see above
Price-Code	6
Stroke	72.00
Comp. Height (mm)	38.00

extra parts	
Wössner Connecting rods	P2021
Needle bearing	N1021
Main bearing	-



GasGas® - 4 stroke



Alle Angaben zum Verdichtungsverhältnis, Domvolumen und Kolbengewicht beziehen sich nur auf unser Standardmaß DA.

All information on compression ratio, dome volume and piston weight is valid for our standard size DA only.

Model	HP450 / EC450 / FSE450	HP450 / EC450 / FES450	HP450 / EC450 / FES450
Years	14-current	05	06-12
Displ. (cc)	443	443	449

Piston Kit Part No.	Piston size (mm)	Over size (mm)	Ring Set Part No.	Piston Kit Part No.	Piston size (mm)	Over size (mm)	Ring Set Part No.	Piston Kit Part No.	Piston size (mm)	Over size (mm)	Ring Set Part No.
8585DA	94.95	Std.	950XSY	8615DA	94.95	Std.	950ADS-2	8638DA	96.95	Std.	970ADS-2
8585DB	94.96	+0.01	950XSY	8615DB	94.96	+0.01	950ADS-2	8638DB	96.96	+0.01	970ADS-2
8585DC	94.97	+0.02	950XSY	8615DC	94.97	+0.02	950ADS-2	8638DC	96.97	+0.02	970ADS-2

set includes			
Clip Part No.	CW20	CW20	CW20
Pin Part No.	WP038	WP038	WP038
Rings	see above	see above	see above
Price-Code	7/1	7/1	7
Stroke	62.60	62.60	63.40
Wössner/ OEM Comp. ratio	OEM -	OEM -	OEM -
Dome Volume (CC)	-6.4 cm ³	-6.4 cm ³	-2.8 cm ³
Comp. Height (mm)	25.50	25.50	25.50

extra parts			
Wössner Connecting rods	-	-	-
Needle bearing	-	-	-
Main bearing	-	-	-

Honda® - 2 stroke



Model	ATC250R	ATC250R / TRX250R	ATC250R / TRX250R
Years	81-84	85-86	87-90
Displ. (cc)	248	246	246

Piston Kit Part No.	Piston size (mm)	Over size (mm)	Ring Set Part No.	Piston Kit Part No.	Piston size (mm)	Over size (mm)	Ring Set Part No.	Piston Kit Part No.	Piston size (mm)	Over size (mm)	Ring Set Part No.
8154DA	69.94	Std.	RDB7000	8156DA	65.94	Std.	RDB6600	8189DA	65.94	Std.	RDB6600
8154D050	70.44	+0.50	RDB7050	8156D025	66.19	+0.25	RDB6625	8189D050	66.44	+0.50	RDB6650
8154D100	70.94	+1.00	RDB7100	8156D050	66.44	+0.50	RDB6650	8189D100	66.94	+1.00	RDB6700
8154D150	71.44	+1.50	RDB7150	8156D075	66.69	+0.75	RDB6675	8189D150	67.44	+1.50	RDB6750
8154D200	71.94	+2.00	RDB7200	8156D100	66.94	+1.00	RDB6700	8189D200	67.94	+2.00	RDB6800
				8156D125	67.19	+1.25	RDB6725				
				8156D150	67.44	+1.50	RDB6750				
				8156D200	67.94	+2.00	RDB6800				
				8156D250	68.44	+2.50	RDB6850				
				8156D300	68.94	+3.00	RDB6900				
				8156D350	69.44	+3.50	RDB6950				

	set includes		
Clip Part No.	CW18	CW18	CW18
Pin Part No.	WP033	WP033	WP033
Rings	see above	see above	see above
Price-Code	3/1	3/1	3/1
Stroke	64.40	72.00	72.00
Comp. Height (mm)	32.50	38.00	33.00

	extra parts		
Wössner Connecting rods	-	P2021	P2042 '87-89
Needle bearing	N1021	N1021	N1021
Main bearing	-	-	2 x MB6328C3

Honda® - 4 stroke



Alle Angaben zum Verdichtungsverhältnis, Domvolumen und Kolbengewicht beziehen sich nur auf unser Standardmaß DA.

All information on compression ratio, dome volume and piston weight is valid for our standard size DA only.

Model	TRX250 / TE / TM / X Recon	TRX300X / TRX300EX 4 Valve	ATC350X / TRX350
Years	02-12	09-12 / 93-08	85-89
Displ. (cc)	229	282	350

Piston Kit Part No.	Piston size (mm)	Over size (mm)	Ring Set Part No.	Piston Kit Part No.	Piston size (mm)	Over size (mm)	Ring Set Part No.	Piston Kit Part No.	Piston size (mm)	Over size (mm)	Ring Set Part No.
8870DA	68.45	Std.	685XKS	8675DA	73.94	Std.	740XDS	8598DA	80.94	Std.	810XSY
8870D050	68.95	+0.50	690XKS	8675D050	74.44	+0.50	745XDS	8598D050	81.44	+0.50	815XSY
8870D100	69.45	+1.00	695XKS	8675D100	74.94	+1.00	750XDS	8598D100	81.94	+1.00	820XSY
				8675D150	75.44	+1.50	755XDS				
				8675D200	75.94	+2.00	760XDS				

	set includes		
Clip Part No.	CW15	CW17	CW21
Pin Part No.	WP102	WP090	WP034
Rings	see above	see above	see above
Price-Code	5	7/1	7/1
Stroke	62.20	65.50	68.00
Wössner/ OEM Comp. ratio	10.0:1 10.0:1	12.0:1 12.0:1	10.3:1 10.3:1
Dome Volume (CC)	+4.1 cm ³	+6.3 cm ³	+0.6 cm ³
Comp. Height (mm)	21.70	23.30	26.70

	extra parts		
Wössner Connecting rods	-	-	-
Needle bearing	-	-	-
Main bearing	-	-	-

Honda® - 4 stroke



Alle Angaben zum Verdichtungsverhältnis, Domvolumen und Kolbengewicht beziehen sich nur auf unser Standardmaß DA.

All information on compression ratio, dome volume and piston weight is valid for our standard size DA only.

Model	TRX350 / ES-E Rancher 4x4 / 4x2	TRX400EX / TRX400X	TRX400EX / TRX400X
Years	00-06	99-08 / 09-12	99-08 / 09-12
Displ. (cc)	329	397	397

Piston Kit Part No.	Piston size (mm)	Over size (mm)	Ring Set Part No.	Piston Kit Part No.	Piston size (mm)	Over size (mm)	Ring Set Part No.	Piston Kit Part No.	Piston size (mm)	Over size (mm)	Ring Set Part No.
8871DA	78.45	Std.	785XDS	8702DA	84.94	Std.	850XSY	8604DA	84.94	Std.	850XSY
8871D050	78.95	+0.50	790XDS	8702D050	85.44	+0.50	855XSY	8604D050	85.44	+0.50	855XSY
8871D075	79.20	+0.75	792XDS	8702D100	85.94	+1.00	860XSY	8604D100	85.94	+1.00	860XSY
8871D100	79.45	+1.00	795XDS	8702D150	86.44	+1.50	865XSY	8604D150	86.44	+1.50	865XSY
				8702D200	86.94	+2.00	870XSY	8604D200	86.94	+2.00	870XSY
				8702D300	87.94	+3.00	880XSY	8604D300	87.94	+3.00	880XSY
				8702D400	88.94	+4.00	890XSY	8604D400	88.94	+4.00	890XSY

	set includes		
Clip Part No.	CW17	CW20	CW20
Pin Part No.	WP090	WP052	WP052
Rings	see above	see above	see above
Price-Code	7/1	7/1	7/1
Stroke	68.00	70.00	70.00
Wössner/ OEM Comp. ratio	8.8:1 8.8:1	12.5:1 10.0:1	11.0:1 10.0:1
Dome Volume (CC)	+1.5 cm ³	+8.4 cm ³	+3.2 cm ³
Comp. Height (mm)	24.30	26.20	26.20

	extra parts		
Wössner Connecting rods	-	P4021	P4021
Needle bearing	-	-	-
Main bearing	-	-	-

Honda® - 4 stroke



Alle Angaben zum Verdichtungsverhältnis, Domvolumen und Kolbengewicht beziehen sich nur auf unser Standardmaß DA.

All information on compression ratio, dome volume and piston weight is valid for our standard size DA only.

Model	TRX400 4x4	TRX420FE	TRX450R
Years	95-03	07-11	04-05
Displ. (cc)	394	420	450

Piston Kit Part No.	Piston size (mm)	Over size (mm)	Ring Set Part No.	Piston Kit Part No.	Piston size (mm)	Over size (mm)	Ring Set Part No.	Piston Kit Part No.	Piston size (mm)	Over size (mm)	Ring Set Part No.
8599D050	86.43	+0.50	865XSY	8869DA	86.45	Std.	865XSY	8609DA	93.95	Std.	940XSY
8599D100	86.93	+1.00	870XSY	8869D050	86.95	+0.50	870XSY	8609DB	93.96	+0.01	940XSY
				8869D100	87.45	+1.00	875XSY	8609DC	93.97	+0.02	940XSY
				8869D150	87.95	+1.50	880XSY				
				8869D200	88.45	+2.00	885XSY				

	set includes		
Clip Part No.	CW19	CW19	CW21
Pin Part No.	WP050	WP026	WP051
Rings	see above	see above	see above
Price-Code	7/1	7	7/1
Stroke	68.00	71.50	64.80
Wössner/ OEM Comp. ratio	OEM -	9.9:1 9.8:1	10.5:1 10.5:1
Dome Volume (CC)	+0.0 cm ³	-0.2 cm ³	-0.7 cm ³
Comp. Height (mm)	25.00	24.00	26.00

	extra parts		
Wössner Connecting rods	-	P4022	P4022
Needle bearing	-	-	-
Main bearing	-	-	-

Honda® - 4 stroke



Alle Angaben zum Verdichtungsverhältnis, Domvolumen und Kolbengewicht beziehen sich nur auf unser Standardmaß DA.

All information on compression ratio, dome volume and piston weight is valid for our standard size DA only.

Model	TRX450R	TRX450R Pro Series 2. Ring	TRX450R Big Bore
Years	04-05	04-05	04-05
Displ. (cc)	450	450	469

Piston Kit Part No.	Piston size (mm)	Over size (mm)	Ring Set Part No.	Piston Kit Part No.	Piston size (mm)	Over size (mm)	Ring Set Part No.	Piston Kit Part No.	Piston size (mm)	Over size (mm)	Ring Set Part No.
8719DA	93.95	Std.	940XS	8720DA	93.95	Std.	940XS	8610DA	96.94	Std.	970XS
8719DB	93.96	+0.01	940XS	8720DB	93.96	+0.01	940XS				
8719DC	93.97	+0.02	940XS	8720DC	93.97	+0.02	940XS				

	set includes		
Clip Part No.	CW21	CW21	CW21
Pin Part No.	WP051	WP051	WP051
Rings	see above	see above	see above
Price-Code	7/1	7/1	7/1
Stroke	64.80	64.80	64.80
Wössner/ OEM Comp. ratio	11.5:1 10.5:1	13.1:1 10.5:1	10.5:1 10.5:1
Dome Volume (CC)	+3.6 cm ³	+9.2 cm ³	-3.3 cm ³
Comp. Height (mm)	26.00	26.00	26.00

	extra parts		
Wössner Connecting rods	P4022	P4022	P4022
Needle bearing	-	-	-
Main bearing	-	-	-

Honda® - 4 stroke



Alle Angaben zum Verdichtungsverhältnis, Domvolumen und Kolbengewicht beziehen sich nur auf unser Standardmaß DA.

All information on compression ratio, dome volume and piston weight is valid for our standard size DA only.

Model	TRX450R	TRX500 Rubicon FA / TRX500 Forman FE,FM,FPM / TRX500 Rubicon FGA / TRX500 Rubicon FPA
Years	06-09	01-13 / 05-11 / 04-08 / 09-13
Displ. (cc)	450	500

Piston Kit Part No.	Piston size (mm)	Over size (mm)	Ring Set Part No.	Piston Kit Part No.	Piston size (mm)	Over size (mm)	Ring Set Part No.
8660DA	95.95	Std.	960XS	8902DA	91.96	Std.	920XS
8660DB	95.96	+0.01	960XS	8902D050	92.46	+0.50	925XS
8660DC	95.97	+0.02	960XS	8902D100	92.96	+1.00	930XS
8660D200	97.95	+2.00	980XS	8902D150	93.46	+1.50	935XS

set includes	
Clip Part No.	CW19 CW20
Pin Part No.	WP037 WP086
Rings	see above see above
Price-Code	7/1 7
Stroke	62.00 75.00
Wössner/ OEM Comp. ratio	12.0:1 8.5:1 12.0:1 8.5:1
Dome Volume (CC)	-0.2 cm ³ +0.0 cm ³
Comp. Height (mm)	23.80 27.30

extra parts	
Wössner Connecting rods	P4023 `06-current -
Needle bearing	- -
Main bearing	- -

Husaberg® - 4 stroke



Alle Angaben zum Verdichtungsverhältnis, Domvolumen und Kolbengewicht beziehen sich nur auf unser Standardmaß DA.

All information on compression ratio, dome volume and piston weight is valid for our standard size DA only.

Model	EF400 / EFE400	EF501/ EFE501	EF600 / EFE600
Years	99-00 / 99-00	99-00 / 99-00	99-00 / 99-00
Displ. (cc)	397	500	600

Piston Kit Part No.	Piston size (mm)	Over size (mm)	Ring Set Part No.	Piston Kit Part No.	Piston size (mm)	Over size (mm)	Ring Set Part No.	Piston Kit Part No.	Piston size (mm)	Over size (mm)	Ring Set Part No.
8519DA	91.95	Std.	920XS	8537DA	94.95	Std.	950XS	8537DA	94.95	Std.	950XS
8519DB	91.96	+0.01	920XS	8537DB	94.96	+0.01	950XS	8537DB	94.96	+0.01	950XS
8519DC	91.97	+0.02	920XS	8537DC	94.97	+0.02	950XS	8537DC	94.97	+0.02	950XS

	set includes		
Clip Part No.	CW18	CW20	CW20
Pin Part No.	WP031	WP073	WP073
Rings	see above	see above	see above
Price-Code	7/1	7/1	7/1
Stroke	60.10	70.10	70.10
Wössner/ OEM Comp. ratio	OEM -	11.8:1 11.8:1	11.8:1 11.8:1
Dome Volume (CC)	-3.3 cm ³	-2.1 cm ³	-2.1 cm ³
Comp. Height (mm)	22.60	23.00	23.00

	extra parts		
Wössner Connecting rods	-	-	-
Needle bearing	-	-	-
Main bearing	-	-	-

Kawasaki® - 2 stroke



Model	KFX80
Years	03-06
Displ. (cc)	82

Piston Kit Part No.	Piston size (mm)	Over size (mm)	Ring Set Part No.
8282DA	49.94	Std.	RSB5000
8282D050	50.44	+0.50	RSB5050
8282D100	50.94	+1.00	RSB5100
8282D150	51.44	+1.50	RSB5150
8282D200	51.94	+2.00	RSB5200

set includes	
Clip Part No.	CW12
Pin Part No.	WP091
Rings	see above
Price-Code	1
Stroke	42.00
Comp. Height (mm)	27.00

extra parts	
Wössner Connecting rods	-
Needle bearing	N1036
Main bearing	2 x MB6204C3

Ryan Koontz, # 440 an Suzuki RMZ 250/450
AMA National SX/MX Series 2006/07



Kawasaki® - 4 stroke



Alle Angaben zum Verdichtungsverhältnis, Domvolumen und Kolbengewicht beziehen sich nur auf unser Standardmaß DA.

All information on compression ratio, dome volume and piston weight is valid for our standard size DA only.

Model	KSF250 Mojave	KLF300 Bayou	KFX400
Years	05	86-05	03-06
Displ. (cc)	249	290	398

Piston Kit Part No.	Piston size (mm)	Over size (mm)	Ring Set Part No.	Piston Kit Part No.	Piston size (mm)	Over size (mm)	Ring Set Part No.	Piston Kit Part No.	Piston size (mm)	Over size (mm)	Ring Set Part No.
8596DA	73.94	Std.	740XDS	8597DA	75.94	Std.	760XDS	DA - DC WP029			
8596D050	74.44	+0.50	745XDS	8597D050	76.44	+0.50	765XDS	8565DA	89.94	Std.	900XSY
8596D100	74.94	+1.00	750XDS	8597D100	76.94	+1.00	770XDS	8565DB	89.95	+0.01	900XSY
								8565DC	89.96	+0.02	900XSY
								D400 WP038			
								8565D400	93.94	+4.00	940XSY

set includes			
Clip Part No.	CW18	CW18	CW20
Pin Part No.	WP031	WP031	WP029 / WP038
Rings	see above	see above	see above
Price-Code	5/1	5/1	7/1
Stroke	58.00	64.00	62.60
Wössner/ OEM Comp. ratio	11.0:1 11.0:1	8.6:1 8.6:1	11.3:1 11.3:1
Dome Volume (CC)	-0.4 cm ³	-0.4 cm ³	-2.0 cm ³
Comp. Height (mm)	26.50	26.50	25.30

extra parts			
Wössner Connecting rods	-	-	P4009
Needle bearing	-	-	-
Main bearing	-	-	-

Kawasaki® - 4 stroke



Alle Angaben zum Verdichtungsverhältnis, Domvolumen und Kolbengewicht beziehen sich nur auf unser Standardmaß DA.

All information on compression ratio, dome volume and piston weight is valid for our standard size DA only.

Model	KFX400 Pro Series 2. Ring	KFX450R	KFX450R Pro Series 2. Ring
Years	03-06	08-current	08-current
Displ. (cc)	398	449	449

Piston Kit Part No.	Piston size (mm)	Over size (mm)	Ring Set Part No.	Piston Kit Part No.	Piston size (mm)	Over size (mm)	Ring Set Part No.	Piston Kit Part No.	Piston size (mm)	Over size (mm)	Ring Set Part No.
8567DA	89.94	Std.	900XSY	8773DA	95.96	Std.	960ADS-2	8709DA	95.96	Std.	960ADS-2
8567DB	89.95	+0.01	900XSY	8773DB	95.97	+0.01	960ADS-2	8709DB	95.97	+0.01	960ADS-2
8567DC	89.96	+0.02	900XSY					8709DC	95.98	+0.02	960ADS-2
8567D550	95.44	+5.50	955XSY								

	set includes		
Clip Part No.	CW20	CW21	CW21
Pin Part No.	WP029	WP013	WP013
Rings	see above	see above	see above
Price-Code	7	7	7
Stroke	62.60	62.10	62.10
Wössner/ OEM Comp. ratio	13.5:1 11.3:1	12.5:1 12.5:1	14.0:1 12.5:1
Dome Volume (CC)	+0.5 cm ³	-2.1 cm ³	+2.1 cm ³
Comp. Height (mm)	25.30	26.10	26.40

	extra parts		
Wössner Connecting rods	P4009	P4019 `08-current	P4019 `08-current
Needle bearing	-	-	-
Main bearing	-	-	-

Kawasaki® - 4 stroke



Alle Angaben zum Verdichtungsverhältnis, Domvolumen und Kolbengewicht beziehen sich nur auf unser Standardmaß DA.

All information on compression ratio, dome volume and piston weight is valid for our standard size DA only.

Model	Brute Force 650 / Prairie 650 Twin Cylinder	KFX700 / Prairie 700 Pro Series
Years	05-10 / 02-03	04-10 / 04-06
Displ. (cc)	633	697

Piston Kit Part No.	Piston size (mm)	Over size (mm)	Ring Set Part No.	Piston Kit Part No.	Piston size (mm)	Over size (mm)	Ring Set Part No.
K8863DA-2	79.94	Std.	800XDS	8679DA	81.93	Std.	820XSY
K8863D050-2	80.44	+0.50	805XDS	8679D050	82.43	+0.50	825XSY
K8863D100-2	80.94	+1.00	810XSY	8679D100	82.93	+1.00	830XSY
K8863D150-2	81.44	+1.50	815XSY	8679D200	83.93	+2.00	840XSY
K8863D200-2	81.94	+2.00	820XSY	8679D300	84.93	+3.00	850XSY

	set includes	
Clip Part No.	CW20	CW20
Pin Part No.	WP052	WP038
Rings	see above	see above
Price-Code	9	7
Stroke	63.00	66.00
Wössner/ OEM Comp. ratio	11.0:1 9.9:1	11.3:1 9.9:1
Dome Volume (CC)	-0.4 cm ³	+3.2 cm ³
Comp. Height (mm)	26.00	26.30

	extra parts	
Wössner Connecting rods	-	-
Needle bearing	-	-
Main bearing	-	-

Polaris® - 2 stroke



Model	Trail Boss / Scrambler / Trail Blazer250	ATV300	Trail Boss350
Years	85-05	94-00	all
Displ. (cc)	244	283	350

Piston Kit Part No.	Piston size (mm)	Over size (mm)	Ring Set Part No.	Piston Kit Part No.	Piston size (mm)	Over size (mm)	Ring Set Part No.	Piston Kit Part No.	Piston size (mm)	Over size (mm)	Ring Set Part No.
8094DA	71.93	Std.	RDB7200	8095DA	74.43	Std.	RDB7450	8096DA	79.93	Std.	RDC8000
8094DB	71.94	+0.01	RDB7200	8095DB	74.44	+0.01	RDB7450	8096DB	79.94	+0.01	RDC8000
8094D050	72.43	+0.50	RDB7250	8095D050	74.93	+0.50	RDC7500	8096D050	80.43	+0.50	RDC8050
8094D100	72.93	+1.00	RDB7300	8095D100	75.43	+1.00	RDC7550	8096D100	80.93	+1.00	RDC8100
8094D150	73.43	+1.50	RDB7350	8095D150	75.93	+1.50	RDC7600	8096D150	81.43	+1.50	RDC8150
8094D200	73.93	+2.00	RDB7400	8095D200	76.43	+2.00	RDC7650	8096D200	81.93	+2.00	RDC8200

set includes			
Clip Part No.	CW18	CW18	CW18
Pin Part No.	WP033	WP033	WP039
Rings	see above	see above	see above
Price-Code	3/1	6	6
Stroke	60.00	65.00	70.00
Comp. Height (mm)	38.00	33.00	38.00

extra parts			
Wössner Connecting rods	-	-	-
Needle bearing	N1022	N1022	N1024
Main bearing	-	-	-

Polaris® - 2 stroke



Model	ATV400
Years	03
Displ. (cc)	378

Piston Kit Part No.	Piston size (mm)	Over size (mm)	Ring Set Part No.
8097DA	82.93	Std.	RDC8300
8097D050	83.43	+0.50	RDC8350
8097D100	83.93	+1.00	RDC8400
8097D150	84.43	+1.50	RDC8450
8097D200	84.93	+2.00	RDC8500

set includes	
Clip Part No.	CW18
Pin Part No.	WP039
Rings	see above
Price-Code	6
Stroke	70.00
Comp. Height (mm)	38.00

extra parts	
Wössner Connecting rods	-
Needle bearing	N1024
Main bearing	-



Polaris® - 4 stroke



Alle Angaben zum Verdichtungsverhältnis, Domvolumen und Kolbengewicht beziehen sich nur auf unser Standardmaß DA.

All information on compression ratio, dome volume and piston weight is valid for our standard size DA only.

Model	Outlaw 450 MXR	500 Xplorer / ATP 500 H.O / Sportsman	Predator Pro Series
Years	08-11	96-05	03-07
Displ. (cc)	449	498	499

Piston Kit Part No.	Piston size (mm)	Over size (mm)	Ring Set Part No.	Piston Kit Part No.	Piston size (mm)	Over size (mm)	Ring Set Part No.	Piston Kit Part No.	Piston size (mm)	Over size (mm)	Ring Set Part No.
8581DA	88.96	Std.	890XSY	8691DA	91.95	Std.	920XSY	8692DA	99.14	Std.	992XSY
8581DB	88.97	+0.01	890XSY	8691D050	92.45	+0.50	925XSY				
8581DC	88.98	+0.02	890XSY	8691D100	92.95	+1.00	930XSY				

set includes			
Clip Part No.	CW20	CW23	CW23
Pin Part No.	WP038	WP024	WP008
Rings	see above	see above	see above
Price-Code	7	7	7
Stroke	72.00	75.00	64.60
Wössner/ OEM Comp. ratio	11.0:1 11.0:1	10.2:1 10.2:1	12.5:1 10.8:1
Dome Volume (CC)	+7.1 cm ³	-9.2 cm ³	+5.2 cm ³
Comp. Height (mm)	23.50	33.30	28.80

extra parts			
Wössner Connecting rods	P4015	-	-
Needle bearing	-	-	-
Main bearing	-	-	-

Polaris® - 4 stroke



Alle Angaben zum Verdichtungsverhältnis, Domvolumen und Kolbengewicht beziehen sich nur auf unser Standardmaß DA.

All information on compression ratio, dome volume and piston weight is valid for our standard size DA only.

Model	Outlaw 500-HC
Years	06-09
Displ. (cc)	499

Piston Kit Part No.	Piston size (mm)	Over size (mm)	Ring Set Part No.
8692DA	99.14	Std.	992XSY

set includes	
Clip Part No.	CW23
Pin Part No.	WP008
Rings	see above
Price-Code	7
Stroke	64.60
Wössner/ OEM Comp. ratio	12.5:1 11.0:1
Dome Volume (CC)	+5.2 cm ³
Comp. Height (mm)	28.80

extra parts	
Wössner Connecting rods	-
Needle bearing	-
Main bearing	-



Suzuki® - 2 stroke



Model	LT80	LT250RF / LT250RG Must use stock thrust washers	LT250 Must use stock thrust washers
Years	all	85-86	87
Displ. (cc)	82	249	246

Piston Kit Part No.	Piston size (mm)	Over size (mm)	Ring Set Part No.	Piston Kit Part No.	Piston size (mm)	Over size (mm)	Ring Set Part No.	Piston Kit Part No.	Piston size (mm)	Over size (mm)	Ring Set Part No.
8282DA	49.94	Std.	RSB5000	8257DA	69.94	Std.	RDB7000	8258DA	66.94	Std.	RDB6700
8282D050	50.44	+0.50	RSB5050	8257D050	70.44	+0.50	RDB7050	8258D050	67.44	+0.50	RDB6750
8282D100	50.94	+1.00	RSB5100	8257D100	70.94	+1.00	RDB7100	8258D100	67.94	+1.00	RDB6800
8282D150	51.44	+1.50	RSB5150	8257D150	71.44	+1.50	RDB7150	8258D150	68.44	+1.50	RDB6850
8282D200	51.94	+2.00	RSB5200	8257D200	71.94	+2.00	RDB7200	8258D200	68.94	+2.00	RDB6900

	set includes		
Clip Part No.	CW12	CW18	CW18
Pin Part No.	WP091	WP033	WP033
Rings	see above	see above	see above
Price-Code	1	3/1	3
Stroke	42.00	64.80	70.00
Comp. Height (mm)	27.00	33.00	37.20

	extra parts		
Wössner Connecting rods	-	-	-
Needle bearing	N1036	N1024	N1024
Main bearing	-	-	-

Suzuki® - 2 stroke



Model	LT250 Must use stock thrust washers	LT500R
Years	88-92	87-90
Displ. (cc)	246	498

Piston Kit Part No.	Piston size (mm)	Over size (mm)	Ring Set Part No.	Piston Kit Part No.	Piston size (mm)	Over size (mm)	Ring Set Part No.
8259DA	66.94	Std.	RDB6700	8260DA	85.91	Std.	RDC8600
8259D050	67.44	+0.50	RDB6750	8260D050	86.41	+0.50	RDC8650
8259D100	67.94	+1.00	RDB6800	8260D100	86.91	+1.00	RDC8700
8259D150	68.44	+1.50	RDB6850	8260D150	87.41	+1.50	RDC8750
8259D200	68.94	+2.00	RDB6900	8260D200	87.91	+2.00	RDC8800
				8260D250	88.41	+2.50	RDC8850
				8260D300	88.91	+3.00	RDC8900
				8260D350	89.41	+3.50	RDC8950

set includes		
Clip Part No.	CW18	CW18
Pin Part No.	WP033	WP042
Rings	see above	see above
Price-Code	3	6
Stroke	70.00	86.00
Comp. Height (mm)	37.20	45.00

extra parts		
Wössner Connecting rods	-	-
Needle bearing	N1024	N1024
Main bearing	1 x MB6232C3 Left 1 x MB6206C3 Right	-

Suzuki® - 4 stroke



Alle Angaben zum Verdichtungsverhältnis, Domvolumen und Kolbengewicht beziehen sich nur auf unser Standardmaß DA.

All information on compression ratio, dome volume and piston weight is valid for our standard size DA only.

Model	LT-Z400	LT-Z400 Pro Series 2. Ring	LTR450
Years	02-12	02-12	02-11
Displ. (cc)	398	398	450

Piston Kit Part No.	Piston size (mm)	Over size (mm)	Ring Set Part No.	Piston Kit Part No.	Piston size (mm)	Over size (mm)	Ring Set Part No.	Piston Kit Part No.	Piston size (mm)	Over size (mm)	Ring Set Part No.
DA - DC WP029				8567DA	89.94	Std.	900XSY	8667DA	95.45	Std.	955XSY
8563DA	89.94	Std.	900XSY	8567DB	89.95	+0.01	900XSY	8667DB	95.46	+0.01	955XSY
8563DB	89.95	+0.01	900XSY	8567DC	89.96	+0.02	900XSY	8667DC	95.47	+0.02	955XSY
8563DC	89.96	+0.02	900XSY	8567D550	95.44	+5.50	955XSY	8667D250	97.95	+2.50	980XSY
D400 - D550 WP038								8667D450	99.95	+4.50	1000XSY
8563D400	93.94	+4.00	940XSY								
8563D550	95.44	+5.50	955XSY								

	set includes		
Clip Part No.	CW20	CW20	CW19
Pin Part No.	WP029 / WP038	WP029	WP037
Rings	see above	see above	see above
Price-Code	7	7	7
Stroke	62.60	62.60	62.80
Wössner/ OEM Comp. ratio	12.2:1 12.2:1	12.2:1 12.2:1	11.7:1 11.7:1
Dome Volume (CC)	-2.0 cm ³	+0.5 cm ³	-3.0 cm ³
Comp. Height (mm)	25.30	25.30	24.50

	extra parts		
Wössner Connecting rods	P4009	P4009	P4011 `06-09
Needle bearing	-	-	-
Main bearing	-	-	-

Suzuki® - 4 stroke



Alle Angaben zum Verdichtungsverhältnis, Domvolumen und Kolbengewicht beziehen sich nur auf unser Standardmaß DA.

All information on compression ratio, dome volume and piston weight is valid for our standard size DA only.

Model	LTR450 Pro Series
Years	02-11
Displ. (cc)	450

Piston Kit Part No.	Piston size (mm)	Over size (mm)	Ring Set Part No.
8699DA	95.45	Std.	955XSY
8699DB	95.46	+0.01	955XSY
8699DC	95.47	+0.02	955XSY
8699D450	99.95	+4.50	1000XSY

	set includes
Clip Part No.	CW19
Pin Part No.	WP037
Rings	see above
Price-Code	7
Stroke	62.80
Wössner/ OEM Comp. ratio	13.3:1 11.7:1
Dome Volume (CC)	+2.3 cm ³
Comp. Height (mm)	24.50

	extra parts
Wössner Connecting rods	P4011 `06-09
Needle bearing	-
Main bearing	-



Yamaha® - 2 stroke



Model	YFS200 Blaster	YFS200 Blaster	YFZ350 Banshee
Years	88-06	88-06	06
Displ. (cc)	199	199	347

Piston Kit Part No.	Piston size (mm)	Over size (mm)	Ring Set Part No.	Piston Kit Part No.	Piston size (mm)	Over size (mm)	Ring Set Part No.	Piston Kit Part No.	Piston size (mm)	Over size (mm)	Ring Set Part No.
8101DA	65.94	Std.	RDB6600	8101D250	68.44	+2.50	RDB6850	8075DA	63.94	Std.	RDB6400
8101D025	66.19	+0.25	RDB6625	8101D300	68.94	+3.00	RDB6900	8075DB	63.95	+0.01	RDB6400
8101D050	66.44	+0.50	RDB6650	8101D400	69.94	+4,00	RDB7000	8075D025	64.19	+0.25	RDB6425
8101D075	66.69	+0.75	RDB6675	8101D600	71.94	+6.00	RDB7200	8075D050	64.44	+0.50	RDB6450
8101D100	66.94	+1.00	RDB6700					8075D075	64.69	+0.75	RDB6475
8101D150	67.44	+1.50	RDB6750					8075D100	64.94	+1.00	RDB6500
8101D200	67.94	+2.00	RDB6800					8075D125	65.19	+1.25	RDB6525
								8075D150	65.44	+1.50	RDB6550

set includes			
Clip Part No.	CW16	CW16	CW16
Pin Part No.	WP027	WP027	WP027
Rings	see above	see above	see above
Price-Code	8	8	8
Stroke	57.00	57.00	54.00
Comp. Height (mm)	29.90	29.90	36.00

extra parts			
Wössner Connecting rods	P2030	P2030	P2035 `87-06
Needle bearing	N1017	N1017	N1017
Main bearing	MB83A915 `Left MB6308RI `Right	MB83A915 `Left MB6308RI `Right	3x MB83464A (Left 1x & Inner 2x) MB83406 `Right

Yamaha® - 2 stroke



Model	YFZ350 Banshee	TriZ250
Years	06	85-89
Displ. (cc)	347	246

Piston Kit Part No.	Piston size (mm)	Over size (mm)	Ring Set Part No.	Piston Kit Part No.	Piston size (mm)	Over size (mm)	Ring Set Part No.
8075D200	65.94	+2.00	RDB6600	8175DA	67.94	Std.	RDB6800
8075D250	66.44	+2.50	RDB6650	8175D050	68.44	+0.50	RDB6850
8075D275	66.69	+2.75	RDB6675	8175D100	68.94	+1.00	RDB6900
8075D300	66.94	+3.00	RDB6700	8175D150	69.44	+1.50	RDB6950
8075D400	67.94	+4.00	RDB6800	8175D200	69.94	+2.00	RDB7000
8075D450	68.44	+4.50	RDB6850				

set includes		
Clip Part No.	CW16	CW18
Pin Part No.	WP027	WP033
Rings	see above	see above
Price-Code	8	3/1
Stroke	54.00	68.00
Comp. Height (mm)	36.00	35.80

extra parts		
Wössner Connecting rods	P2035 `87-06	-
Needle bearing	N1017	N1022
Main bearing	MB83464A 3x (Left 1x & Inner 2x) MB83406 `Right	-

Yamaha® - 2 stroke



Model	YFZ350 Banshee / Long Rod Kit (+5mm) Must use Long Rod crank	YFZ350 Banshee / Long Rod Stroker Kit Must use Long Rod crank Stroke: 58mm
Years	06	06
Displ. (cc)	347	373

Piston Kit Part No.	Piston size (mm)	Over size (mm)	Ring Set Part No.	Piston Kit Part No.	Piston size (mm)	Over size (mm)	Ring Set Part No.
K8251DA-2	63.94	Std.	RDB6400	K8252DA-2	63.94	Std.	RDB6400
K8251D050-2	64.44	+0.50	RDB6450	K8252D050-2	64.44	+0.50	RDB6450
K8251D100-2	64.94	+1.00	RDB6500	K8252D100-2	64.94	+1.00	RDB6500
K8251D150-2	65.44	+1.50	RDB6550	K8252D150-2	65.44	+1.50	RDB6550
K8251D200-2	65.94	+2.00	RDB6600	K8252D200-2	65.94	+2.00	RDB6600

set includes		
Clip Part No.	CW16	CW16
Pin Part No.	WP027	WP027
Rings	see above	see above
Price-Code	8K	8K
Stroke	54.00	58.00
Comp. Height (mm)	31.00	31.00

extra parts		
Wössner Connecting rods	P2049 `87-06	P2049 `87-06
Needle bearing	N1017	N1017
Main bearing	-	-

Yamaha® - 4 stroke



Alle Angaben zum Verdichtungsverhältnis, Domvolumen und Kolbengewicht beziehen sich nur auf unser Standardmaß DA.

All information on compression ratio, dome volume and piston weight is valid for our standard size DA only.

New!

Model	YFM 250R Raptor / YBR250	YFM350 Warrior / Big Bear	YFM400FW Kodiak / YFM4 Grizzly 400
Years	08-12	86-05	00-06 / 07-08
Displ. (cc)	-	349	400

Piston Kit Part No.	Piston size (mm)	Over size (mm)	Ring Set Part No.	Piston Kit Part No.	Piston size (mm)	Over size (mm)	Ring Set Part No.	Piston Kit Part No.	Piston size (mm)	Over size (mm)	Ring Set Part No.
8724DA	73.95	Std.	740XDS	8605DA	82.94	Std.	830XSY	8901DA	84.42	Std.	845XSY
8724DB	73.96	+0.01	740XDS	8605DB	82.95	+0.01	830XSY	8901D050	84.92	+0.50	850XSY
8724D200	75.95	+2.00	760XDS	8605D050	83.44	+0.50	835XSY	8901D100	85.42	+1.00	855XSY
				8605D100	83.94	+1.00	840XSY				

	set includes		
Clip Part No.	CW17	CW19	CW20
Pin Part No.	WP083	WP026	WP052
Rings	see above	see above	see above
Price-Code	5/1	5/1	7
Stroke	58.00	64.50	70.50
Wössner/ OEM Comp. ratio	12.0:1 9.5:1	9.2:1 9.2:1	8.5:1 10.5:1
Dome Volume (CC)	+2.4 cm ³	+2.3 cm ³	-2.9 cm ³
Comp. Height (mm)	23.50	28.30	26.90

	extra parts		
Wössner Connecting rods	-	P4036 '87-04	-
Needle bearing	-	-	-
Main bearing	-	-	-

Yamaha® - 4 stroke



Alle Angaben zum Verdichtungsverhältnis, Domvolumen und Kolbengewicht beziehen sich nur auf unser Standardmaß DA.

All information on compression ratio, dome volume and piston weight is valid for our standard size DA only.

Model	YFM Big Bear 400 / YFM Kodiak 400 F,FW	YFM450 Kodiak / YFM450 Grizzly / YFM450 Wolverine / YXR450 Rhino (UTV)	YFZ450
Years	00-10 / 93-99	03-06 / 07-13 / 06-10 / 06-10	04-05
Displ. (cc)	400	421	449

Piston Kit Part No.	Piston size (mm)	Over size (mm)	Ring Set Part No.	Piston Kit Part No.	Piston size (mm)	Over size (mm)	Ring Set Part No.	Piston Kit Part No.	Piston size (mm)	Over size (mm)	Ring Set Part No.
8903DA	82.93	Std.	830XSY	8904DA	84.45	Std.	845XSY	8601DA	94.95	Std.	950XSY
8903D050	83.43	+0.50	835XSY	8904D050	84.95	+0.50	850XSY	8601DB	94.96	+0.01	950XSY
8903D100	83.93	+1.00	840XSY	8904D100	85.45	+1.00	855XSY	8601DC	94.97	+0.02	950XSY
								8601D300	97.95	+3.00	980XSY

	set includes		
Clip Part No.	CW19	CW20	CW20
Pin Part No.	WP026	WP065	WP038
Rings	see above	see above	see above
Price-Code	7	7	7
Stroke	74.00	75.00	62.00
Wössner/ OEM Comp. ratio	8.6:1 8.6:1	10.0:1 10.0:1	11.9:1 11.9:1
Dome Volume (CC)	-10.7 cm ³	-7.5 cm ³	-7.4 cm ³
Comp. Height (mm)	28.10	25.30	25.00

	extra parts		
Wössner Connecting rods	-	-	P4029
Needle bearing	-	-	-
Main bearing	-	-	2 x MB83C072C

Yamaha® - 4 stroke



Alle Angaben zum Verdichtungsverhältnis, Domvolumen und Kolbengewicht beziehen sich nur auf unser Standardmaß DA.

All information on compression ratio, dome volume and piston weight is valid for our standard size DA only.

Model	YFZ450 Pro Series	YFZ450 / YFZ450R	YFZ450 / YFZ450R Pro-Series
Years	04-05	06-12 / 09-current	06-12 / 09-current
Displ. (cc)	449	449	449

Piston Kit Part No.	Piston size (mm)	Over size (mm)	Ring Set Part No.	Piston Kit Part No.	Piston size (mm)	Over size (mm)	Ring Set Part No.	Piston Kit Part No.	Piston size (mm)	Over size (mm)	Ring Set Part No.
8655DA	94.95	Std.	950ADS-2	8784DA	94.95	Std.	950XDS	8657DA	94.95	Std.	950ADS-2
8655DB	94.96	+0.01	950ADS-2	8784DB	94.96	+0.01	950XDS	8657DB	94.96	+0.01	950ADS-2
				8784DC	94.97	+0.02	950XDS	8657DC	94.97	+0.02	950ADS-2

	set includes		
Clip Part No.	CW20	CW20	CW20
Pin Part No.	WP038	WP029	WP038
Rings	see above	see above	see above
Price-Code	7	7	7
Stroke	62.00	63.40	63.40
Wössner/ OEM Comp. ratio	12.6:1 11.9:1	11.6:1 11.4:1	13.5:1 11.4:1
Dome Volume (CC)	-2.8 cm ³	-8.5 cm ³	-1.6 cm ³
Comp. Height (mm)	25.00	25.10	25.10

	extra parts		
Wössner Connecting rods	P4029	P4030 `06-current	P4030 `06-current
Needle bearing	-	-	-
Main bearing	2 x MB83C072C	2 x MB83C072C	2 x MB83C072C

Yamaha® - 4 stroke



Alle Angaben zum Verdichtungsverhältnis, Domvolumen und Kolbengewicht beziehen sich nur auf unser Standardmaß DA.

All information on compression ratio, dome volume and piston weight is valid for our standard size DA only.

Model	YFM600 Grizzly	YFM660R Raptor / YFM660F Grizzly	YFM660R Raptor / YFM660F Grizzly Pro Series
Years	98-01	01-09	01-09
Displ. (cc)	595	660	660

Piston Kit Part No.	Piston size (mm)	Over size (mm)	Ring Set Part No.	Piston Kit Part No.	Piston size (mm)	Over size (mm)	Ring Set Part No.	Piston Kit Part No.	Piston size (mm)	Over size (mm)	Ring Set Part No.
DA - D600 WP009				8507DA	99.93	Std.	1000XSY	8577DA	99.93	Std.	1000XSY
8501DA	94.93	Std.	950XSY	8507DB	99.94	+0.01	1000XSY	8577DB	99.94	+0.01	1000XSY
8501DB	94.94	+0.01	950XSY	8507DC	99.95	+0.02	1000XSY	8577DC	99.95	+0.02	1000XSY
8501DC	94.95	+0.02	950XSY	8507D050	100.43	+0.50	1005XSY	8577D200	101.93	+2.00	1020XSU
8501D050	95.43	+0.50	955XSY	8507D100	100.93	+1.00	1010XSY				
8501D100	95.93	+1.00	960XSY	8507D150	101.43	+1.50	1015XSY				
8501D150	96.43	+1.50	965XSY	8507D200	101.93	+2.00	1020XSK				
8501D200	96.93	+2.00	970XSY								
8501D250	97.43	+2.50	975XSY								
8501D300	97.93	+3.00	980XSY								
D500 - D700 WP017											
8501D500	99.93	+5.00	1000XSY								
8501D600	100.93	+6.00	1010XSY								
8501D700	101.93	+7.00	1020XSU								

	set includes		
Clip Part No.	CW22	CW22	CW22
Pin Part No.	WP009 / WP017	WP017	WP009
Rings	see above	see above	see above
Price-Code	7	7/1	7
Stroke	84.00	84.00	84.00
Wössner/ OEM Comp. ratio	8.5:1 8.5:1	9.1:1 9.1:1	9.2:1 9.2:1
Dome Volume (CC)	-0.5 cm ³	-0.3 cm ³	+18.2 cm ³
Comp. Height (mm)	28.00	27.00	27.00

	extra parts		
Wössner Connecting rods	-	P4037 `01 P4038 `02-05	P4037 `01 P4038 `02-05
Needle bearing	-	-	-
Main bearing	-	-	-

Yamaha® - 4 stroke



Alle Angaben zum Verdichtungsverhältnis, Domvolumen und Kolbengewicht beziehen sich nur auf unser Standardmaß DA.

All information on compression ratio, dome volume and piston weight is valid for our standard size DA only.

Model	YFM700 Raptor Pro Series
Years	06-current
Displ. (cc)	686

Piston Kit Part No.	Piston size (mm)	Over size (mm)	Ring Set Part No.
8673DA	101.94	Std.	1020XSU
8673D100	102.94	+1.00	1030XSU
8673D200	103.94	+2.00	1040XSU

set includes	
Clip Part No.	CW23
Pin Part No.	WP024
Rings	see above
Price-Code	7
Stroke	84.00
Wössner/ OEM Comp. ratio	11.0:1 9.2:1
Dome Volume (CC)	+7.1 cm ³
Comp. Height (mm)	27.50

extra parts	
Wössner Connecting rods	P4031
Needle bearing	-
Main bearing	-

Aprilia® - 2 stroke



Model	Futura / AF1/ RX / Red Rose / Rally/ Syntesi / Pegaso / Tuareg / Europe / Replica / RS125/	RS125 Single Ring
Years	85-12	85-12
Displ. (cc)	125	125

Piston Kit Part No.	Piston size (mm)	Over size (mm)	Ring Set Part No.	Piston Kit Part No.	Piston size (mm)	Over size (mm)	Ring Set Part No.
8027DA	53.95	Std.	RDB5400	8253DA	53.95	Std.	RSB5400
8027DB	53.96	+0.01	RDB5400	8253DB	53.96	+0.01	RSB5400
8027DC	53.97	+0.02	RDB5400	8253DC	53.97	+0.02	RSB5400
8027DD	53.98	+0.03	RDB5400				
8027DE	53.99	+0.04	RDB5400				
8027D025	54.20	+0.25	RDB5425				
8027D050	54.45	+0.50	RDB5450				
8027D075	54,70	+0.75	RDB5475				
8027D100	54.95	+1.00	RDB5500				

set includes		
Clip Part No.	CW15	CW15
Pin Part No.	WP032	WP032
Rings	see above	see above
Price-Code	2	2
Stroke	54.50	54.50
Comp. Height (mm)	29.00	29.00

extra parts		
Wössner Connecting rods	P2051	P2051
Needle bearing	N1010	N1010
Main bearing	-	-

Aprilia® - 2 stroke



Model	GP 125	RS250 / Bicilindrico Twin Single Ring
Years	all	all
Displ. (cc)	125	249

Piston Kit Part No.	Piston size (mm)	Over size (mm)	Ring Set Part No.	Piston Kit Part No.	Piston size (mm)	Over size (mm)	Ring Set Part No.
8243DA	53.965	Std.	RSA5400	8039DA	55.95	Std.	RSB5600
8243D005	53.970	+0.01	RSA5400	8039DB	55.96	+0.01	RSB5600
8243D015	53.980	+0.02	RSA5400	8039DC	55.97	+0.02	RSB5600
				8039D050	56.45	+0.50	RSB5650
				8039D100	56.95	+1.00	RSB5700

set includes		
Clip Part No.	CW15	CW16
Pin Part No.	WP032	WP036
Rings	see above	see above
Price-Code	21	2
Stroke	54.50	50.60
Comp. Height (mm)	24.00	28.50

extra parts		
Wössner Connecting rods	-	-
Needle bearing	N1010	-
Main bearing	-	-

BMW® - 4 stroke



Alle Angaben zum Verdichtungsverhältnis, Domvolumen und Kolbengewicht beziehen sich nur auf unser Standardmaß DA.

All information on compression ratio, dome volume and piston weight is valid for our standard size DA only.

Model	1100RS / 1100GS / 1100S / 1150RS / 1150GS / 1150S	1100RS / 1100GS / 1100S / 1150RS / 1150GS / 1150S	1100RS / 1100GS / 1100RT / 1100R / 1150 RS / 1150GS / 1150RT / 1150R Longer con rod *
Years	all	all	all
Displ. (cc)	1085	1129	1170

Piston Kit Part No.	Piston size (mm)	Over size (mm)	Ring Set Part No.	Piston Kit Part No.	Piston size (mm)	Over size (mm)	Ring Set Part No.	Piston Kit Part No.	Piston size (mm)	Over size (mm)	Ring Set Part No.
K8543DA-2	98.96	Std.	990XSY	K8543D200-2	100.96	+2.00	1010XSY	K8711D200-2	100.96	Std.	1010XSY

set includes			
Clip Part No.	C22X1.6	C22X1.6	C22X1.6
Pin Part No.	WP009	WP009	WP009
Rings	see above	see above	see above
Price-Code	9	9	9
Stroke	70.50	70.50	70.50
Wössner/ OEM Comp. ratio	10.7:1 10.7:1	10.7:1 10.7:1	12.5:1 10.7:1
Dome Volume (CC)	+2.3 cm ³	+2.3 cm ³	+4.4 cm ³
Comp. Height (mm)	32.10	32.10	29.00

extra parts			
Wössner Connecting rods	-	-	PM001-2
Needle bearing	-	-	-
Main bearing	-	-	-

BMW® - 4 stroke



Alle Angaben zum Verdichtungsverhältnis, Domvolumen und Kolbengewicht beziehen sich nur auf unser Standardmaß DA.

All information on compression ratio, dome volume and piston weight is valid for our standard size DA only.

Model	1200ST / 1200C Cruiser Welle	R1200GS / R1200S / R1200ST / R1200RT / R1200R	R1200GS / R1200S / R1200ST / R1200RT / R1200R - Pro-Series
Years	all	06-09	06-09
Displ. (cc)	1170	1170	1170

Piston Kit Part No.	Piston size (mm)	Over size (mm)	Ring Set Part No.	Piston Kit Part No.	Piston size (mm)	Over size (mm)	Ring Set Part No.	Piston Kit Part No.	Piston size (mm)	Over size (mm)	Ring Set Part No.
K8544DA-2	100.96	Std.	1010XS-3	K8658DA-2	100.96	Std.	1010XS	K8695DA-2	100.96	Std.	1010XS

set includes			
Clip Part No.	C22X1.6	C22X1.6	C22X1.6
Pin Part No.	WP009	WP009	WP009
Rings	see above	see above	see above
Price-Code	9	9	9
Stroke	73.00	73.00	73.00
Wössner/ OEM Comp. ratio	10.0:1 10.0:1	12.0:1 12.0:1	12.7:1 12.0:1
Dome Volume (CC)	+2.4 cm ³	-3.4 cm ³	+ 4.4 cm ³
Comp. Height (mm)	30.700	30.90	30.90

extra parts			
Wössner Connecting rods	-	-	-
Needle bearing	-	-	-
Main bearing	-	-	-

BMW® - 4 stroke



Alle Angaben zum Verdichtungsverhältnis, Domvolumen und Kolbengewicht beziehen sich nur auf unser Standardmaß DA.

All information on compression ratio, dome volume and piston weight is valid for our standard size DA only.

* OEM Teile müssen eingesetzt werden und sind nicht enthalten.
OEM parts must be used and are not included.

Model	R1200GS / R1200S / R1200ST / R1200RT / R1200R Pro Series - Longer con rod *	R1200GS / R1200RT / R1200R (DOHC) Radial Head	R1200GS / R1200RT / R1200R (DOHC) Longer con rod * Radial Head
Years	06-09	10-12	10-12
Displ. (cc)	1170	1170	1170

Piston Kit Part No.	Piston size (mm)	Over size (mm)	Ring Set Part No.	Piston Kit Part No.	Piston size (mm)	Over size (mm)	Ring Set Part No.	Piston Kit Part No.	Piston size (mm)	Over size (mm)	Ring Set Part No.
K8710DA-2	100.96	Std.	1010XSY	K8788DA-2	100.96	Std.	1010XSY	K8789DA-2	100.96	Std.	1010XSY
K8710D200-2	102.96	+2.00	1030XSU								

	set includes		
Clip Part No.	C22X1.6	OEM* - not included	C22X1.6
Pin Part No.	WP009	WP069	WP009
Rings	see above	see above	see above
Price-Code	9	9	9
Stroke	73.00	73.00	73.00
Wössner/ OEM Comp. ratio	12.7:1 12.0:1	12.5:1 12.0:1	12.5:1 12.0:1
Dome Volume (CC)	+4.4 cm ³	-2.4 cm ³	-2.4 cm ³ / -8.9 cm ³
Comp. Height (mm)	27.90	31.00	28.00

	extra parts		
Wössner Connecting rods	KPM001	-	KPM001
Needle bearing	-	-	-
Main bearing	-	-	-

Cagiva® - 2 stroke



Model	Mito / Raptor / Supercity / Planet / W8 / domed Head 200A,C,D,E,G	Mito/ Raptor / Supercity / Planet / W8 / Flat top Head 200H,M
Years	00-12	00-12
Displ. (cc)	124	124

Piston Kit Part No.	Piston size (mm)	Over size (mm)	Ring Set Part No.	Piston Kit Part No.	Piston size (mm)	Over size (mm)	Ring Set Part No.
8018DA	55.95	Std.	RDB5600	8053DA	55.95	Std.	RDB5600
8018DB	55.96	+0.01	RDB5600	8053DB	55.96	+0.01	RDB5600
8018DC	55.97	+0.02	RDB5600	8053DC	55.97	+0.02	RDB5600
8018D050	56.45	+0.50	RDB5650	8053D050	56.45	+0.50	RDB5650
8018D100	56.95	+1.00	RDB5700	8053D100	56.95	+1.00	RDB5700

set includes		
Clip Part No.	CW16	CW16
Pin Part No.	WP036	WP036
Rings	see above	see above
Price-Code	2	2
Stroke	50.60	50.60
Comp. Height (mm)	25.00	25.00

extra parts		
Wössner Connecting rods	-	-
Needle bearing	N1014	N1014
Main bearing	-	-

Ducati® - 4 stroke



Model	848 Racing	900SS / 900Monster	996SPS / 996RS / 996Monster S4R
Years	07-08	all	all
Displ. (cc)	848	904	996

Piston Kit Part No.	Piston size (mm)	Over size (mm)	Ring Set Part No.	Piston Kit Part No.	Piston size (mm)	Over size (mm)	Ring Set Part No.	Piston Kit Part No.	Piston size (mm)	Over size (mm)	Ring Set Part No.
K8765DA-2	93.94	Std.	940XSY	K8545DA-2	91.94	Std.	920XSY	K8757DA-2	97.94	Std.	980XSY
				K8545D200-2	93.94	+2.00	940XSY				
				K8545D300-2	94.94	+3.00	950XSY				
				K8545D400-2	95.94	+4.00	960XSY				

	set includes		
Clip Part No.	CW20	CW19	CW20
Pin Part No.	WP038	WP018	WP029
Rings	see above	see above	see above
Price-Code	24	24	24
Stroke	61.20	68.00	66.00
Wössner/ OEM Comp. ratio	12.0:1 12.0:1	13.5:1 9.2:1	11.5:1 11.5:1
Dome Volume (CC)	-3.2 cm ³	+13.3 cm ³	-1.3 cm ³
Comp. Height (mm)	28.00	28.60	27.40

	extra parts		
Wössner Connecting rods	-	-	-
Needle bearing	-	-	-
Main bearing	-	-	-

Ducati® - 4 stroke



Alle Angaben zum Verdichtungsverhältnis, Domvolumen und Kolbengewicht beziehen sich nur auf unser Standardmaß DA.

All information on compression ratio, dome volume and piston weight is valid for our standard size DA only.

Model	998 Testa Stretta Racing / 999S	999R Racing	999R Racing
Years	all	03-04	05-06
Displ. (cc)	998	999	999

Piston Kit Part No.	Piston size (mm)	Over size (mm)	Ring Set Part No.	Piston Kit Part No.	Piston size (mm)	Over size (mm)	Ring Set Part No.	Piston Kit Part No.	Piston size (mm)	Over size (mm)	Ring Set Part No.
K8758DA-2	99.94	Std.	1000XSY	K8759DA-2	103.94	Std.	1040XSU	K8760DA-2	103.94	Std.	1040XSU

set includes			
Clip Part No.	CW20	-	-
Pin Part No.	WP038	-	-
Rings	see above	see above	see above
Price-Code	24	24	24
Stroke	63.50	58.80	-
Wössner/ OEM Comp. ratio	11.4:1 11.4:1	- 12.5:1	- 12.5:1
Dome Volume (CC)	-5.3 cm ³	-	-
Comp. Height (mm)	26.80	-	-

extra parts			
Wössner Connecting rods	-	-	-
Needle bearing	-	-	-
Main bearing	-	-	-

Ducati® - 4 stroke



Alle Angaben zum Verdichtungsverhältnis, Domvolumen und Kolbengewicht beziehen sich nur auf unser Standardmaß DA.

All information on compression ratio, dome volume and piston weight is valid for our standard size DA only.

Model	999RS / 1098RS	1098R / 1098SP	1198S
Years	all	all	09-11
Displ. (cc)	1099	1099	1198

Piston Kit Part No.	Piston size (mm)	Over size (mm)	Ring Set Part No.	Piston Kit Part No.	Piston size (mm)	Over size (mm)	Ring Set Part No.	Piston Kit Part No.	Piston size (mm)	Over size (mm)	Ring Set Part No.
K8764DA-2	103.93	Std.	1040XSU	K8763DA-2	105.93	Std.	1060XSU	K8833D200-2	105.93	Std.	1060XSU

set includes			
Clip Part No.	CW20	CW20	CW20
Pin Part No.	WP038	WP038	WP038
Rings	see above	see above	see above
Price-Code	24	24	24
Stroke	58.50	67.90	67.90
Wössner/ OEM Comp. ratio	12.5:1 12.5:1	12.8:1 12.8:1	14.7:1 12.8:1
Dome Volume (CC)	-0.2 cm ³	-9.2 cm ³	-2.6 cm ³
Comp. Height (mm)	26.80	26.00	26.50

extra parts			
Wössner Connecting rods	-	-	-
Needle bearing	-	-	-
Main bearing	-	-	-

Honda® - 2 stroke



Model	RS125 GP	RS125 GP	RS125 GP Domed
Years	92-94	95-97	03-07
Displ. (cc)	124	124	124

Piston Kit Part No.	Piston size (mm)	Over size (mm)	Ring Set Part No.	Piston Kit Part No.	Piston size (mm)	Over size (mm)	Ring Set Part No.	Piston Kit Part No.	Piston size (mm)	Over size (mm)	Ring Set Part No.
8162DA	53.93	Std.	RSA5400	8242DA	53.93	Std.	RSA5400	8244DA	53.94	Std.	RSA5400
8162DB	53.94	+0.01	RSA5400	8242DB	53.94	+0.01	RSA5400	8244DB	53.95	+0.01	RSA5400
8162DC	53.95	+0.02	RSA5400					8244DC	53.96	+0.02	RSA5400
8162DD	53.96	+0.03	RSA5400								

	set includes		
Clip Part No.	CW14	CW15	CW15
Pin Part No.	WP025	WP032	WP067
Rings	see above	see above	see above
Price-Code	21	21	21
Stroke	54.50	54.50	54.50
Comp. Height (mm)	30.00	29.00	29.00

	extra parts		
Wössner Connecting rods	-	-	-
Needle bearing	N1010	-	-
Main bearing	-	-	-

Honda® - 2 stroke



Model	RS125 GP Flat
Years	03-07
Displ. (cc)	124

Piston Kit Part No.	Piston size (mm)	Over size (mm)	Ring Set Part No.
8245DA	53.94	Std.	RSA5400
8245DB	53.95	+0.01	RSA5400

set includes	
Clip Part No.	CW15
Pin Part No.	WP067
Rings	see above
Price-Code	21
Stroke	54.50
Comp. Height (mm)	29.00

extra parts	
Wössner Connecting rods	-
Needle bearing	-
Main bearing	-



Herman Jolink
Ducati 1198 RS (1266) Drag Bike

Honda® - 4 stroke



Alle Angaben zum Verdichtungsverhältnis, Domvolumen und Kolbengewicht beziehen sich nur auf unser Standardmaß DA.

All information on compression ratio, dome volume and piston weight is valid for our standard size DA only.

Model	CB750 F / CB750 K 2 Valve	CB750 4 Valve
Years	69-78	79-82
Displ. (cc)	836	823

Piston Kit Part No.	Piston size (mm)	Over size (mm)	Ring Set Part No.	Piston Kit Part No.	Piston size (mm)	Over size (mm)	Ring Set Part No.
K8799D400-4	64.94	+4.00	650XKS	K8834D300-4	64.94	+3.00	-

set includes	
Clip Part No.	CW15
Pin Part No.	WP102
Rings	see above
Price-Code	10
Stroke	63.00
Wössner/ OEM Comp. ratio	10.3:1 9.2:1
Dome Volume (CC)	+5.3 cm ³
Comp. Height (mm)	23.50

extra parts	
Wössner Connecting rods	-
Needle bearing	-
Main bearing	-

Honda® - 4 stroke



Alle Angaben zum Verdichtungsverhältnis, Domvolumen und Kolbengewicht beziehen sich nur auf unser Standardmaß DA.

All information on compression ratio, dome volume and piston weight is valid for our standard size DA only.

Model	CBR954RR	CBR1000RR
Years	02-04	04-07
Displ. (cc)	954	998

Piston Kit Part No.	Piston size (mm)	Over size (mm)	Ring Set Part No.	Piston Kit Part No.	Piston size (mm)	Over size (mm)	Ring Set Part No.
K8804DA-4	74.94	Std.	-	K8742DA-4	74.95	Std.	750XKS
				K8742D200-4	76.95	+2.00	RIK77.00D3

set includes	
Clip Part No.	- CW17
Pin Part No.	- WP083
Rings	see above
Price-Code	10 10/1
Stroke	54.00 56.50
Wössner/ OEM Comp. ratio	- 13.5:1 11.5:1 12.2:1
Dome Volume (CC)	- +0.0 cm ³
Comp. Height (mm)	- 23.50

extra parts	
Wössner Connecting rods	-
Needle bearing	-
Main bearing	-

Honda® - 4 stroke

Alle Angaben zum Verdichtungsverhältnis, Domvolumen und Kolbengewicht beziehen sich nur auf unser Standardmaß DA.

All information on compression ratio, dome volume and piston weight is valid for our standard size DA only.

* OEM Teile müssen eingesetzt werden und sind nicht enthalten.
OEM parts must be used and are not included.



New!

Model	CBR1000RR Racing	CB1100F / CB1100R	Moto3
Years	08-11	82-84 / 82-84	12-13
Displ. (cc)	1025	1123	249

Piston Kit Part No.	Piston size (mm)	Over size (mm)	Ring Set Part No.	Piston Kit Part No.	Piston size (mm)	Over size (mm)	Ring Set Part No.	Piston Kit Part No.	Piston size (mm)	Over size (mm)	Ring Set Part No.
K8743DA-4	75.96	Std.	760XAS	K8561D200-4	71.94	+2.00	720XDS	8883DA	77.96	Std.	OEM*
K8743D200-4	77.96	+2.00	780XAS					8883DB	77.97	+0.01	OEM*

	set includes		
Clip Part No.	CW17	CW17	CW16
Pin Part No.	WP083	WP083	WP112
Rings	see above	see above	see above / OEM parts not included
Price-Code	10/1	10/1	27
Stroke	55.10	69.00	52.20
Wössner/ OEM Comp. ratio	13.5:1 12.3:1	10.0:1 9.7:1	12.9:1 12.3:1
Dome Volume (CC)	-3.3 cm ³	+3.7 cm ³	-2.8 cm ³
Comp. Height (mm)	23.50	25.40	19.50

	extra parts		
Wössner Connecting rods	-	-	-
Needle bearing	-	-	-
Main bearing	-	-	-

Kawasaki® - 2 stroke



Model	350 S2 / Mach II	400 S3	500 S / 500 H1 / 500 KH Triple Cylinder
Years	71	74-75	69-76
Displ. (cc)	346	400	498

Piston Kit Part No.	Piston size (mm)	Over size (mm)	Ring Set Part No.	Piston Kit Part No.	Piston size (mm)	Over size (mm)	Ring Set Part No.	Piston Kit Part No.	Piston size (mm)	Over size (mm)	Ring Set Part No.
K8255DA-3	52.94	Std.	RDB5300	K8275DA-3	56.94	Std.	RDB5700	K8247DA-3	59.93	Std.	RDB6000
K8255D050-3	53.44	+0.50	RDB5350	K8275D050-3	57.44	+0.50	RDB5750	K8247D050-3	60.43	+0.50	RDB6050
K8255D100-3	53.94	+1.00	RDB5400	K8275D100-3	57.94	+1.00	RDB5800	K8247D100-3	60.93	+1.00	RDB6100
K8255D150-3	54.44	+1.50	RDB5450	K8275D150-3	58.44	+1.50	RDB5850	K8247D150-3	61.43	+1.50	RDB6150
				K8275D200-3	58.94	+2.00	RDB5900	K8247D200-3	61.93	+2.00	RDB6200

set includes			
Clip Part No.	CW15	CW15	CW16
Pin Part No.	WP032	WP032	WP041
Rings	see above	see above	see above
Price-Code	29	29	29
Stroke	52.30	52.30	58.80
Comp. Height (mm)	28.50	28.50	31.90

extra parts			
Wössner Connecting rods	-	-	-
Needle bearing	-	-	N1014
Main bearing	-	-	-

Kawasaki® - 2 stroke



Model	750 Mach IV / 750 H2 Triple Cylinder
Years	72-75
Displ. (cc)	747

Piston Kit Part No.	Piston size (mm)	Over size (mm)	Ring Set Part No.
K8248DA-3	70.93	Std.	RDB7100
K8248D050-3	71.43	+0.50	RDB7150
K8248D100-3	71.93	+1.00	RDB7200
K8248D150-3	72.43	+1.50	RDB7250
K8248D200-3	72.93	+2.00	RDB7300
K8248D250-3	73.43	+2.50	RDB7350

set includes	
Clip Part No.	CW16
Pin Part No.	WP027
Rings	see above
Price-Code	30
Stroke	63.00
Comp. Height (mm)	32.00

extra parts	
Wössner Connecting rods	-
Needle bearing	N1017
Main bearing	-



Kawasaki® - 4 stroke



Alle Angaben zum Verdichtungsverhältnis, Domvolumen und Kolbengewicht beziehen sich nur auf unser Standardmaß DA.

All information on compression ratio, dome volume and piston weight is valid for our standard size DA only.

* OEM Teile müssen eingesetzt werden und sind nicht enthalten.
OEM parts must be used and are not included.

Model	EX650 Ninja 3. Ring	EX650 Ninja 2. Ring	EX650 Ninja 2. Ring New!
Years	06-11	06-11	09-13
Displ. (cc)	649	649	

Piston Kit Part No.	Piston size (mm)	Over size (mm)	Ring Set Part No.	Piston Kit Part No.	Piston size (mm)	Over size (mm)	Ring Set Part No.	Piston Kit Part No.	Piston size (mm)	Over size (mm)	Ring Set Part No.
K8696DA-2	82.95	Std.	OEM*	K8697DA-2	82.95	Std.	830XSY	K8726DA-2	83.95	Std.	840XSY

set includes			
Clip Part No.	CW19	CW19	CW19
Pin Part No.	WP028	WP028	WP028
Rings	see above / OEM parts not included	see above	see above
Price-Code	9/1	9/1	9/1
Stroke	60.00	60.00	-
Wössner/ OEM Comp. ratio	12.6:1 11.3:1	12.6:1 11.3:1	- -
Dome Volume (CC)	-3.7 cm ³	-3.7 cm ³	-
Comp. Height (mm)	23.60	23.60	-

extra parts			
Wössner Connecting rods	-	-	-
Needle bearing	-	-	-
Main bearing	-	-	-

Kawasaki® - 4 stroke



Alle Angaben zum Verdichtungsverhältnis, Domvolumen und Kolbengewicht beziehen sich nur auf unser Standardmaß DA.

All information on compression ratio, dome volume and piston weight is valid for our standard size DA only.

* OEM Teile müssen eingesetzt werden und sind nicht enthalten.
OEM parts must be used and are not included.

Model	ZX10R Racing	ZX10R Turbo	ZX10R
Years	04-07	04-07	08-10
Displ. (cc)	998 / 1051	998 / 1051	998 / 1051

Piston Kit Part No.	Piston size (mm)	Over size (mm)	Ring Set Part No.	Piston Kit Part No.	Piston size (mm)	Over size (mm)	Ring Set Part No.	Piston Kit Part No.	Piston size (mm)	Over size (mm)	Ring Set Part No.
K8746DA-4	75.94	Std.	OEM*	K8767DA-4	75.94	Std.	760XAS	K8746DA-4	75.94	Std.	OEM*
K8746D200-4	77.94	+2.00	780XWY	K8767D200-4	77.94	+2.00	780XAS	K8746D200-4	77.94	+2.00	780XWY
K8746D300-4	78.94	+3.00	RIK79.00D3					K8746D300-4	78.94	+3.00	RIK79.00D3

	set includes		
Clip Part No.	CW17	CW17	CW17
Pin Part No.	WP083	WP090	WP083
Rings	see above / OEM parts not included	see above	see above / OEM parts not included
Price-Code	10/1	10/1	10/1
Stroke	55.00	55.00	55.00
Wössner/ OEM Comp. ratio	13.4:1 12.7:1	10.0:1 12.7:1	13.7:1 12.9:1
Dome Volume (CC)	-1.8 cm ³	-9.3 cm ³	-1.8 cm ³
Comp. Height (mm)	22.70	22.70	22.70

	extra parts		
Wössner Connecting rods	-	-	-
Needle bearing	-	-	-
Main bearing	-	-	-

Kawasaki® - 4 stroke



Alle Angaben zum Verdichtungsverhältnis, Domvolumen und Kolbengewicht beziehen sich nur auf unser Standardmaß DA.

All information on compression ratio, dome volume and piston weight is valid for our standard size DA only.

Model	ZX10R Turbo	ZX10R	KZ1000J / KZ1000R
Years	08-10	11-current	81-83
Displ. (cc)	998 / 1051	998	1075 / 1105

Piston Kit Part No.	Piston size (mm)	Over size (mm)	Ring Set Part No.	Piston Kit Part No.	Piston size (mm)	Over size (mm)	Ring Set Part No.	Piston Kit Part No.	Piston size (mm)	Over size (mm)	Ring Set Part No.
K8767DA-4	75.94	Std.	760XAS	K8832DA-4	75.94	Std.	760XAS	K8796D250-4	71.94	+2.50	720XDS
K8767D200-4	77.94	+2.00	780XAS	K8832D200-4	77.94	+2.00	780XAS	K8796D350-4	72.94	+3.50	730XDS
				K8832D300-4	78.94	+3.00	790XAS				

set includes			
Clip Part No.	CW17	CW17	CW17
Pin Part No.	WP090	WP083	WP083
Rings	see above	see above	see above
Price-Code	10/1	10	10
Stroke	55.00	55.00	66.00
Wössner/ OEM Comp. ratio	10.3:1 12.9:1	13.5:1 13.0:1	10.3:1 / 10.5:1 9.2:1
Dome Volume (CC)	-9.3 cm ³	-3.0 cm ³	18.8 cm ³
Comp. Height (mm)	22.70	22.70	25.30

extra parts			
Wössner Connecting rods	-	-	-
Needle bearing	-	-	-
Main bearing	-	-	-

Kawasaki® - 4 stroke



Alle Angaben zum Verdichtungsverhältnis, Domvolumen und Kolbengewicht beziehen sich nur auf unser Standardmaß DA.

All information on compression ratio, dome volume and piston weight is valid for our standard size DA only.

Model	KZ1000 / KZ1000ST / Z1R / Z2R	GPZ1100 17mm Pin	KZ1100 / GPZ1100 / GPZX1100 / ZX1100 18mm Pin
Years	80 / 80 / 77-80 / 77-80	81-82	83-84
Displ. (cc)	1045 / 1075	1135 / 1166	1170 / 1262

Piston Kit Part No.	Piston size (mm)	Over size (mm)	Ring Set Part No.	Piston Kit Part No.	Piston size (mm)	Over size (mm)	Ring Set Part No.	Piston Kit Part No.	Piston size (mm)	Over size (mm)	Ring Set Part No.
K8797D100-4	70.94	+1.00	710XDS	K8819D150-4	73.94	+1.50	740XDS	K8798D250-4	74.94	+2.50	750XDS
K8797D200-4	71.94	+2.00	720XDS	K8819D250-4	74.94	+2.50	750XDS	K8798D550-4	77.94	+5.50	780XDS

	set includes		
Clip Part No.	CW17	CW17	CW18
Pin Part No.	WP083	WP083	WP031
Rings	see above	see above	see above
Price-Code	10	10	10
Stroke	66.00	66.00	66.20
Wössner/ OEM Comp. ratio	10.0:1 8.7:1	10.3:1 / 10.5:1 8.9:1	10.3:1 / 11.0:1 9.5:1
Dome Volume (CC)	+10.0 cm ³	+16.5 cm ³	+16.2 cm ³
Comp. Height (mm)	24.70	25.30	25.60

	extra parts		
Wössner Connecting rods	-	-	-
Needle bearing	-	-	-
Main bearing	-	-	-

Kawasaki® - 4 stroke



Alle Angaben zum Verdichtungsverhältnis, Domvolumen und Kolbengewicht beziehen sich nur auf unser Standardmaß DA.

All information on compression ratio, dome volume and piston weight is valid for our standard size DA only.

Model	ZX11 C1 / ZX11 D1 / ZZR1100 / ZRX1100 / GPZ1100	ZX11	ZX12 Turbo
Years	90-94 / 93-01 / 90-01 / 97-01 / 95-97	90-01	00-05
Displ. (cc)	1109	1080 / 1109	1198 / 1257

Piston Kit Part No.	Piston size (mm)	Over size (mm)	Ring Set Part No.	Piston Kit Part No.	Piston size (mm)	Over size (mm)	Ring Set Part No.	Piston Kit Part No.	Piston size (mm)	Over size (mm)	Ring Set Part No.
K8800D200-4	77.94	+2.00	780XDS	K8801D100-4	76.95	+1.00	770XDS	K8779DA-4	82.93	Std.	830XTY
				K8801D200-4	77.95	+2.00	780XDS	K8779D200-4	84.93	+2.00	850XTY

set includes			
Clip Part No.	CW18	-	CW21
Pin Part No.	WP099	-	WP092
Rings	see above	see above	see above
Price-Code	10	10	10
Stroke	58.00	58.00	55.40
Wössner/ OEM Comp. ratio	11.8:1 10.1:1	- 11.0:1	9.8:1 12.2:1
Dome Volume (CC)	-3.9 cm ³	-	-9.8 cm ³
Comp. Height (mm)	24.40	24.40	25.00

extra parts			
Wössner Connecting rods	-	-	-
Needle bearing	-	-	-
Main bearing	-	-	-

Kawasaki® - 4 stroke



Alle Angaben zum Verdichtungsverhältnis, Domvolumen und Kolbengewicht beziehen sich nur auf unser Standardmaß DA.

All information on compression ratio, dome volume and piston weight is valid for our standard size DA only.

Model	ZX14 Pro Series	ZX14 Turbo
Years	06-09	06-09
Displ. (cc)	1352	1352

Piston Kit Part No.	Piston size (mm)	Over size (mm)	Ring Set Part No.	Piston Kit Part No.	Piston size (mm)	Over size (mm)	Ring Set Part No.
K8785DA-4	83.93	Std.	840XDS	K8780DA-4	83.93	Std.	840XDS
K8785D200-4	85.93	+2.00	860XDS	K8780D200-4	85.93	+2.00	860XDS
K8785D300-4	86.93	+3.00	870XDS				

set includes		
Clip Part No.	CW20	CW20
Pin Part No.	WP038	WP065
Rings	see above	see above
Price-Code	10/1	10/1
Stroke	61.00	61.00
Wössner/ OEM Comp. ratio	13.5:1 12.0:1	9.0:1 12.0:1
Dome Volume (CC)	-2.4 cm ³	-18.0 cm ³
Comp. Height (mm)	24.50	24.50

extra parts		
Wössner Connecting rods	KPM007	-
Needle bearing	-	-
Main bearing	-	-

Sachs® - 2 stroke



Model	Sachs 125/6 New!	Sachs 125/7 New!
Years	-	-
Displ. (cc)	122	122

Piston Kit Part No.	Piston size (mm)	Over size (mm)	Ring Set Part No.	Piston Kit Part No.	Piston size (mm)	Over size (mm)	Ring Set Part No.
8286D050	54.44	+0.50	RDB5450	8287D050	54.19	+0.50	RSB5425
8286D100	54.94	+1.00	RDB5500	8287D100	54.69	+1.00	RSB5475
8286D150	55.44	+1.50	RDB5550	8287D150	55.19	+1.50	RSB5525
8286D200	55.94	+2.00	RDB5600	8287D200	55.69	+2.00	RSB5575

set includes		
Clip Part No.	CW15	CW16
Pin Part No.	WP032	WP036
Rings	see above	see above
Price-Code	2	2
Stroke	54.00	54.00
Comp. Height (mm)	38.00	38.00

extra parts		
Wössner Connecting rods	-	-
Needle bearing	-	-
Main bearing	-	-

Suzuki® - 2 stroke



Model	T500 / GT500 Twin Cylinder	GT-750
Years	76-77	72-77
Displ. (cc)	492	750

Piston Kit Part No.	Piston size (mm)	Over size (mm)	Ring Set Part No.	Piston Kit Part No.	Piston size (mm)	Over size (mm)	Ring Set Part No.
K8276DA-2	69.91	Std.	RDB7000	K8276DA-3	69.91	Std.	RDB7000
K8276D050-2	70.41	+0.50	RDB7050	K8276D050-3	70.41	+0.50	RDB7050
K8276D100-2	70.91	+1.00	RDB7100	K8276D100-3	70.91	+1.00	RDB7100
K8276D150-2	71.41	+1.50	RDB7150	K8276D150-3	71.41	+1.50	RDB7150
K8276D200-2	71.91	+2.00	RDB7200	K8276D200-3	71.91	+2.00	RDB7200

set includes		
Clip Part No.	CW18	CW18
Pin Part No.	WP033	WP033
Rings	see above	see above
Price-Code	3/2K	3/3K
Stroke	64.00	64.00
Comp. Height (mm)	31.80	31.80

extra parts		
Wössner Connecting rods	-	-
Needle bearing	-	-
Main bearing	-	-

Suzuki® - 4 stroke



Alle Angaben zum Verdichtungsverhältnis, Domvolumen und Kolbengewicht beziehen sich nur auf unser Standardmaß DA.

All information on compression ratio, dome volume and piston weight is valid for our standard size DA only.

Model	GSXR750	GSXR750 / GSXR750F Katana
Years	85-87	88-89 / 89-97
Displ. (cc)	771	771

Piston Kit Part No.	Piston size (mm)	Over size (mm)	Ring Set Part No.	Piston Kit Part No.	Piston size (mm)	Over size (mm)	Ring Set Part No.
K8836D100-4	70.94	+1.00	710XDS	K8817D100-4	73.94	+1.00	740XAS

set includes	
Clip Part No.	- CW19
Pin Part No.	- WP028
Rings	see above see above
Price-Code	10 10
Stroke	48.7 44.7
Wössner/ OEM Comp. ratio	- 11.7:1 11.0:1 10.9:1
Dome Volume (CC)	- +5.7 cm ³
Comp. Height (mm)	- 23.80

extra parts	
Wössner Connecting rods	- -
Needle bearing	- -
Main bearing	- -

Suzuki® - 4 stroke



Alle Angaben zum Verdichtungsverhältnis, Domvolumen und Kolbengewicht beziehen sich nur auf unser Standardmaß DA.

All information on compression ratio, dome volume and piston weight is valid for our standard size DA only.

Model	GSX1100E	GSXR1100 / GSF1200 Bandit / GSXR1100F Katana	GSXR1000
Years	80-83	89-92 / 89-92 / 89-92	01-04
Displ. (cc)	1134	1165 / 1194 / 1224 / 1254 / 1315	988

Piston Kit Part No.	Piston size (mm)	Over size (mm)	Ring Set Part No.	Piston Kit Part No.	Piston size (mm)	Over size (mm)	Ring Set Part No.	Piston Kit Part No.	Piston size (mm)	Over size (mm)	Ring Set Part No.
K8838D200-4	73.94	+2.00	740XDS	K8530D200-4	79.94	+2.00	800XDS	K8754DA-4	72.96	Std.	730XDS
				K8530D300-4	80.94	+3.00	810XSY				
				K8530D400-4	81.94	+4.00	820XSY				
				K8530D500-4	82.94	+5.00	830XSY				
				K8530D700-4	84.94	+7.00	850XSY				

	set includes		
Clip Part No.	CW18	CW20	CW16
Pin Part No.	WP054	WP029	WP059
Rings	see above	see above	see above
Price-Code	10	10	10
Stroke	66.00	58.00	59.00
Wössner/ OEM Comp. ratio	9.5:1 9.5:1	9.5:1 9.5:1	14.0:1 12.0:1
Dome Volume (CC)	-1.0 cm ³	+3.8 cm ³	-4.4 cm ³
Comp. Height (mm)	27.20	25.30	22.55

	extra parts		
Wössner Connecting rods	-	-	KPM005
Needle bearing	-	-	-
Main bearing	-	-	-

Suzuki® - 4 stroke



Alle Angaben zum Verdichtungsverhältnis, Domvolumen und Kolbengewicht beziehen sich nur auf unser Standardmaß DA.

All information on compression ratio, dome volume and piston weight is valid for our standard size DA only.

* OEM Teile müssen eingesetzt werden und sind nicht enthalten.
OEM parts must be used and are not included.

Model	GSXR1000 Turbo	GSXR1000	GSXR1000 Turbo
Years	01-04	05-08	05-08
Displ. (cc)	988 / 1042	998 / 1024 / 1070	998 / 1042 / 1070

Piston Kit Part No.	Piston size (mm)	Over size (mm)	Ring Set Part No.	Piston Kit Part No.	Piston size (mm)	Over size (mm)	Ring Set Part No.	Piston Kit Part No.	Piston size (mm)	Over size (mm)	Ring Set Part No.
K8755DA-4	72.96	Std.	730XAS	K8700DA-4	73.36	Std.	OEM*	K8747DA-4	73.36	Std.	OEM*
K8755D200-4	74.96	+2.00	750XKS	K8700D160-4	74.96	+1.60	750XDS	K8747D160-4	74.96	+1.60	750XKS
				K8700D260-4	75.96	+2.60	760XDS				

set includes			
Clip Part No.	CW16	CW15	CW15
Pin Part No.	WP059	WP011	WP011
Rings	see above	see above / OEM parts not included	see above / OEM parts not included
Price-Code	10	10	10
Stroke	59.00	59.00	59.00
Wössner/ OEM Comp. ratio	10.0:1 12.0:1	14.0:1 / 14.6:1 / 14.9:1 12.5:1	10.0:1 12.5:1
Dome Volume (CC)	-12.1 cm ³	-4.4 cm ³	-12.5 cm ³
Comp. Height (mm)	22.55	22.50	22.50

extra parts			
Wössner Connecting rods	KPM005	KPM006	KPM006
Needle bearing	-	-	-
Main bearing	-	-	-

Suzuki® - 4 stroke



Alle Angaben zum Verdichtungsverhältnis, Domvolumen und Kolbengewicht beziehen sich nur auf unser Standardmaß DA.

All information on compression ratio, dome volume and piston weight is valid for our standard size DA only.

* OEM Teile müssen eingesetzt werden und sind nicht enthalten.
OEM parts must be used and are not included.

Model	GSXR1000	GSXR1000 Turbo	Hayabusa HC / 3. Ring
Years	09-current	09-current	99-07
Displ. (cc)	999 / 1052	999	1299 / 1395 / 1429

Piston Kit Part No.	Piston size (mm)	Over size (mm)	Ring Set Part No.	Piston Kit Part No.	Piston size (mm)	Over size (mm)	Ring Set Part No.	Piston Kit Part No.	Piston size (mm)	Over size (mm)	Ring Set Part No.
K8790DA-4	74.46	Std.	OEM*	K8794DA-4	74.46	Std.	OEM*	K8730DA-4	80.95	Std.	810XDS
K8790D200-4	76.46	+2.00	OEM*					K8730D300-4	83.95	+3.00	840XDS
								K8730D400-4	84.95	+4.00	850XDS

	set includes		
Clip Part No.	CW15	CW15	CW20
Pin Part No.	WP011	WP011	WP029
Rings	see above / OEM parts not included	see above / OEM parts not included	see above
Price-Code	10	10	10
Stroke	57.30	57.30	63.00
Wössner/ OEM Comp. ratio	14.0:1 12.8:1	10.0:1 12.8:1	13.5:1 11.0:1
Dome Volume (CC)	-4.4 cm ³	-4.6 cm ³	-2.45 cm ³
Comp. Height (mm)	22.35	22.35	25.10

	extra parts		
Wössner Connecting rods	-	-	KPM002
Needle bearing	-	-	-
Main bearing	-	-	-

Suzuki® - 4 stroke



Alle Angaben zum Verdichtungsverhältnis, Domvolumen und Kolbengewicht beziehen sich nur auf unser Standardmaß DA.

All information on compression ratio, dome volume and piston weight is valid for our standard size DA only.

Model	Hayabusa Turbo	Hayabusa HC / 3. Ring	Hayabusa Turbo
Years	99-07	08-current	08-current
Displ. (cc)	1299 / 1362	1340 / 1406 / 1440 / 1474	1340 / 1406

Piston Kit Part No.	Piston size (mm)	Over size (mm)	Ring Set Part No.	Piston Kit Part No.	Piston size (mm)	Over size (mm)	Ring Set Part No.	Piston Kit Part No.	Piston size (mm)	Over size (mm)	Ring Set Part No.
K8734DA-4	80.93	Std.	810XDS	K8733DA-4	80.95	Std.	810XDS	K8736DA-4	80.92	Std.	810XDS
K8734D200-4	82.93	+2.00	830XDS	K8733D200-4	82.95	+2.00	830XDS	K8736D200-4	82.92	+2.00	830XDS
				K8733D300-4	83.95	+3.00	840XDS				
				K8733D400-4	84.95	+4.00	850XDS				

	set includes		
Clip Part No.	CW20	CW18	CW18
Pin Part No.	WP065	WP054	WP064
Rings	see above	see above	see above
Price-Code	10	10	10
Stroke	63.00	65.00	65.00
Wössner/ OEM Comp. ratio	9.0:1 11.0:1	13.5:1 12.5:1	9.0:1 12.5:1
Dome Volume (CC)	-17.8 cm ³	-4.3 cm ³	-19.4 cm ³
Comp. Height (mm)	26.80	24.00	24.00

	extra parts		
Wössner Connecting rods	KPM002	KPM003	KPM003
Needle bearing	-	-	-
Main bearing	-	-	-

Yamaha® - 2 stroke



Alle Angaben zum Verdichtungsverhältnis, Domvolumen und Kolbengewicht beziehen sich nur auf unser Standardmaß DA.

All information on compression ratio, dome volume and piston weight is valid for our standard size DA only.

Model	350 R5
Years	73-75
Displ. (cc)	347

Piston Kit Part No.	Piston size (mm)	Over size (mm)	Ring Set Part No.
8221DA	63.93	Std.	RDB6400
8221D050	64.43	+0.50	RDB6450
8221D075	64.68	+0.75	RDB6475
8221D100	64.93	+1.00	RDB6500
8221D125	65.18	+1.25	RDB6525
8221D150	65.43	+1.50	RDB6550
8221D200	65.93	+2.00	RDB6600

set includes	
Clip Part No.	CW16
Pin Part No.	WP027
Rings	see above
Price-Code	8
Stroke	54.00
Comp. Height (mm)	36.00

extra parts	
Wössner Connecting rods	P2035
Needle bearing	N1017
Main bearing	-

Yamaha® - 4 stroke



Alle Angaben zum Verdichtungsverhältnis, Domvolumen und Kolbengewicht beziehen sich nur auf unser Standardmaß DA.

All information on compression ratio, dome volume and piston weight is valid for our standard size DA only.

Model	XS650	R1 / FZR / RX1	R1 - YZF1000
Years	74-81	99-03 / 01-05	04-06
Displ. (cc)	679 / 688	998 / 1024 / 1051	998 / 1023

Piston Kit Part No.	Piston size (mm)	Over size (mm)	Ring Set Part No.	Piston Kit Part No.	Piston size (mm)	Over size (mm)	Ring Set Part No.	Piston Kit Part No.	Piston size (mm)	Over size (mm)	Ring Set Part No.
K8818D150-2	76.44	+1.50	765XDS	K8840DA-4	73.95	Std.	740XDS	K8752DA-4	76.96	Std.	770XAS-2
K8818D200-2	76.94	+2.00	770XDS	K8840D100-4	74.95	+1.00	750XDS	K8752D100-4	77.96	+1.00	780XAS-2
				K8840D200-4	75.95	+2.00	760XDS				

set includes			
Clip Part No.	CW20	CW17	CW17
Pin Part No.	WP068	WP083	WP111
Rings	see above	see above	see above
Price-Code	9	10	10
Stroke	74.00	58.00	53.60
Wössner/ OEM Comp. ratio	8.4:1 8.4:1	10.2:1 11.8:1	13.5:1 12.5:1
Dome Volume (CC)	+23.4 cm ³	-2.6 cm ³	-4.7 cm ³
Comp. Height (mm)	29.00	22.80	22.80

extra parts			
Wössner Connecting rods	-	-	-
Needle bearing	-	-	-
Main bearing	-	-	-

Yamaha® - 4 stroke



Alle Angaben zum Verdichtungsverhältnis, Domvolumen und Kolbengewicht beziehen sich nur auf unser Standardmaß DA.

All information on compression ratio, dome volume and piston weight is valid for our standard size DA only.

Model	R1 - YZF1000	YZF1000 R1	FZR1000R EXUP
Years	07-08	09-current	89-96
Displ. (cc)	998	998	1042

Piston Kit Part No.	Piston size (mm)	Over size (mm)	Ring Set Part No.	Piston Kit Part No.	Piston size (mm)	Over size (mm)	Ring Set Part No.	Piston Kit Part No.	Piston size (mm)	Over size (mm)	Ring Set Part No.
K8753DA-4	76.96	Std.	RIK77.00D3	K8812DA-4	77.96	Std.	780XAS	K8529D150-4	76.93	+1.50	RIK77.00D3

	set includes		
Clip Part No.	CW17	CW17	CW19
Pin Part No.	WP111	WP083	WP028
Rings	see above	see above	see above
Price-Code	9	10	10
Stroke	53.60	52.20	56.00
Wössner/ OEM Comp. ratio	13.5:1 12.7:1	12.7:1 12.7:1	12.0:1 11.2:1
Dome Volume (CC)	-3.3 cm ³	-3.3 cm ³	+2.0 cm ³
Comp. Height (mm)	22.80	22.80	23.00

	extra parts		
Wössner Connecting rods	-	-	-
Needle bearing	-	-	-
Main bearing	-	-	-

Yamaha® - 4 stroke



Alle Angaben zum Verdichtungsverhältnis, Domvolumen und Kolbengewicht beziehen sich nur auf unser Standardmaß DA.

All information on compression ratio, dome volume and piston weight is valid for our standard size DA only.

Model	YZF R6	YZF R6
Years	01-05	06-11
Displ. (cc)	600 / 617 / 636	599 / 617 / 635

Piston Kit Part No.	Piston size (mm)	Over size (mm)	Ring Set Part No.	Piston Kit Part No.	Piston size (mm)	Over size (mm)	Ring Set Part No.
K8831DA-4	65.44	Std.	655XKS	K8830DA-4	66.94	Std.	670XKS
K8831D100-4	66.44	+1.00	665XKS	K8830D100-4	67.94	+1.00	680XKS
K8831D200-4	67.44	+2.00	675XKS	K8830D200-4	68.94	+2.00	690XKS

set includes		
Clip Part No.	CW16	CW15
Pin Part No.	WP036	WP011
Rings	see above	see above
Price-Code	10	10
Stroke	44.50	42.50
Wössner/ OEM Comp. ratio	12.4:1 12.4:1	13.0:1 13.0:1
Dome Volume (CC)	-0.1 cm ³	-2.0 cm ³
Comp. Height (mm)	21.20	21.20

extra parts		
Wössner Connecting rods	-	-
Needle bearing	-	-
Main bearing	-	-

GM® - 4 stroke



Alle Angaben zum Verdichtungsverhältnis, Domvolumen und Kolbengewicht beziehen sich nur auf unser Standardmaß DA.

All information on compression ratio, dome volume and piston weight is valid for our standard size DA only.

Model	Speedway
Years	all
Displ. (cc)	499

Piston Kit Part No.	Piston size (mm)	Over size (mm)	Ring Set Part No.
8811DA	89.92	Std.	900ADS-2
8811DC	89.94	+0.02	900ADS-2
8811DE	89.96	+0.04	900ADS-2
Kurzhub / Short stroke:			
8811D200A	91.92	+2.00	920ADS-2
8811D200C	91.94	+2.02	920ADS-2
8811D200E	91.96	+2.04	920ADS-2

set includes	
Clip Part No.	C1316x1.6
Pin Part No.	WP174
Rings	see above
Price-Code	25
Stroke	78.50
Wössner/ OEM Comp. ratio	-
Dome Volume (CC)	+5.6 cm ³
Comp. Height (mm)	22.00

extra parts	
Wössner Connecting rods	-
Needle bearing	-
Main bearing	-

Sie finden in unserem Sortiment neuentwickelte Kolben speziell für Bahnmotoren. Die Leidenschaft für den Bahnsport führte Eckart Wössner, der lange in diesem Sport aktiv war, dazu Kolben speziell für diese Motoren zu entwickeln. Jeder am Bahnsport Interessierte weiß, dass diese Kolben die am stärksten belasteten Kolben im Rennsport sind. Um dieser hohen Belastung von bis zu 14000 Umdrehung am Start standhalten zu können, wurden spezielle Rohteile mit einer besonderen Wärmebehandlung entwickelt und produziert. Diese Neuentwicklung soll Fahrer und Sport weiter voranbringen. Die neuentwickelten Wössner Kolben werden unter anderem in den Speedwaymotoren von Joonas Kylmäkorpi und Richard Speiser verbaut – mit hervorragenden Ergebnissen. Auch Marcel Gerhard und Joachim Kugelmann setzten auf die neuen Wössner Kolben in ihren extrem getunten Motoren. Die neuen Schmiedekolben liefern die nötige Power.

You can find the newly developed pistons especially for speedway engines as part of our range of products. The passion for speedway races has lead Eckart Wössner, who himself was engaged in this sport for a long time, to develop pistons especially for these engines. Everyone interested in speedway knows that these pistons are the most loaded pistons in racing. To be able to withstand this high pressure of up to 14000 rotations at the start, a special forging with a specific heat treatment have been developed and produced. This new development should bring the riders and the sport a step further. The newly developed Wössner pistons are getting installed among others in the speedway engines of Joonas Kylmäkorpi and Richard Speiser – with excellent results. Marcel Gerhard and Joachim Kugelmann count on the new Wössner pistons for there extremely good tuned engines too. The new forged pistons provide the necessary power.

Joonas Kylmäkorpi – Langbahnmeister 2010/11/12/13
Long Track Champion 2010/11/12/13

Photo: Wolfgang Radzuzweit



Pleuel • Conrods - 2 stroke

Alle Sets beinhalten Bolzen, Nadellager, Hauptlager und Unterlagsscheiben
 All sets includ crankshaft pin, needle bearing, main bearing and washer



	PART No	Fits Modell	Year	Price code
APRILIA	P2051	RS, AF1 125	88-89	P3
GAS GAS	P2021	MC250	97-current	P4
	P2021	EC250	97-current	P4
HONDA	P2003	CR80	86-02	P2
	P2003	CR85	03-07	P2
	P2040	CR125	83-84	P3
	P2041	CR125	85-87	P3
	P2009	CR125	88-07	P3
	P2021	CR250	78-01	P4
	P2020	CR250	02-07	P4
	P2021	ATC250	85-86	P4
	P2042	ATC250	87-89	P4
	P2021	TRX250	86	P4
	P2042	TRX250	87-89	P4
	P2044	CR500	87-01	P4
HUSABERG	P2012	TE125	12-13	P3
	P2023	TE250	11-13	P4
	P2023	TE300	11-current	P4
HVA	P2060	CR WR/WRE/ SM/SMS 125	97-13	P3
	P2060	CR150	11	P3
	P2057	CR WR250	99-13	P4
	P2023	TC300	14	P4
KAWASAKI	P2001	KX60	83-03	P1
	P2001	KX65	00-current	P1
	P2036	KX80	82-97	P2
	P2005	KX80	98-00	P2
	P2036	KDX80	82-88	P2
	P2005	KX85	01-current	P2
	P2036	KX100	95-97	P2
	P2005	KX100	98-13	P2
	P2037	KX125	78-87	P3

	PART No	Fits Modell	Year	Price code
KAWASAKI	P2033	KX125	88-91	P3
	P2037	KX125	92-93	P3
	P2034	KX125	98-02	P3
	P2010	KX125	03-08	P3
	P2037	KDX200	86-87	P3
	P2033	KDX200	89-06	P4
	P2033	KDX220	97-05	P4
	P2022	KX250	78-08	P4
	P2022	KDX250	91-94	P4
	P2039	KX500	85-04	P4
KTM	P2053	SX50	01-current	P1
	P2054	SX60	97-02	P1
	P2054	SX65	00-02	P1
	P2002	SX65	03-08	P1
	P2055	SX65	09-current	P1
	P2055	XC65	09	P1
	P2006	SX85	03-12	P2
	P2065	SX85	13-current	P2
	P2006	SX105	04-11	P2
	P2056	SX125	89-97	P3
	P2011	SX125	98-06	P3
	P2012	SX125	07-current	P3
	P2012	SXS125	08	P3
	P2056	EXC125	89-97	P3
	P2011	EXC125	98-06	P3
	P2012	EXC125	07-current	P3
	P2012	SX144	07-08	P3
	P2012	SX150	09-current	P3
	P2031	XC200	98-10	P4
P2031	XC-W200	98-current	P4	
P2031	EXC200	98-current	P4	

Pleuel • Conrods - 2 stroke

Alle Sets beinhalten Bolzen, Nadellager, Hauptlager und Unterlagsscheiben

All sets includ crankshaft pin, needle bearing, main bearing and washer



	PART No	Fits Modell	Year	Price code
KTM	P2031	SX200	03-05	P4
	P2058	SX250	00-02	P4
	P2024	EXC250	90-99	P4
	P2058	EXC250	00-03	P4
	P2023	EXC250	04-current	P4
	P2023	SX250	04-current	P4
	P2024	EXC300	90-03	P4
	P2024	GS300	91-94	P4
	P2024	MX300	91-94	P4
	P2024	GS300	95	P4
	P2024	MX300	95	P4
	P2023	EXC300	04-current	P4
	P2023	MXC300	04-08	P4
	SUZUKI	P2001	RM60	03
P2001		RM65	03-05	P1
P2059		RM80	86-89	P2
P2007		RM85	02-current	P2
P2005		RM100	03	P2
P2040		RM125	84-86	P3
P2015		RM125	87-96	P3
P2014		RM125	97-98	P3

	PART No	Fits Modell	Year	Price code
SUZUKI	P2013	RM125	99-03	P3
	P2016	RM125	04-07	P3
	P2027	RM250	89-95	P4
	P2026	RM250	96-02	P4
	P2025	RM250	03-08	P4
	P2027	RMX 250	89-00	P4
	YAMAHA	P2008	YZ80	93-01
P2008		YZ85	02-current	P2
P2047		YZ125	86-96	P3
P2019		YZ125	97-00	P3
P2017		YZ125	01-04	P3
P2018		YZ125	05-current	P3
P2050		DT125R / TZR125	all	P3
P2030		YFS200 Blaster	88-06	P4
P2048		YZ250	83-89	P4
P2029		YZ250	90-98	P4
P2028		YZ250	99-current	P4
P2035	RD, YFZ350 Banshee	87-06	P4	
P2049	YZF350 Banshee stroker rod	87-06	P4	

Pleuel • Conrods - 4 stroke

Alle Sets beinhalten Bolzen, Nadellager, Hauptlager und Unterlagsscheiben
 All sets includ crankshaft pin, needle bearing, main bearing and washer

*inkl. Lagerschalen

*incl. bearing shells

	PART No	Fits Modell	Year	Price code
GAS GAS	P4005	EC250F	10-current	P5
HONDA	P4024	CRF150	07-current	P3
	P4053	CRF230	03-current	P5
	P4001	CRF250R	04-current	P5
	P4001	CRF250X	04-current	P5
	P4025	XR250	86-04	P5
	P4021	TRX400EX	99-08	P6
	P4021	TRX400X	09-13	P6
	P4033	XR400R	96-04	P6
	P4022	TRX420FE	07-11	P6
	P4023	TRX450R	06-current	P6
	P4023	TRX450ER (ATV)	06-13	P6
	P4023	CRF450X	05-13	P6
	P4026	CRF450R	02-08	P6
	P4027	CRF450R	09-current	P6
	P4028	XK600	83-87	P7
	P4028	XR600	85-01	P7
	P4028	XL600R	83-87	P7
	P4056	XR650R	00-07	P7
HVA	P4049	TC250	06-09	P5
	P4050	TC250	10-current	P5
	P4049	TC/TE 310	09-10	P5
	P4054	TC510	06-09	P7
	P4054	TE / TXC / SMR 510	08-10	P7
	P4042	TC/TE570	99-10	P7
	P4041	TE610	91-98	P7
	P4042	TE610	99-10	P7
KAWASAKI	P4002	KX250F	04-09	P5
	P4039	KX250F 2x0,5mm Washers	10-current	P5

	PART No	Fits Modell	Year	Price code
KAWASAKI	P4009	KLX400R	03-04	P6
	P4009	KFX400	03-06	P6
	P4010	KX450F	07-08	P6
	P4019	KFX450R	08-current	P6
	P4020	KX450F	09-current	P6
KTM	P4003	SX250F	05-12	P5
	P4059	SX250F	13-current	P6.1
	P4048	EXC250 Racing	01-06	P5
	P4003	EXC250 Racing	06-12	P5
	P4040	SX-F350	10-12	P5
	P4061	SX-F350	13-current	P6.1
	P4014	LC4	03-07	P7
	P4048	SX400	00-02	P5
	P4048	EXC400	04-06	P5
	P4015	SX450	03-06	P6
	P4015	SX-F450	05-06	P6
	P4015	SMR	04-07	P6
	P4048	EXC450 Racing	03-07	P5
	P4016	EXC450R	08-11	P6
	P4057	EXC450	12-current	P6.1
	P4017	SX-F450	07-12	P6
	P4058	SX-F450	13-current	P6.1
	P4051	EXC500	12-13	P7
	P4055	SX-F505	08	P7
	P4055	505XCF / SX ATV	09	P7
	P4048	EXC520	00-02	P5
	P4048	SX520	00-02	P5
	P4048	EXC525 Racing	03-07	P5
	P4048	SX525 Racing	03-07	P5
	P4047	EXC530R	08-11	P6

Pleuel • Conrods - 4 stroke

Alle Sets beinhalten Bolzen, Nadellager, Hauptlager und Unterlagsscheiben
 All sets includ crankshaft pin, needle bearing, main bearing and washer



	PART No	Fits Modell	Year	Price code
KTM	P4014	620/625/640LC4 SX/Duke/ Supermoto	03-07	P7
	P4014	660SMC	03-07	P7
SUZUKI	P4034	LT230	87-94	P5
	P4002	RMZ250	04-06	P5
	P4004	RMZ250	07-current	P5
	P4009	DR-Z400E/S	00-08	P6
	P4009	LTZ400	03-09	P6
	P4011	LTR450	06-09	P6
	P4012	RMZ450	05-07	P6
	P4013	RMZ450	08-current	P6
	P4045	King Quad 700	05-13	P7
	YAMAHA	P4006	YZF250	01-02
P4005		YZF250	03-13	P5
P4063		YZF250	14	TBA
P4005		WR250F	03-13	P5

	PART No	Fits Modell	Year	Price code
YAMAHA	P4036	YFM350 Warrior	87-04	P5
	P4036	YFM350 Raptor	04-13	P5
	P4007	YZF450	03-05	P6
	P4008	YZF450	06-09	P6
	P4007	WRF450	03-06	P6
	P4029	YFZ450	04-05	P6
	P4030	YFZ450	06-current	P6
	P4032	YZF450	10-current	P6
	P4037	YFM660 Raptor	01	P7
	P4038	YFM660 Raptor	02-05	P7
	P4038	YFM660 Grizzly	02-08	P7
	P4038	YFM660 Rhino	04-07	P7
	P4031	YFM700 Raptor	06-09	P7
	Bombardier	P5201	Mach Z1000	05-07
Arctic Cat	P5202	F-1000 F7-F8-M8	07-09	-
	P5203	Thundercat 1000 F7-F8-M8	00-current	-



Nadellager • Needle Bearings



* Größen in Millimeter, wenn nichts anderes explizit vermerkt ist
Dimensions in millimeters if nothing else is explicitly written

	PART No	Fits Modell	Year	Dimensions*			Price code
				Int.	Ext.	Length	
APRILLIA	N1010	RS125	all	15.00	19.00	19.50	N1
	N1012	RS250	all	16.00	20.00	17.30	N1
CAGIVA	N1014	Mito125	all	16.00	20.00	22.50	N1
	N1014	125 W8	all	16.00	20.00	22.50	N1
GASGAS	N1011	EC125	00-11	15.00	20.00	17.80	N1
	N1020	EC200	all	18.00	22.00	19.80	N1
	N1021	EC250	97-11	18.00	22.00	21.80	N1
	N1021	EC300	00-11	18.00	22.00	21.80	N1
HONDA	N1004	TC80	70 - 78	12.00	17.00	14.20	N1
	N1004	CR80	80-85	12.00	17.00	42.20	N1
	N1006	CR80	86-02	14.00	18.00	16.50	N1
	N1006	CR80R	86-02	14.00	18.00	16.50	N1
	N1004	MTX80	alle	12.00	17.00	14.20	N1
	N1006	CR85R	03-06	14.00	18.00	16.50	N1
	N1006	CR85	03-07	14.00	18.00	16.50	N1
	N1008	MT125	73-78	14.00	18.00	19.80	N1
	N1047	RS125	95-04	15.00	19.00	17.30	N1
	N1008	CR125	73-84	14.00	18.00	19.80	N1
	N1007	CR125	85-86	14.00	18.00	17.20	N1
	N1008	CR125M	73-78	14.00	18.00	19.80	N1
	N1008	CR125R	79-84	14.00	18.00	19.80	N1
	N1008	CR125	87	14.00	18.00	19.80	N1
	N1008	CR125R	87	14.00	18.00	19.80	N1
	N1047	CR125	88-07	15.00	19.00	17.30	N1
	N1047	CR125R	88-07	15.00	19.00	17.30	N1
	N1047	CR150	11	15.00	19.00	17.30	N1
	N1021	CR250	73-07	18.00	22.00	21.80	N1
	N1020	CR250R	78-07	18.00	22.00	19.80	N1
	N1020	CR250M	73-77	18.00	22.00	19.80	N1
	N1030	CR480R	82-83	20.00	25.00	27.80	N1
	N1030	CR500R	84-01	20.00	25.00	27.80	N1
N1021	ARC250	81-86	18.00	22.00	21.80	N1	

Nadellager • Needle Bearings



* Größen in Millimeter, wenn nichts anderes explizit vermerkt ist
Dimensions in millimeters if nothing else is explicitly written

	PART No	Fits Modell	Year	Dimensions*			Price code
				Int.	Ext.	Length	
HONDA	N1020	ATC250R	81-84	18.00	22.00	19.80	N1
	N1020	ATC250R	85-86	18.00	22.00	19.80	N1
	N1020	TRX250R Four Trax	86-89	18.00	22.00	19.80	N1
	N1021	TRX250R	87-89	18.00	22.00	21.80	N1
	N1030	CR500	84-01	20.00	25.00	27.80	N1
	N1013	NSR 125	all	16.00	20.00	19.50	N1
HUSABERG	N1010	TE125	12	15.00	19.00	19.50	N1
	N1020	TE250	11-12	18.00	22.00	19.80	N1
	N1020	TE300	11-12	18.00	22.00	19.80	N1
HUSQVARNA	N1014	CR/WR125	92-96	16.00	20.00	22.50	N1
	N1047	CR/WR/WER/SM/SMS125	97-12	15.00	19.00	17.30	N1
	N1021	CR/WR250	74-12	18.00	22.00	21.80	N1
	N1021	CR/WR300	08-12	18.00	22.00	21.80	N1
	N1049	CR/WR360	all	18.00	22.00	23.50	N1
KAWASAKI	N1036	KDX50	03-06	12.00	16.00	15.80	N1
	N1036	KFX50	03-08	12.00	16.00	15.80	N1
	N1036	KX60	83-03	12.00	16.00	15.80	N1
	N1036	KX65	00-13	12.00	16.00	15.80	N1
	N1007	KX80	79-00	14.00	18.00	17.20	N1
	N1036	KFX80	03-06	12.00	16.00	15.80	N1
	N1007	KX85	01-13	14.00	18.00	17.20	N1
	N1007	KX100	95-13	14.00	18.00	17.20	N1
	N1003	KX125	78-81	16.00	20.00	19.80	N1
	N1016	KX125	82-93	16.00	21.00	19.50	N1
	N1016	KX125	81-93	16.00	21.00	19.50	N1
	N1047	KX125	94-97	15.00	19.00	17.30	N1
	N1010	KX125	94-08	15.00	19.00	19.50	N1
	N1003	KDX125	80	16.00	20.00	19.80	N1
	N1016	KMX125	all	16.00	21.00	19.50	N1
	N1003	KX 175	80-81	16.00	20.00	19.80	N1
	N1016	KDX200	86-09	16.00	21.00	15.50	N1

Nadellager • Needle Bearings



* Größen in Millimeter, wenn nichts anderes explizit vermerkt ist
Dimensions in millimeters if nothing else is explicitly written

	PART No	Fits Modell	Year	Dimensions*			Price code
				Int.	Ext.	Length	
KAWASAKI	N1016	KDX220	97-04	16.00	21.00	19.50	N1
	N1049	KX250	78-07	18.00	22.00	23.50	N1
	N1049	KDX250	80-84	18.00	22.00	23.50	N1
	N1052	KX500	88-04	19.00	24.00	24.80	N1
	N1014	500H1 Mach III	-	16.00	20.00	22.50	N1
	N1017	750MachIV 750 H2	73-75	16.00	21.00	22.50	N1
KTM	N1001	SX50	01-08	12.00	15.00	14.50	N1
	N1001	SX50	09-13	12.00	15.00	14.50	N1
	N1037	SX60	97-99	12.00	15.00	16.30	N1
	N1037	SX65	99-13	12.00	15.00	16.30	N1
	N1037	Mini Adventurer	02-06	12.00	15.00	16.30	N1
	N1006	SX85	03-13	14.00	18.00	16.50	N1
	N1006	SX105	10-13	14.00	18.00	16.50	N1
	N1010	SX125	87-93	15.00	19.00	19.50	N1
	N1010	SX125	98-13	15.00	19.00	19.50	N1
	N1010	SX144	07-08	15.00	19.00	19.50	N1
	N1010	SX150	09-11	15.00	19.00	19.50	N1
	N1013	SX200	98-13	16.00	20.00	19.50	N1
	N1020	SX/EXC250	90-99	18.00	22.00	19.80	N1
	N1020	SX/EXC250	00-13	18.00	22.00	19.80	N1
	N1020	SX/EXC300	90-09	18.00	22.00	19.80	N1
	N1020	SX/EXC360	96-97	18.00	22.00	19.80	N1
	N1020	SX/EXC380	98-02	18.00	22.00	19.80	N1
	N1052	KX500	88-04	19.00	24.00	24.80	N1
POLARIS	N1022	Polaris Trail Boss & Scrambler & Trail Blazer 250	all	18.00	23.00	21.80	N1
	N1022	ATV300	94-00	18.00	23.00	21.80	N1
	N1028	Liberty Motor 700	-	20.00	25.00	22.80	N1
SUZUKI	N1002	RM60	03	12.00	16.00	14.80	N1
	N1002	RM65	03-06	12.00	16.00	14.80	N1
	N1036	RM80	77-81	12.00	16.00	15.80	N1
	N1006	RM80	93-12	14.00	18.00	16.50	N1

Nadellager • Needle Bearings



* Größen in Millimeter, wenn nichts anderes explizit vermerkt ist
Dimensions in millimeters if nothing else is explicitly written

	PART No	Fits Modell	Year	Dimensions*			Price code
				Int.	Ext.	Length	
SUZUKI	N1006	RM85	02-13	14.00	18.00	16.50	N1
	N1008	RM100	76	14.00	18.00	19.80	N1
	N1008	RM100	79-81	14.00	18.00	19.80	N1
	N1008	RM100	03-04	14.00	18.00	19.80	N1
	N1008	RM125	77-87	14.00	18.00	19.80	N1
	N1010	RM125	88-11	15.00	19.00	19.50	N1
	N1016	PE175	80-84	16.00	21.00	19.50	N1
	N1022	RM250	77-11	18.00	23.00	21.80	N1
	N1022	RMX250	89-98	18.00	23.00	21.80	N1
TM	N1010	TM125	all	15.00	19.00	19.50	N1
YAMAHA	N1005	PW50	92-04	10.00	14.00	12.50	N1
	N1037	DT50	all	12.00	15.00	16.30	N1
	N1037	PW80/BW80	83-04	12.00	15.00	16.30	N1
	N1002	KZ80	81	12.00	16.00	14.80	N1
	N1037	YZ80	74-80	12.00	15.00	16.30	N1
	N1002	YZ80	81	12.00	16.00	14.80	N1
	N1004	YZ80	82-92	12.00	17.00	14.20	N1
	N1006	YZ80	93-01	14.00	18.00	16.50	N1
	N1006	YZ85	02-current	14.00	18.00	16.50	N1
	N1006	YZ100	77-81	14.00	18.00	16.50	N1
	N1013	DT125	73-current	16.00	20.00	19.50	N1
	N1016	DTR125 & E	88-96	16.00	21.00	19.50	N1
	N1013	YZ125	77-96	16.00	20.00	19.50	N1
	N1011	YZ125	97-00	15.00	20.00	17.80	N1
	N1047	YZ125	01-current	15.00	19.00	17.30	N1
	N1015	Yam. DT-R125 all	all	16.00	21.00	17.50	N1
	N1016	Yam. TDR125 all	all	16.00	21.00	19.50	N1
	N1016	Yam. TZR125		16.00	21.00	19.50	N1
	N1014	YZ175	77-81	16.00	20.00	22.50	N1
	N1014	IT175	77-81	16.00	20.00	22.50	N1
N1017	IT200	84-86	16.00	21.00	22.50	N1	

Nadellager • Needle Bearings



* Größen in Millimeter, wenn nichts anderes explizit vermerkt ist
Dimensions in millimeters if nothing else is explicitly written

	PART No	Fits Modell	Year	Dimensions*			Price code
				Int.	Ext.	Length	
YAMAHA	N1021	IT250	76-82	18.00	22.00	21.80	N1
	N1022	IT250	83	18.00	23.00	21.80	N1
	N1021	YZ250	76-82	18.00	22.00	21.80	N1
	N1022	YZ250	83-96	18.00	23.00	21.80	N1
	N1022	WR250	88-98	18.00	23.00	21.80	N1
	N1021	DT250	74-79	18.00	22.00	21.80	N1
	N1021	MX250	73-75	18.00	22.00	21.80	N1
	N1022	YZ250	88-98	18.00	23.00	21.80	N1
	N1021	YZ250	99-current	18.00	22.00	21.80	N1
	N1022	WR250	83-98	18.00	23.00	21.80	N1
	N1014	RD350	73-75	16.00	20.00	22.50	N1
	N1017	RD350	all	16.00	21.00	22.50	N1
	N1014	RD400	76-79	16.00	20.00	22.50	N1
	N1017	YFS200 Blaster	until 06	16.00	21.00	22.50	N1
	N1017	YZF 350 Banshee	until 06	16.00	21.00	22.50	N1
	N1021	YZ400	77-79	18.00	22.00	21.80	N1
	N1021	IT400	77-78	18.00	22.00	21.80	N1
	N1021	IT425	80	18.00	22.00	21.80	N1
	N1022	YZ465	80-81	18.00	23.00	21.80	N1
	N1022	IT465	80-82	18.00	23.00	21.80	N1
	N1022	IT490	82-84	18.00	23.00	21.80	N1
	N1022	YZ490	82-90	18.00	23.00	21.80	N1
	N1022	WR500	91-95	18.00	23.00	21.80	N1

Nadellager • Needle Bearings



* Größen in Millimeter, wenn nichts anderes explizit vermerkt ist
Dimensions in millimeters if nothing else is explicitly written

Dimensions*			PART no	Price code
Int.	Ext.	Lenght		
10.00	14.00	12.50	N1005	N1
12.00	15.00	14.50	N1001	N1
12.00	15.00	16.30	N1037	N1
12.00	16.00	14.80	N1002	N1
12.00	16.00	15.80	N1036	N1
12.00	17.00	14.20	N1004	N1
14.00	18.00	16.50	N1006	N1
14.00	18.00	17.20	N1007	N1
14.00	18.00	19.80	N1008	N1
15.00	19.00	16.80	N1009	N1
15.00	19.00	17.30	N1047	N1
15.00	19.00	19.50	N1010	N1
15.00	20.00	17.80	N1011	N1
16.00	20.00	17.30	N1012	N1
16.00	20.00	19.50	N1013	N1
16.00	20.00	19.80	N1003	N1
16.00	20.00	22.50	N1014	N1
16.00	21.00	17.50	N1015	N1
16.00	21.00	19.50	N1016	N1
16.00	21.00	22.50	N1017	N1
18.00	22.00	19.80	N1020	N1

Dimensions*			PART no	Price code
Int.	Ext.	Lenght		
18.00	22.00	21.80	N1021	N1
18.00	22.00	22.80	N1048	N1
18.00	22.00	23.50	N1049	N1
18.00	23.00	21.80	N1022	N1
18.00	23.00	23.80	N1024	N1
19.00	24.00	24.80	N1052	N1
20.00	24.00	22.50	N1025	N1
20.00	25.00	21.80	N1027	N1
20.00	25.00	22.80	N1028	N1
20.00	25.00	24.80	N1029	N1
20.00	25.00	27.80	N1030	N1
20.00	26.00	23.80	N1031	N1
21.00	25.00	23.80	N1032	N1
22.00	27.00	22.80	N1033	N1
22.00	27.00	24.80	N1034	N1
22.00	28.00	15.60	N1050	N1
24.00	29.00	24.80	N1075	N1
24.00	30.00	15.80	N1051	N1
24.00	30.00	16.80	N1053	N1
30.00	40.00	22.80	N4002	-
40.00	50.00	22.80	N4001	-

Kurbelwellenlager • Main Bearings



* Größen in Millimeter, wenn nichts anderes explizit vermerkt ist
Dimensions in millimeters if nothing else is explicitly written

	PART no	Fits modell	Year	Pieces	Dimensions*			Price code
					Int.	Ext.	Length	
GasGas	MB6322C4	MC125	00-11	2	22.00	56.00	16.00	M12
	MB6322C4	EC125	00-11	2	22.00	56.00	16.00	M12
HONDA	MB6304C3	XR50R	00-03	2	20.00	52.00	15.00	M5
	MB6304C3	CRF50	04-09	2	20.00	52.00	15.00	M5
	MB6304C3	XR70R	00-03	2	20.00	52.00	15.00	M5
	MB6304C3	Honda CRF70 '97-08	97-08	2	20.00	52.00	15.00	M5
	MB6322C4	CR80	86-91	2	22.00	56.00	16.00	M12
	MB6322C4	CR85	03-07	2	22.00	56.00	16.00	M12
	MB6304C3	CR125	79	2	20.00	52.00	15.00	M5
	MB6322C4	CR125	80-07	2	22.00	56.00	16.00	M12
	MB6328C3	CR250R	78-96	2	28.00	68.00	18.00	M17
	MB6328C3	ATAC250	84-85	2	28.00	68.00	18.00	M17
	MB6328C3	CR250R	97-99	2	28.00	68.00	18.00	M17
	MB6328C4	CR250R	00-07	2	28.00	68.00	18.00	M17
	MB6328C3	ATC250R	87-90	2	28.00	68.00	18.00	M17
	MB6328C3	CRF250	04-13	2	28.00	68.00	18.00	M17
	MB6328C3	CRF250X	04-09	2	28.00	68.00	18.00	M17
	MB6328C3	CRF450R	02-13	2	28.00	68.00	18.00	M17
	MB6328C3	CRF450R Big Bore	02-08	2	28.00	68.00	18.00	M17
	MB6328C4	CR500	84-89	2	28.00	68.00	18.00	M17
	MB6307C3	XLR500	79-84	2	35.00	80.00	21.00	M21
	MB6307C3	XLS500	79-84	2	35.00	80.00	21.00	M21
MB6307C3	XR500R	79-82	2	35.00	80.00	21.00	M21	
MB6308C3	NX650 Dominator	88-01	2	40.00	62.00	12.00	M23	
MB6308C3	XR650C	93-12	2	40.00	62.00	12.00	M23	
MB6308C3	XR650L	96-07	2	40.00	62.00	12.00	M23	
MB6308C3	XR650R	00-07	2	40.00	62.00	12.00	M23	
HUSABERG	MBNJ206C3	FC450	09-12	2	30.00	62.00	16.00	-
	MBNJ206C3	FE450	09-12	2	30.00	62.00	16.00	-
	MBNJ206C3	FX450	10-12	2	30.00	62.00	16.00	-
HUSQVARNA	MB6322C4	CR125	97-13	2	22.00	56.00	16.00	M12
	MB6322C4	WR125	97-13	2	22.00	56.00	16.00	M12
	MB6322C4	SM125	97-13	2	22.00	56.00	16.00	M12
	MB6322C4	SMS125	97-13	2	22.00	56.00	16.00	M12

Kurbelwellenlager • Main Bearings



* Größen in Millimeter, wenn nichts anderes explizit vermerkt ist
Dimensions in millimeters if nothing else is explicitly written

	PART no	Fits modell	Year	Pieces	Dimensions*			Price code	
					Int.	Ext.	Length		
HUSQVARNA	MB6322C4	WRE125	97-13	2	22.00	56.00	16.00	M12	
	MB6322C4	CR150	11	2	22.00	56.00	16.00	M12	
	MB6305C3	CR250	98-05	2	25.00	62.00	17.00	M10	
	MB6305C3	WR250	98-13	2	25.00	62.00	17.00	M10	
	MB6305C3	WR300	09-13	2	25.00	62.00	17.00	M10	
KAWASAKI	MB6304C3	KX60	83-03	2	20.00	52.00	15.00	M5	
	MB6304C3	KX65	00-13	2	20.00	52.00	15.00	M5	
	MB6304C3	KX80	82-85	2	20.00	52.00	15.00	M5	
	MB6304C3	KX80 U.S. Bore	88-00	2	20.00	52.00	15.00	M5	
	MB6304C3	KX80 Int. Bore	88-00	2	20.00	52.00	15.00	M5	
	MB6204C3	KFX80	03-06	2	20.00	47.00	14.00	M6	
	MB6304C3	KX85	01-13	2	20.00	52.00	15.00	M5	
	MB6304C3	KX100	95-13	2	20.00	52.00	15.00	M5	
	MB6304C3	KX125	78-81	2	20.00	52.00	15.00	M5	
	MB6304C3	KX125	82-84	Right 1x	20.00	52.00	15.00	M5	
	MB6322C3	KX125	85-87	Right 1x	25.00	56.00	16.00	M12	
	MB6305C3	KX125	82-87	Left 1x	25.00	62.00	17.00	M10	
	MB6322C4	KX125	88-08	2	25.00	56.00	16.00	M12	
	MB6305JR2	KDX220R	98-05	2	25.00	62.00	16.00	-	
	MB6305C3	KDX250	80-82	2	25.00	62.00	17.00	M10	
	MB6305C3	KX250	78-86	2	25.00	62.00	17.00	M10	
	MB6328C3	KX250	87-01	2	28.00	68.00	18.00	M17	
	MB6328C3	KDX250	90-94	2	28.00	68.00	18.00	M17	
	MB6328C4	KX250	02-08	2	28.00	68.00	18.00	M17	
	MB6206RSI	KX250F	04-13	2	30.00	62.00	16.00	M19	
	MB6306C3	KX500	88-04	2	30.00	72.00	19.00	M16	
	KTM	MB6203C3	SX50	01-13	2	17.00	40.00	21.00	M1
		MB6304C3	SX60	97-99	2	20.00	52.00	15.00	M5
MB6304C3		SX65	00-13	2	20.00	52.00	15.00	M5	
MB6304C3		SX85	03-13	2	20.00	52.00	15.00	M5	
MB6304C3		SX105	03-08	2	20.00	52.00	15.00	M5	
MB63052RS		EXC125	01-13	Right 1x	25.00	62.00	17.00	M15	
MB63052RS		SX125	01-13	Right 1x	25.00	62.00	17.00	M15	
MB63052RS		SX150	09-12	Right 1x	25.00	62.00	17.00	M15	
MB63052RS		EXC200	98-13	Right 1x	25.00	62.00	17.00	M15	
MBNJ206		EXC125	01-13	Left 1x	30.00	62.00	16.00	M29	

Kurbelwellenlager • Main Bearings



* Größen in Millimeter, wenn nichts anderes explizit vermerkt ist
Dimensions in millimeters if nothing else is explicitly written

	PART no	Fits modell	Year	Pieces	Dimensions*			Price code
					Int.	Ext.	Length	
KTM	MBNJ206	SX125	01-13	Left 1x	30.00	62.00	16.00	M29
	MBNJ206	SX150	09-12	Left 1x	30.00	62.00	16.00	M29
	MBNJ206	EXC200	98-13	Left 1x	30.00	62.00	16.00	M29
	MBNJ206	SX-EX520	00-02	2	30.00	62.00	16.00	M29
	MBNJ206	SX-EX525	03-07	2	30.00	62.00	16.00	M29
	MBNJ206	SMR650	06-07	2	30.00	62.00	16.00	M29
	MBNJ206C3	MXC250	00-05	2	30.00	62.00	16.00	-
	MBNJ206C3	EXC250	00-05	2	30.00	62.00	16.00	-
	MBNJ206C3	SX250	03-13	2	30.00	62.00	16.00	-
	MBNJ206C3	EXC250	06-13	2	30.00	62.00	16.00	-
	MBNJ206C3	SX-F250	06-12	2	30.00	62.00	16.00	-
	MBNJ206C3	EXC450	03-07	2	30.00	62.00	16.00	-
	MBNJ207RC3	400LC4	97-12	Left 1x	35.00	73.00	17.00	M32
	MBNJ306C3	400LC4	98-01	Right 1x	30.00	72.00	19.00	M28
SUZUKI	MB6204C3	RM80	89-90	Left 1x	20.00	47.00	14.00	M6
	MB6304C3	RM80	89-90	Right 1x	20.00	52.00	15.00	M5
	MB6304C3	RM80 Int. Bore	91-01	2	20.00	52.00	15.00	M5
	MB6304C3	RM80 US Bore	91-01	2	20.00	52.00	15.00	M5
	MB6304C3	RM85	02-13	2	20.00	52.00	15.00	M5
	MB6304C3	RM100	03	2	20.00	52.00	15.00	M5
	MB6205C3	RM125	81-88	Left 1x	25.00	52.00	15.00	M7
	MB6322C3	RM125	81-88	Right 1x	25.00	56.00	16.00	M12
	MB6322C4	RM125	89-11	2	25.00	56.00	16.00	M12
	MB6206C3	RM250	82-88	Left 1x	30.00	62.00	16.00	M4
	MB6305C3	RM250	82-93	Right 1x	25.00	62.00	17.00	M10
	MB6305C3	RMX250	89-93	2	25.00	62.00	17.00	M10
	MB6328C3	RM250	94-04	2	28.00	68.00	18.00	M17
	MB6328C3	RXM250	94-04	2	28.00	68.00	18.00	M17
	MB6206RSI	RM-Z250	04-06	2	30.00	62.00	16.00	M19
	MB830046-14	RM-Z250	07-09	2	30.00	62.00	16.00	M30
	MB830046-20	RM-Z250	10-13	2	30.00	63.00	16.00	M27
	MB83C072C	RM-Z450	05-07	2	30.00	72.00	19.00	M24
	MB83C072C	RM-Z450	08-13	Right 1x	30.00	72.00	19.00	M24
	MB830053-4	RM-Z450	08-13	Left 1x	32.00	75.00	20.00	M31
	MB6232C3	LT250	88-92	Left 1x	32.00	62.00	17.00	M20
	MB6206C3	LT250	88-92	Right 1x	30.00	62.00	16.00	M4

Kurbelwellenlager • Main Bearings



* Größen in Millimeter, wenn nichts anderes explizit vermerkt ist
Dimensions in millimeters if nothing else is explicitly written

	PART no	Fits modell	Year	Pieces	Dimensions*			Price code
					Int.	Ext.	Length	
YAMAHA	MB6203C3	PW50	81-12	2	17.00	40.00	12.00	M1
	MB6205C3	PW80	until 06	2	25.00	52.00	15.00	M7
	MB6205C3	BW80	86-88 & 90	2	25.00	52.00	15.00	M7
	MB6204C3	YZ80	82-92	2	20.00	47.00	14.00	M6
	MB6204C3	YZ80 U.S. Bore	93-01	Left 1x	20.00	47.00	14.00	M6
	MB6304C3	YZ80 U.S. Bore	93-01	Right 1x	20.00	52.00	15.00	M5
	MB6204C3	YZ80 Int. Bore	93-01	Left 1x	20.00	52.00	15.00	M6
	MB6304C3	YZ80 Int. Bore	93-01	Right 1x	20.00	52.00	15.00	M5
	MB6204C3	YZ85	02-13	Left 1x	20.00	52.00	15.00	M6
	MB6304C3	YZ85	02-13	Right 1x	20.00	52.00	15.00	M5
	MB6205C3	YZ125	76-82	Left 1x	25.00	52.00	15.00	M7
	MB6304C3	YZ125	76-82	Right 1x	20.00	52.00	15.00	M5
	MB6205C3	YZ125	84-85	Left 1x	25.00	52.00	15.00	M7
	MB6304C3	YZ125	84-85	Right 1x	20.00	52.00	15.00	M5
	MB6322C4	YZ125	86-13	2	22.00	56.00	16.00	M12
	MB6206C3	YZ250	83-87	2	30.00	62.00	16.00	M4
	MB6328C3	YZ250	88-13	2	28.00	68.00	18.00	M17
	MB6328C3	WR250	88-99	2	28.00	68.00	18.00	M17
	MB83A915	YFS200 Blaster	88-06	Left 1x	25.00	55.00	15.00	M18
	MB830046-1	YZ250F	01-13	2	30.00	64.00	16.00	M30
	MB830046-1	WR250F	01-13	2	30.00	64.00	16.00	M30
	MB83C072C	YZ400F	98-99	2	30.00	72.00	19.00	M24
	MB83C072C	WR400F	98-99	2	30.00	72.00	19.00	M24
	MB83C072C	YZ426F	98-99	2	30.00	72.00	19.00	M24
	MB83C072C	WR426F	98-99	2	30.00	72.00	19.00	M24
	MB83C072C	YZ450F	03-09	2	30.00	72.00	19.00	M24
	MB83C072C	WR450F	03-09	2	30.00	72.00	19.00	M24
	MB83C072C	YFZ450	04-13	2	30.00	72.00	19.00	M24

Kurbelwellenlager • Main Bearings



* Größen in Millimeter, wenn nichts anderes explizit vermerkt ist
Dimensions in millimeters if nothing else is explicitly written

Dimensions*			PART no	Price code
Int.	Ext.	Lenght		
12.00	32.00	10.00	MB6201C3	M2
17.00	40.00	12.00	MB6203C3	M1
17.00	47.00	14.00	MB6303C3	M8
20.00	42.00	12.00	MB6004C3	M9
20.00	47.00	14.00	MB6204C3	M6
20.00	52.00	15.00	MB6304C3	M5
22.00	52.00	15.00	MB6304/22	M11
22.00	56.00	16.00	MB6322C4	M12
25.00	47.00	12.00	MB6005C3	M3
25.00	52.00	15.00	MB6205C3	M7
25.00	52.00	15.00	MB6205C4	M7
25.00	52.00	15.00	MBNJ205	M25
25.00	52.00	15.00	MBNJ205C3	M26
25.00	55.00	15.00	MB83A915	M18
25.00	56.00	16.00	MB6322C3	M12
25.00	62.00	16.00	MB6305RI	M22
25.00	62.00	17.00	MB63052RS	M15
25.00	62.00	17.00	MB6305C3	M10
28.00	58.00	16.00	MB6228C3	M14

Dimensions*			PART no	Price code
Int.	Ext.	Lenght		
28.00	68.00	18.00	MB6328C3	M17
28.00	68.00	18.00	MB6328C4	M17
30.00	55.00	9.00	MB16006C	M15
30.00	55.00	9.00	MB16006C3	M15
30.00	62.00	16.00	MB6206C3	M4
30.00	62.00	16.00	MB6206RSI	M19
30.00	62.00	16.00	MB830046-current	M30
30.00	62.00	16.00	MBNJ206	M29
30.00	63.00	16.00	MB830046-20	M27
30.00	64.00	16.00	MB830046-1	M30
30.00	72.00	19.00	MB6306C3	M16
30.00	72.00	19.00	MB83C072C	M24
30.00	72.00	19.00	MBNJ306C3	M28
32.00	65.00	17.00	MB6232C3	M20
32.00	75.00	20.00	MB830053-4	M31
35.00	72.00	17.00	MB6207C3	M13
35.00	72.00	17.00	MBNJ207RC3	M32
35.00	80.00	21.00	MB6307C3	M21
40.00	62.00	12.00	MB6308C3	M23

KOYO® nimmt den Rang als führender Hersteller von Lagern ein und konnte die ISO/TS 164949 Zertifizierung für die gesamte Lagerherstellung und den Verkaufsbereich erlangen. KOYO® hat sich bei den Autoherstellern und industriellen Herstellern weltweit durchgesetzt, bedingt durch ein ständig gleichbleibendes hohes Niveau an Produktqualität und Eigenschaften.

KOYO® Seiko (now JTEKT Corporation) rank as one of the world's leading manufacturer of bearings and automotiv steering systems. Through maintaining consistently high levels of product quality and performance, KOYO® has established itself with car manufacturers and industrial manufacturers around the world and has attained ISO/TS 16949 certification at all of our bearings manufacturer and sales facilities.

Ringe • Rings - 2 stroke



Alle Wössner Ringe können in Guss, sowie Nikasil® Zylindern eingesetzt werden.

All Woessner rings can be used in cast iron, Nikasil®, boron composite® and Electrofusion bores.

Achtung: Wössner 2-Takt-Ringe dürfen nicht in verchromten Bohrungen eingesetzt werden.

Caution: Wössner 2-stroke rings can not be used in chrome plated bores

Ring part No.	Fits bore dia. (mm)	Ring height (mm)	Ring width (mm)	Price code
RSB3950	39.50	1.00	1.65	16
RSB4300	43.00	1.00	1.85	
RSB4350	43.50	1.00	1.85	
RSB4400	44.00	1.00	1.85	
RSB4450	44.50	1.00	1.85	
RSB4500	45.00	1.00	1.85	
RSB4550	45.50	1.00	1.85	
RSB4600	46.00	1.00	1.85	
RSB4650	46.50	1.00	1.85	
RSB4700	47.00	1.00	1.85	
RSB4750	47.50	1.00	1.85	
RSB4800	48.00	1.00	2.05	
RSB4850	48.50	1.00	2.1	
RSB4900	49.00	1.00	2.05	
RSB4950	49.50	1.00	2.05	
RSB5000	50.00	1.00	2.15	
RSB5050	50.50	1.00	2.15	
RSB5100	51.00	1.00	2.15	
RSB5150	51.50	1.00	2.15	
RSB5200	52.00	1.00	2.15	
RSB5250	52.50	1.00	2.15	
RSB5300	53.00	1.00	2.15	
RSB5350	53.50	1.00	2.15	
RSA5400	54.00	0.80	2.2	
RSB5400	54.00	1.00	2.2	
RSB5425	54.25	1.00	2.2	
RSB5450	54.50	1.00	2.3	
RSB5475	54.75	1.00	2.3	
RSB5500	55.00	1.00	2.3	
RSB5525	55.25	1.00	2.3	
RSB5550	55.50	1.00	2.3	
RSB5575	55.75	1.00	2.3	
RSB5600	56.00	1.00	2.3	
RSB5625	56.25	1.00	2.3	
RSB5650	56.5	1.00	2.3	
RSB5675	56.75	1.00	2.3	
RSB5700	57.00	1.00	2.3	
RSB5725	57.25	1.00	2.3	

Ring part No.	Fits bore dia. (mm)	Ring height (mm)	Ring width (mm)	Price code
RSB5750	57.50	1.00	2.30	16
RSB5775	57.75	1.00	2.30	
RSB5800	58.00	1.00	2.40	
RSB5850	58.50	1.00	2.40	
RSB5900	59.00	1.00	2.65	
RSB5950	59.50	1.00	2.65	
RSB6000	60.00	1.00	2.65	
RSB6050	60.50	1.00	2.65	
RSB6100	61.00	1.00	2.65	
RSB6150	61.50	1.00	2.65	
RSB6200	62.00	1.00	2.65	
RSB6250	62.50	1.00	2.65	
RSB6300	63.00	1.00	2.65	
RSB6350	63.50	1.00	2.65	
RSB6400	64.00	1.00	2.65	
RSB6425	64.25	1.00	2.65	
RSB6450	64.50	1.00	2.65	
RSB6475	64.75	1.00	2.65	
RSB6500	65.00	1.00	2.65	
RSB6525	65.25	1.00	2.65	
RSB6550	65.50	1.00	2.65	
RSB6600	66.00	1.00	2.65	
RSB6625	66.25	1.00	2.65	
RSB6640	66.40	1.00	2.65	
RSB6650	66.50	1.00	2.65	
RSB6675	66.75	1.00	2.65	
RSB6700	67.00	1.00	2.65	
RSB6725	67.25	1.00	2.65	
RSB6740	67.40	1.00	2.65	
RSB6750	67.50	1.00	2.65	
RSB6775	67.75	1.00	2.65	
RSB6800	68.00	1.00	2.80	
RSB6825	68.25	1.00	2.80	
RSB6850	68.50	1.00	2.80	
RSB6875	68.75	1.00	2.80	
RSB6900	69.00	1.00	2.80	
RSB6925	69.25	1.00	2.80	
RSB6950	69.50	1.00	2.80	

Ring • Rings - 2 stroke



Alle Wössner Ringe können in Guss, sowie Nikasil® Zylindern eingesetzt werden.
 All Woessner rings can be used in cast iron, Nikasil®, boron composite® and Electrofusion bores.

Achtung: Wössner 2-Takt-Ringe dürfen nicht in verchromten Bohrungen eingesetzt werden.

Caution: Wössner 2-stroke rings can not be used in chrome plated bores

Ring part No.	Fits bore dia. (mm)	Ring height (mm)	Ring width (mm)	Price code
RSB7000	70.00	1.00	2.80	16
RSB7025	70.25	1.00	2.80	
RSB7050	70.50	1.00	2.80	
RSB7075	70.75	1.00	2.80	
RSB7100	71.00	1.00	2.80	
RSB7125	71.25	1.00	2.80	
RSB7150	71.50	1.00	2.80	
RSB7200	72.00	1.00	3.00	
RSB7225	72.25	1.00	3.00	
RSB7250	72.50	1.00	3.00	
RSB7300	73.00	1.00	3.00	
RSB7350	73.50	1.00	3.00	
RSB7400	74.00	1.00	3.00	
RSB7450	74.50	1.00	3.00	
RSC7500	75.00	1.20	3.20	
RSC7550	75.50	1.20	3.20	
RSC7600	76.00	1.20	3.20	
RSC7650	76.50	1.20	3.20	
RSC7700	77.00	1.20	3.20	
RSC7750	77.50	1.20	3.20	
RSC7800	78.00	1.20	3.20	
RSC7850	78.50	1.20	3.20	
RSC7900	79.00	1.20	3.20	
RSD7900	79.00	1.50	3.15	

Ring part No.	Fits bore dia. (mm)	Ring height (mm)	Ring width (mm)	Price code
RSC8000	80.00	1.20	3.20	16
RSC8050	80.50	1.20	3.20	
RSC8100	81.00	1.20	3.20	
RSC8150	81.50	1.20	3.20	
RSC8200	82.00	1.20	3.20	
RSC8250	82.50	1.20	3.20	
RSC8300	83.00	1.20	3.20	
RSC8350	83.50	1.20	3.20	
RSC8400	84.00	1.20	3.20	
RSC8450	84.50	1.20	3.20	
RSC8500	85.00	1.20	3.20	
RSC8550	85.50	1.20	3.40	
RSC8600	86.00	1.20	3.20	
RSC8650	86.50	1.20	3.20	
RSC8700	87.00	1.20	3.40	
RSC8750	87.50	1.20	3.20	
RSC8800	88.00	1.20	3.60	
RSC8850	88.50	1.20	3.60	
RSC8900	89.00	1.20	3.60	
RSC8950	89.50	1.20	3.60	
RSC9000	90.00	1.20	3.60	
RSC9050	90.50	1.20	3.60	
RSC9100	91.00	1.20	3.60	
RSC10000	100.00	1.20	3.60	



Ring • Rings - 4 stroke



Alle Wössner Ringe können in Guss, sowie Nikasil® Zylindern eingesetzt werden.

All Woessner rings can be used in cast iron, Nikasil®, boron composite® and Electrofusion bores.

Ring Part No.	Fits Bore dia. (mm)	Top Ring (mm)	Second Ring (mm)	Oil Ring (mm)	Price code
530XKS	53.00	1.00	0.80	2.00	18
535XKS	53.50	1.00	0.80	2.00	18
540XKS	54.00	1.00	0.80	2.00	18
545XKS	54.50	1.00	0.80	2.00	18
550XKS	55.00	1.00	0.80	2.00	18
560XKS	56.00	1.00	0.80	2.00	18
565XKS	56.50	1.00	0.80	2.00	18
570XKS	57.00	1.00	0.80	2.00	18
575XKS	57.50	1.00	0.80	2.00	18
580XKS	58.00	1.00	0.80	2.00	18
585XKS	58.50	1.00	0.80	2.00	18
590XKS	59.00	1.00	0.80	2.00	18
595XKS	59.50	1.00	0.80	2.00	18
600XGS	60.00	1.00	1.00	2.00	18
600XKS	60.00	1.00	0.80	2.00	18
605XKS	60.50	1.00	0.80	2.00	18
605XDS	60.50	1.00	1.20	2.00	18
610XKS	61.00	1.00	0.80	2.00	18
615XKS	61.50	1.00	0.80	2.00	18
620XKS	62.00	1.00	0.80	2.00	18
625XKS	62.50	1.00	0.80	2.00	18
630XKS	63.00	1.00	0.80	2.00	18
635XKS	63.50	1.00	0.80	2.00	18
640XKS	64.00	1.00	0.80	2.00	18
645XKS	64.50	1.00	0.80	2.00	18
650XKS	65.00	1.00	0.80	2.00	18
650XDS	65.00	1.00	1.20	2.00	18
655XGS	65.50	1.00	1.00	2.00	18
660XKS	66.00	1.00	0.80	2.00	18
665XKS	66.50	1.00	0.80	2.00	18
670XKS	67.00	1.00	0.80	2.00	18
675XKS	67.50	1.00	0.80	2.00	18
680XKS	68.00	1.00	0.80	2.00	18
685XKS	68.50	1.00	0.80	2.00	18
690XKS	69.00	1.00	0.80	2.00	18
695XKS	69.50	1.00	0.80	2.00	18
700XDS	70.00	1.00	1.20	2.00	18
705XDS	70.50	1.00	1.20	2.00	18
710XDS	71.00	1.00	1.20	2.00	18

Ring Part No.	Fits Bore dia. (mm)	Top Ring (mm)	Second Ring (mm)	Oil Ring (mm)	Price code
715XDS	71.50	1.00	1.20	2.00	18
720XDS	72.00	1.00	1.20	2.00	18
725XDS	72.50	1.00	1.20	2.00	18
730XDS	73.00	1.00	1.20	2.00	18
730XAS	73.00	0.80	0.80	1.50	18
735XDS	73.50	1.00	1.20	2.00	18
740XDS	74.00	1.00	1.20	2.00	18
740XTZ	74.00	1.50	1.20	2.00	18
745XDS	74.50	1.00	1.20	2.00	18
745XTZ	74.50	1.50	1.20	2.00	18
750XDS	75.00	1.00	1.20	2.00	18
750XTZ	75.00	1.50	1.20	2.00	18
755XDS	75.50	1.00	1.20	2.00	18
755XTZ	75.50	1.50	1.20	2.00	18
760XDS	76.00	1.00	1.20	2.00	18
760XTZ	76.00	1.50	1.20	2.00	18
760XMS	76.00	0.80	0.80	2.00	18
760XAS	76.00	0.80	0.80	1.50	18
760XWY	76.00	1.00	0.80	1.50	18
765XDS	76.50	1.00	1.20	2.00	18
765XTZ	76.50	1.50	1.20	2.00	18
766XTZ	76.60	1.50	1.20	2.00	18
768XAS-2	76.80	0.80	-	1.50	18
770XKS	77.00	1.00	0.80	2.00	18
770XTT	77.00	1.00	1.20	3.00	18
770XDS	77.00	1.00	1.20	2.00	18
770XTZ	77.00	1.50	1.20	2.00	18
770XTD	77.00	1.50	1.20	3.00	18
770XAS-2	77.00	0.80	0.80	1.50	18
772XDS	77.25	1.00	1.20	2.00	18
775XDS	77.50	1.00	1.20	2.00	18
775XTZ	77.50	1.50	1.20	2.00	18
780XMS	78.00	0.80	0.80	2.00	18
780XDS	78.00	1.00	1.20	2.00	18
780XTT	78.00	1.00	1.20	3.00	18
780XTZ	78.00	1.50	1.20	2.00	18
780XAS	78.00	0.80	0.80	1.50	18
780XWY	78.00	1.00	0.80	1.50	18
785XDS	78.50	1.00	1.20	2.00	18

Ring • Rings - 4 stroke



Alle Wössner Ringe können in Guss, sowie Nikasil® Zylindern eingesetzt werden.

All Woessner rings can be used in cast iron, Nikasil®, boron composite® and Electrofusion bores.

Ring part No.	Fits bore dia. (mm)	Top ring (mm)	Second ring (mm)	Oil ring (mm)	Price code
785XTZ	78.50	1.50	1.20	2.00	18
787XDS	78.70	1.00	1.20	2.00	18
787XTZ	78.70	1.50	1.20	2.00	18
790XMS	79.00	0.80	0.80	2.00	18
790XDS	79.00	1.00	1.20	2.00	18
790XTZ	79.00	1.50	1.20	2.00	18
790XWY	79.00	1.00	0.80	2.00	18
795XDS	79.50	1.00	1.20	2.00	18
795XTZ	79.50	1.50	1.20	2.00	18
797XDS	79.75	1.00	1.20	2.00	18
800XTT	80.00	1.00	1.20	3.00	19
800XDS	80.00	1.00	1.20	2.00	19
800XTZ	80.00	1.50	1.20	2.00	19
802XDS	80.25	1.00	1.20	2.00	19
805XDS	80.50	1.00	1.20	2.00	19
805XTZ	80.50	1.50	1.20	2.00	19
810XDS	81.00	1.00	1.20	2.00	19
810XSY	81.00	1.00	1.20	2.50	19
810XTY	81.00	1.50	1.20	2.50	19
815XSY	81.50	1.00	1.20	2.50	19
815XTY	81.50	1.50	1.20	2.50	19
820XSY	82.00	1.00	1.20	2.50	19
820XDS	82.00	1.00	1.20	2.00	19
820XTY	82.00	1.50	1.20	2.50	19
825XSY	82.50	1.00	1.20	2.50	19
825XTY	82.50	1.50	1.20	2.50	19
827XDS	82.70	1.00	1.20	2.00	19
827XSY	82.70	1.00	1.20	2.50	19
827XTY	82.70	1.50	1.20	2.50	19
830XSY	83.00	1.00	1.20	2.50	19
830XTY	83.00	1.50	1.20	2.50	19
830XDS	83.00	1.00	1.20	2.00	19
835XSY	83.50	1.00	1.20	2.50	19
835XTY	83.50	1.50	1.20	2.50	19
840XSY	84.00	1.00	1.20	2.50	19
840XTY	84.00	1.50	1.20	2.50	19
840XDS	84.00	1.00	1.20	2.00	19
842XSY	84.20	1.00	1.20	2.50	19
842XTY	84.20	1.50	1.20	2.50	19

Ring part No.	Fits bore dia. (mm)	Top ring (mm)	Second ring (mm)	Oil ring (mm)	Price code
844XSY	84.40	1.00	1.20	2.50	19
844XTY	84.40	1.50	1.20	2.50	19
845XSY	84.50	1.00	1.20	2.50	19
845XTY	84.50	1.50	1.20	2.50	19
846XSY	84.60	1.00	1.20	2.50	19
846XTY	84.60	1.50	1.20	2.50	19
847XSY	84.75	1.00	1.20	2.50	19
848XSY	84.80	1.00	1.20	2.50	19
848XTY	84.80	1.50	1.20	2.50	19
850XSY	85.00	1.00	1.20	2.50	19
850XTY	85.00	1.50	1.20	2.50	19
855XSY	85.50	1.00	1.20	2.50	19
855XTY	85.50	1.50	1.20	2.50	19
860XDS	86.00	1.00	1.20	2.00	19
860XSY	86.00	1.00	1.20	2.50	19
860XTY	86.00	1.50	1.20	2.50	19
862XSY	86.25	1.00	1.20	2.50	19
862XTY	86.25	1.50	1.20	2.50	19
865XSY	86.50	1.00	1.20	2.50	19
865XTY	86.50	1.50	1.20	2.50	19
867XSY	86.75	1.00	1.20	2.50	19
867XTY	86.75	1.50	1.20	2.50	19
870XSY	87.00	1.00	1.20	2.50	19
870XTY	87.00	1.50	1.20	2.50	19
875XSY	87.50	1.00	1.20	2.50	19
875XTY	87.50	1.50	1.20	2.50	19
880XSY	88.00	1.00	1.20	2.50	19
880XTY	88.00	1.50	1.20	2.50	19
880XDS	88.00	1.00	1.20	2.00	19
885XSY	88.50	1.00	1.20	2.50	19
885XTY	88.50	1.50	1.20	2.50	19
890XSY	89.00	1.00	1.20	2.50	19
890XTY	89.00	1.50	1.20	2.50	19
892XSY	89.25	1.00	1.20	2.50	19
895XSY	89.50	1.00	1.20	2.50	19
897XSY	89.75	1.00	1.20	2.50	19
895XTY	89.50	1.50	1.20	2.50	19
900XDS	90.00	1.00	1.20	2.00	19
900XSY	90.00	1.00	1.20	2.50	19

Ring • Rings - 4 stroke



Alle Wössner Ringe können in Guss, sowie Nikasil® Zylindern eingesetzt werden.

All Woessner rings can be used in cast iron, Nikasil®, boron composite® and Electrofusion bores.

Ring part No.	Fits bore dia. (mm)	Top ring (mm)	Second ring (mm)	Oil ring (mm)	Price code
900XTY	90.00	1.50	1.20	2.50	19
905XSX	90.50	1.00	1.20	2.50	19
905XTY	90.50	1.50	1.20	2.50	19
910XSX	91.00	1.00	1.20	2.50	19
910XTY	91.00	1.50	1.20	2.50	19
912XSX	91.25	1.00	1.20	2.50	19
912XTY	91.25	1.50	1.20	2.50	19
915XSX	91.50	1.00	1.20	2.50	19
915XTY	91.50	1.50	1.20	2.50	19
917XSX	91.75	1.00	1.20	2.50	19
917XTY	91.75	1.50	1.20	2.50	19
920XDS	92.00	1.00	1.20	2.00	19
920XSX	92.00	1.00	1.20	2.50	19
920XTY	92.00	1.50	1.20	2.50	19
925XSX	92.50	1.00	1.20	2.50	19
925XTY	92.50	1.50	1.20	2.50	19
930XSX	93.00	1.00	1.20	2.50	19
930XTY	93.00	1.50	1.20	2.50	19
935XSX	93.50	1.00	1.20	2.50	19
935XTY	93.50	1.50	1.20	2.50	19
936XSX	93.60	1.00	1.20	2.50	19
938XSX	93.80	1.00	1.20	2.50	19
938XTY	93.80	1.50	1.20	2.50	19
940XSX	94.00	1.00	1.20	2.50	19
940XTY	94.00	1.50	1.20	2.50	19
942XSX	94.20	1.00	1.20	2.50	19
942XTY	94.20	1.50	1.20	2.50	19
945XSX	94.50	1.00	1.20	2.50	19
945XTY	94.50	1.50	1.20	2.50	19
950XDS	95.00	1.00	1.20	2.00	19
950XSX	95.00	1.00	1.20	2.50	19
950ADS-2	95.00	1.00	-	2.00	19
950XTY	95.00	1.50	1.20	2.50	19
955XSX	95.50	1.00	1.20	2.50	19
955XTY	95.50	1.50	1.20	2.50	19
960XSX	96.00	1.00	1.20	2.50	19
960ADS-2	96.00	1.00	-	2.00	19
960XTY	96.00	1.50	1.20	2.50	19
965XTY	96.50	1.50	1.20	2.50	19

Ring part No.	Fits bore dia. (mm)	Top ring (mm)	Second ring (mm)	Oil ring (mm)	Price code
965XSX	96.50	1.00	1.20	2.50	19
970XTY	97.00	1.50	1.20	2.50	19
970XSX	97.00	1.00	1.20	2.50	19
970ADS-2	97.00	1.00	-	2.00	19
970XDS	97.00	1.00	1.20	2.00	19
975XSX	97.50	1.00	1.20	2.50	19
975XTY	97.50	1.50	1.20	2.50	19
980XSX	98.00	1.00	1.20	2.50	19
980ADS-2	98.00	1.00	-	2.00	19
980XDS	98.00	1.00	1.20	2.00	19
980XTY	98.00	1.50	1.20	2.50	19
985XSX	98.50	1.00	1.20	2.50	19
985XTY	98.50	1.50	1.20	2.50	19
987XSX	98.75	1.00	1.20	2.50	19
990XSX	99.00	1.00	1.20	2.50	19
990XTY	99.00	1.50	1.20	2.50	19
992XSX	99.20	1.00	1.20	2.50	19
995XSX	99.50	1.00	1.20	2.50	19
995XTY	99.50	1.50	1.20	2.50	19
1000ADS-2	100.00	1.00	-	2.00	20
1000XSX	100.00	1.00	1.20	2.50	20
1000XTY	100.00	1.50	1.20	2.50	20
1005XSX	100.50	1.00	1.20	2.50	20
1005XTY	100.50	1.50	1.20	2.50	20
1010XSX	101.00	1.00	1.20	2.50	20
1010XTY	101.00	1.50	1.20	2.50	20
1015XSX	101.50	1.00	1.20	2.50	20
1016XSU	101.60	1.20	1.50	2.50	20
1020XSK	102.00	1.20	1.50	2.50	20
1020XSU	102.00	1.20	1.50	2.50	20
1025XSU	102.50	1.20	1.50	2.50	20
1030XSU	103.00	1.20	1.50	2.50	20
1035XSU	103.50	1.20	1.50	2.50	20
1040XSU	104.00	1.20	1.50	2.50	20
1045XSU	104.50	1.20	1.50	2.50	20
1050XSU	105.00	1.20	1.50	2.50	20
1055XSU	105.50	1.20	1.50	2.50	20
1060XSU	106.00	1.20	1.50	2.50	20
1065XSU	106.50	1.20	1.50	2.50	20

Bolzen • Pins



T = konisch / conical shape

C = verchromt /

chromium plated for plain bearing only

S = zylindrisch / cylindrical shape

R = Radius / radius

DLC = DLC beschichtet /
DLC coated

ØD = Außen-Ø / Ø outside

Ød = Innen-Ø / Ø inside

* Größen in Millimeter, wenn nichts anderes explizit vermerkt ist
Dimensions in millimeters if nothing else is explicitly written

Ø	Part no.	Dimensions*			Typ	Weight (gr.)	Price code
		ØD	Ød	length			
10	WP105	10.00	7.00	33.00	S	10.00	13
12	WP091	12.00	8.00	37.50	S	18.00	13
	WP101	12.00	8.00	33.00	S	16.00	13
13	WP088	13.00	8.00	40.00	CT	24.00	13
14	WP058	14.00	10.00	38.50	T	21.00	13
	WP025	14.00	9.00	45.00	S	31.00	13
	WP063	14.00	8.00	38.50	CT	28.00	13
15	WP032	15.00	10.00	45.00	T	33.00	13
	WP011	15.00	9.00	45.00	S	39.00	13
	WP067	15.00	10.00	41.00	T	29.00	13
	WP102	15.00	10.00	54.00	CS	41.00	13
16	WP087	16.00	10.00	36.00	CT	33.00	13
	WP036	16.00	10.00	45.00	T	41.00	13
	WP041	16.00	10.50	51.00	T	42.00	13
	WP059	16.00	9.00	45.00	CT	44.00	13
	WP027	16.00	11.00	56.20	T	44.00	13
	WP066	16.00	9.00	42.00	CS	45.00	13
17	WP070	16.00	9.00	38.00	CS	41.00	13
	WP083	17.00	10.00	46.00	CT	49.00	13
	WP090	17.00	10.00	51.00	CT	55.00	13
	WP089	17.00	10.00	58.00	CT	63.00	13
17.463	WP045	17.00	11.00	61.00	CS	63.00	13
17.463	WP062	11/16"	11.00	51.00	CT	51.00	13

Ø	Part no.	Dimensions*			Typ	Weight (gr.)	Price code
		ØD	Ød	length			
18	WP054	18.00	11.00	45.00	CT	54.00	13
	WP049	18.00	12.00	45.00	CT	45.00	13
	WP072	18.00	8.00	46.00	CT	70.00	13
	WP072DLC	18.00	8.00	46.00	T DLC	70.00	-
	WP099	18.00	10.00	51.00	CT	68.00	13
	WP053	18.00	9.00	51.00	CT	71.00	13
	WP031	18.00	11.00	51.00	CT	60.00	13
	WP039	18.00	12.00	56.00	T	59.00	13
	WP042	18.00	11.00	62.80	T	71.00	13
	WP040	18.00	13.00	53.20	T	47.00	13
	WP033	18.00	13.00	56.20	T	49.00	13
	WP064	18.00	10.00	56.00	CS	76.00	13
	WP079	18.00	12.00	62.80	S	74.00	13
	18.5	WP084	18.50	11.00	55.50	CT	71.00
19	WP037	19.00	10.00	51.00	T	75.00	13
	WP071	19.00	9.20	46.00	T	74.00	13
	WP071DLC	19.00	9.20	46.00	T DLC	74.00	-
	WP028	19.00	12.00	46.00	CT	55.50	13
	WP028DLC	19.00	12.00	46.00	T DLC	55.50	-
	WP018	19.00	12.00	48.00	CT	58.00	13
	WP050	19.00	12.00	51.00	CT	61.00	13
	WP026	19.00	12.00	55.50	CT	68.00	13
19.05	WP044	19.00	13.00	56.40	T	62.00	13
	WP019	19.00	13.00	61.00	S	73.00	13
	WP048	3/4"	12.00	56.00	CT	68.00	13
19.46	WP096	19.46	12.00	51.00	CT	66.00	13
	WP035	19.46	12.00	61.00	CT	80.00	13

Bolzen • Pins



T = konisch / conical shape

C = verchromt /

chromium plated for plain bearing only

S = zylindrisch / cylindrical shape

R = Radius / radius

DLC = DLC beschichtet /
DLC coated

ØD = Außen-Ø / Ø outside

Ød = Innen-Ø / Ø inside

* Größen in Millimeter, wenn nichts anderes explizit vermerkt ist
Dimensions in millimeters if nothing else is explicitly written

Ø	Part no.	Dimensions*			Typ	Weight (gr.)	Price code
		ØD	Ød	length			
20	WP052	20.00	12.50	55.00	CT	79.00	14
	WP029	20.00	13.00	46.00	CT	58.00	14
	WP038	20.00	13.00	51.00	T	66.00	14
	WP061	20.00	11.00	61.00	CS	105.00	14
	WP086	20.00	13.00	61.00	T	79.00	14
	WP065	20.00	11.00	55.00	CS	93.00	14
	WP068	20.00	12.00	51.00	CR	75.00	14
	WP073	20.00	10.00	46.00	CT	81.00	14
	WP075	20.00	12.50	49.00	CT	72.00	14
	WP076	20.00	14.00	56.00	T	63.00	14
	20.12	WP020	0,792"	12.00	51.00	CT	73.00
WP021		0,792"	12.00	56.00	CT	82.00	14
WP093		0,792"	13.00	72.00	CS	104.00	14
20.63	WP195	13/16"	13.00	55.50	CT	79.00	14
	WP095	20,625	13.00	55.50	CT	79.00	14
	WP174	13/16"	12.50	49.00	CT	76.00	14
	WP074	20,625	12.50	49.00	CT	76.00	14
21	WP013	21.00	13.50	46.00	CT	73.00	14
	WP051	21.00	13.50	51.00	CT	75.00	14
	WP034	21.00	13.00	55.50	CT	86.00	14
	WP092	21.00	12.00	61.00	CS	111.00	14
	WP081	21.00	13.00	61.00	T	82.00	14

Ø	Part no.	Dimensions*			Typ	Weight (gr.)	Price code	
		ØD	Ød	length				
22	WP097	22.00	12.00	46.00	CS	96.00	14	
	WP055	22.00	14.00	46.00	CT	69.00	14	
	WP009	22.00	14.00	51.00	CT	76.00	14	
	WP098	22.00	13.00	51.00	CS	99.00	14	
	WP017	22.00	14.00	55.00	CT	87.00	14	
	WP046	22.00	14.00	63.00	CT	98.00	14	
	WP080	22.00	14.00	61.00	T	87.00	14	
	WP077	22.00	15.00	63.00	T	83.00	14	
	WP069	22.00	14.00	63.00	C	104.00	14	
	22.22	WP085	7/8"	14.00	63.00	CT	105.00	14
	23	WP008	23.00	13.00	50.50	CT	98.00	14
WP047		23.00	13.00	50.50	CS	112.00	14	
WP024		23.00	15.00	55.50	CT	95.00	14	
WP094		23.00	13.00	61.00	CT	126.00	14	
WP082		23.00	13.00	55.50	CS	123.00	14	
23.55	WP056	0.927"	15.90	56.00	CT	96.00	14	
	WP060	0.927"	15.90	51.00	CT	86.00	14	
	WP100	0.927"	15.70	2.25"	CS	108.00	14	
23.813	WP103	0.927"	14.00	2.75"	CS	154.00	14	
	WP043	15/16"	15.00	63.00	CT	124.00	14	
24	WP023	24.00	16.00	51.00	CT	92.00	14	
	WP057	24.00	17.00	56.00	CT	90.00	14	
	WP022	24.00	16.00	63.50	CT	121.00	14	
	WP078	24.00	17.00	68.00	T	113.00	14	
26	WP104	26.00	16.00	63.00	C	161.00	13	

Bolzen • Pins



T = konisch / *conical shape*

C = verchromt /

chromium plated for plain bearing only

S = zylindrisch / *cylindrical shape*

R = Radius / *radius*

DLC = DLC beschichtet /
DLC coated

ØD = Außen-Ø / *Ø outside*

Ød = Innen-Ø / *Ø inside*

* Größen in Millimeter, wenn nichts anderes explizit vermerkt ist
Dimensions in millimeters if nothing else is explicitly written

Ø	Part no.	Dimensions*			Typ	Weight (gr.)	Price code
		ØD	Ød	length			
23	WP008	23.00	13.00	50.50	CT	98.00	14
	WP047	23.00	13.00	50.50	CS	112.00	14
	WP024	23.00	15.00	55.50	CT	95.00	14
	WP094	23.00	13.00	61.00	CT	126.00	14
	WP082	23.00	13.00	55.50	CS	123.00	14
24	WP023	24.00	16.00	51.00	CT	92.00	14
	WP057	24.00	17.00	56.00	CT	90.00	14
	WP022	24.00	16.00	63.50	CT	121.00	14
	WP078	24.00	17.00	68.00	T	113.00	14
26	WP104	26.00	16.00	63.00	C	161.00	13
17.463	WP062	11/16"	11.00	51.00	CT	51.00	13
19.05	WP048	3/4"	12.00	56.00	CT	68.00	13

Ø	Part no.	Dimensions*			Typ	Weight (gr.)	Price code
		ØD	Ød	length			
20.12	WP020	0.792"	12.00	51.00	CT	73.00	14
	WP021	0.792"	12.00	56.00	CT	82.00	14
	WP093	0.792"	13.00	72.00	CS	104.00	14
20.63	WP195	13/16"	13.00	55.50	CT	79.00	14
	WP095	20,625	13.00	55.50	CT	79.00	14
	WP174	13/16"	12.50	49.00	CT	76.00	14
	WP074	20.625	12.50	49.00	CT	76.00	14
22.22	WP085	7/8"	14.00	63.00	CT	105.00	14
23.55	WP056	0.927"	15.90	56.00	CT	96.00	14
	WP060	0.927"	15.90	51.00	CT	86.00	14
	WP100	0.927"	15.70	2.25"	CS	108.00	14
	WP103	0.927"	14.00	2.75"	CS	154.00	14
23.813	WP043	15/16"	15.00	63.00	CT	124.00	14



Obwohl **FGM** ein verhältnismäßig junges Unternehmen ist, können wir auf einen großen Erfahrungsschatz unserer Mitarbeiter zurückgreifen.

*Even though **Forging Group Monale (FGM)** has been founded recently, their high quality production facility and knowledgeable staff have a high level of experience and technical ability in forging design and manufacturing.*



Das Schmieden ist ein sehr alter Arbeitsvorgang. Verschiedenartige Legierungen sind für diese Art von Verarbeitung geeignet. Die plastische Umformung, die durch diese Technik erzielt wird, ermöglicht die Herstellung von verschiedensten Teilen, die allesamt sehr hohen Belastungen standhalten, sehr kompakt sind und optimal weiterverarbeitet werden können.

Forging manufacturing is a technical production process. Aluminum alloys are especially adapted for this kind of processing. The plastic deformation obtained by this technique enables the manufacturing of lightweight Aluminum products to be capable of withstanding high level of stress and to be finish shaped in to unique forged components which are extremely compact and very easy to work with.

Wir verfügen über diverse Spindelpressen von 400 bis zu 1400 Tonnen, einer hydraulischen Presse von 2500 Tonnen sowie 2 weiteren Hydraulischen Pressen von 1000 Tonnen.

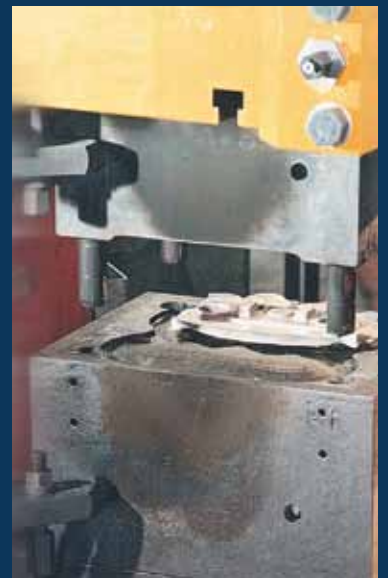
Jede Presse verfügt über ihren eigenen Ofen zum Vorheizen. Diverse vollautomatische Sägemaschinen, Wärmebehandlungsöfen und eine automatische Picklingmaschine komplettieren die Produktionsstraße.

Mit den oben angesprochenen Anlagen sind wir in der Lage, Aluminiumteile von ein paar Gramm bis hin zu mehreren Kilo Gewicht zu fertigen.

FGM has a wide range of screw presses from 400 to 1400 tons, one mechanical press of 2500 tons and two hydraulic presses of 1000 tons.

Each press has its own pre-heating oven, sawing machines, heat-treatment ovens and an automatic pickling center to complete the forging production process.

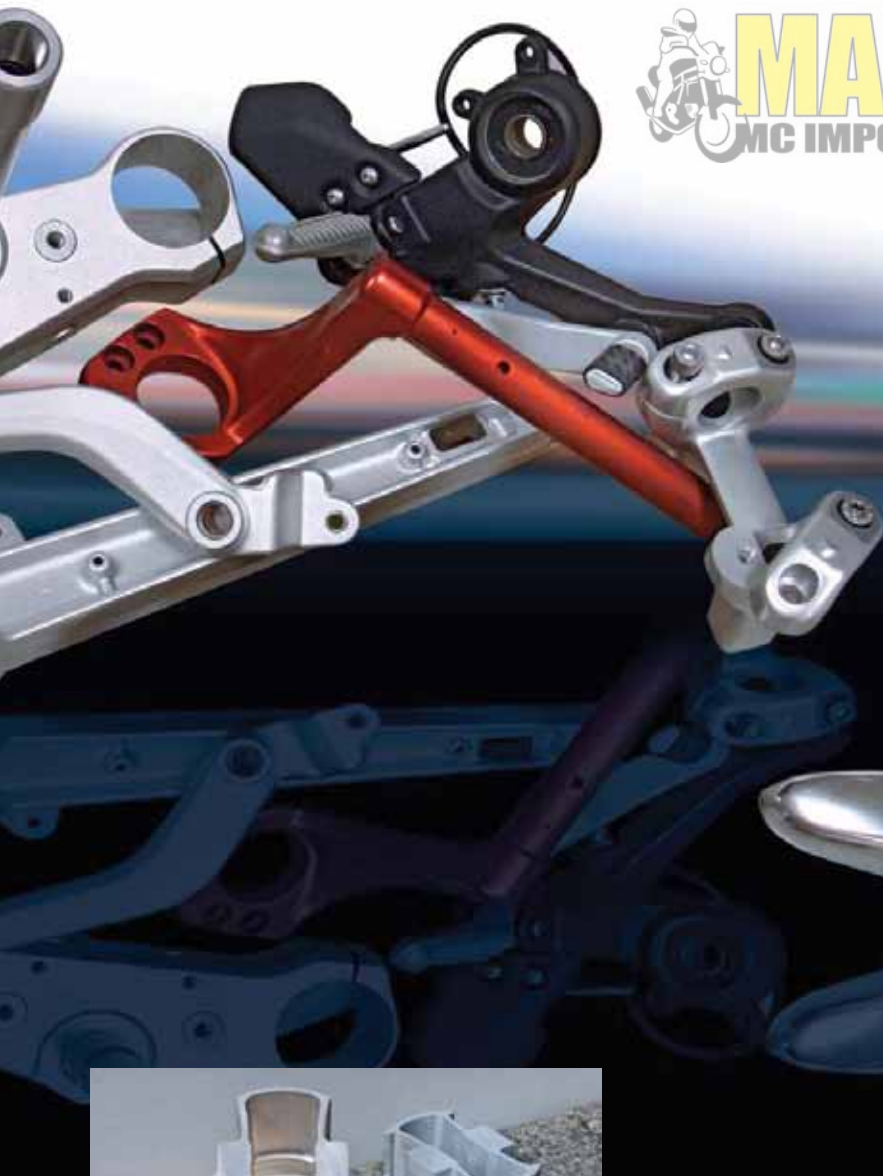
FGM can produce forgings in Aluminum alloy, from a few grams to several kilos of weight depending on the client's requirements and needs.





FGM unterliegt den Vorgaben von **UNI EN ISO 9001:2008**

*FGM follows the requirements of the Quality System of the Standard
UNI EN ISO 9001:2008*



Member of Wössner Group

FORGING GROUP MONALE S.r.l.

Str. Castellero 18/20

14013 MONALE D'ASTI (AT) - ITALY

Tel. +39 0141 669819

Fax +39 0141 669800

domenico.brachet@forging-group.com



Hinweise - Instructions

INSTALLATIONSHINWEISE

Diese Arbeiten müssen unbedingt von einem Fachmann ausgeführt werden!

Kolbenlaufspiel

Wössner Kolben sind mit einer speziellen Ovalität versehen. Der Kolbendurchmesser wird an der dicksten Stelle des Kolbens gemessen. Diese befindet sich um 90° versetzt zum Kolbenbolzen, ca. 7 – 10 mm vom unteren Rand des Kolbenhemdes. Das Laufspiel ist auf der Verpackung angegeben.

Beschichtete Kolben

Das Kolbenlaufspiel wird ohne die Beschichtung des Kolbens berechnet. Die Beschichtung macht ca. 0.01 – 0.02 mm im Durchmesser aus.

Spaltmaße zum Zylinderkopf

Das Spaltmaß zwischen Dom und Zylinderkopf, sowie der Quetschkante muss vor dem Zusammenbau überprüft werden und muss den OEM Maßen entsprechen.

Spiel zwischen Ventilen und Kolben

Die Wössner Kolben werden in den meisten Fällen mit Ventiltaschen geliefert die tiefer sind als die der OEM Kolben. Es ist sehr wichtig, dass der Ventilhub vor dem Einbau der Kolben geprüft wird. Das ist notwendig, da es eine Vielzahl von Nockenwellen gibt, auch spielen hier Zylinderkopf/Blockhöhe eine Rolle.

INSTALLATIONSHINWEISE

4-TAKT RINGE

Die Ringe müssen mit einer geeigneten Kolbenringzange eingebaut werden, wobei man mit dem untersten Ring anfängt. Übertriebenes Spreizen des Rings sollte verhindert werden, da dies zu einer Deformation des Rings führen kann. Wenn die Ringe deformiert sein sollten, sind sie nicht mehr zu verwenden. Ringe die eine Markierung besitzen, müssen innerhalb der Nute mit der Bezeichnung nach oben, in Richtung Zylinderkopf eingebaut werden. Besondere Sorgfalt gilt beim Einbau von dem Ölabstreifring.

Achten Sie darauf, dass alle Ringstöße gleichmäßig versetzt sind.

Ringstoßspiel

Prüfen Sie die Verdichtungsringe auf das Stoßspiel, gegebenenfalls müssen Sie diese vorsichtig nacharbeiten. Multiplizieren Sie Ihren Zylinderdurchmesser in mm mit dem Faktor in der jeweiligen Zeile für Ihre Anwendung um das Ringstoßspiel zu bestimmen.

Beispiel: Für den ersten Ring eines ATV's mit 80.00 mm Bohrung multipliziert man $80 \times 0.0040 = 0,32$ mm.

Anwendung / application	1ter Ring / top ring	2ter Ring / second ring	Öler Lamellen / oil ring rail
Motorrad und ATV	Bore x 0.0040	Bore x 0.0050	mind. 0,4 mm
HC Kolben für Motorräder	Bore x 0.0045	Bore x 0.0050	mind. 0,4 mm
Turbo Kolben für Motorräder	Bore x 0.0050	Bore x 0.0055	mind. 0,4 mm

Die obenstehende Tabelle gibt nur einen Richtwert an. Das Stoßspiel des zweiten Rings sollte immer größer sein, als das Stoßspiel des ersten Rings, um einem Flattern der Ringe entgegen zu wirken



SPECIFICATIONS AND INSTALLATION INSTRUCTIONS

Piston to Cylinder Wall Clearance

Wössner pistons are designed with a special cam and cylinder design. When measuring for piston to wall clearance, measure at widest point of piston skirt from the bottom of the oil ring groove, 90 degrees from wrist pin hole.

Coated Pistons

Piston to wall clearance is calculated before the coating is applied to the piston skirts.

Dome Clearance

Dome to cylinder head clearance need to be checked prior to assembly.

Valve to Piston Clearance

Most Wössner pistons are designed with valve pockets that are deeper and larger than OEM. These pockets provide adequate valve clearance under most conditions. It is very important that valve to piston clearance is checked upon piston installation. This is necessary due to many variations in cams, how much a block has been decked, or if the heads have been cut or angle milled.

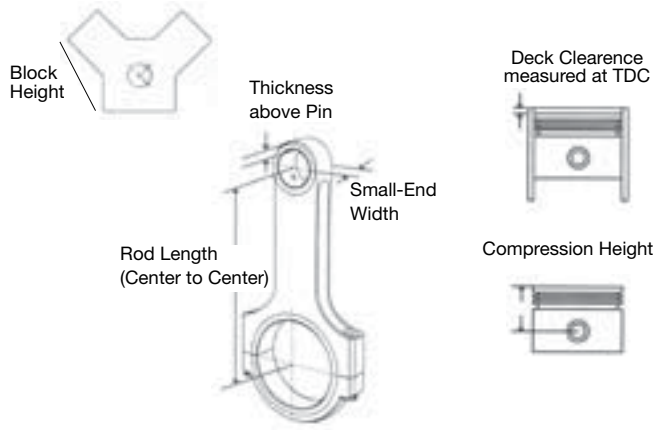
INSTALLATION INSTRUCTIONS . 4-STROKE RINGS

The rings are installed with suitable piston ring pliers, starting with the lowest ring. Excessive opening of the rings is to be avoided, since this could lead to deformation of the rings. If the rings are deformed, they are not longer able to provide a perfect seal. Rings that have the mark are to be fitted with the marking facing upwards towards the piston crown. Special care is needed for the installation of steel rail rings (3S-rings). After the spring has been loaded, the rails are to be mounted so that rail end gaps point towards the pin hole. When the upper rail is being installed, the ends of the spring needs to be held together so as to prevent overlapping. After this, the lower rail is to be installed. In the case of pistons with rotation prevention in the ring grooves, care need to be taken to ensure that the ring gaps are positioned alongside the location pins. After the rings have been installed, the ring gaps are to be spread evenly around the circumference (for example at 120° intervals for a 3-ring piston).

Custom Piston Order Form

Fax to +49 (0) 7621 95 66 49-25

Engine Type _____
Model _____ Year _____
Number of Cylinders _____ Order Quantity of Pistons _____
Displacement _____ Max RPM _____ Approx. HP _____
Bore Size _____ Stroke _____
Rod Length _____
Rod Small-End Width _____
Thickness above Pin _____
Head Gasket Thickness _____
Compression Ratio _____



CYLINDER HEAD

Combustion Chamber Size _____ cc's
Valve Diameter In _____ Ex _____
Free Drop (if known) _____
Was cylinder head milled? Yes No
If cylinder head was milled, how much?
 Flat _____ Angled _____

Piston Type (Circle one if known)

Dome Flat Top Dish Inverted Dome
 Conical Spherical Round 3D

Pistons designed for Circle Track Asphalt Dirt
 Drag Race Road Race Marine Street/Ship
 other (please specify) _____

Is your Motor Carbureted Injected
 Turbo Charged: Lbs. Boost _____ Blown: Lbs. Boost _____
Nitrous – how much HP 100 250 350 400+
 other (please specify) _____
Fuel Type Pump Gas Race Gas Alcohol Nitro

PIN SPECS

Pin Diameter _____ Length _____
Wall Thickness _____ Qty _____
Pins with Order Yes No
Pin Fit Yes No

Wössner GmbH reserves the right to choose the appropriate pin length if supplying pins per each piston design.

COMPANY INFORMATION

Company _____
Contact Person _____
Street _____
Country _____
Phone _____
Fax _____
E-Mail _____

RETURN POLICY: Custom pistons are returnable only for defects in workmanship or materials in the as received condition. Under no circumstances will parts be returnable after 90 days. Please check packaging for complete details regarding return policy.

ALLGEMEINE GESCHÄFTSBEDINGUNGEN

der Wössner GmbH · Im Wörth 21 · 79576 Weil am Rhein/Märkt



1. Allgemeines

Für unsere Angebote, Lieferungen, Reparatur- und sonstige Leistungen gelten ausschließlich die nachfolgenden Bedingungen. Anderslautende Bedingungen des Kunden, die wir nicht ausschließlich schriftlich anerkennen, sind für uns unverbindlich, auch wenn wir Ihnen nicht ausdrücklich widersprechen.

2. Vertragsschluß und -inhalt

2.1 Zur Annahme von Vertragsangeboten behalten wir uns eine Frist von drei Wochen vor. Unsere Angebote sind freibleibend.

2.2 Nebenabreden, Vorbehalte, Änderungen oder Ergänzungen dieses Vertrages bedürfen zu ihrer Wirksamkeit der Schriftform.

3. Preise und Zahlungsbedingungen

3.1 Unsere Preise verstehen sich zuzüglich Verpackung und Versand. Erhöhen sich zwischen Vertragsschluß und Lieferung die für unsere Kalkulation maßgeblichen Kosten, sind wir gegenüber Kaufleuten zu einer angemessenen Preiserhöhung berechtigt. Gegenüber Nichtkaufleuten gilt dies nur, sofern zwischen Vertragsschluß und Lieferung mehr als vier Monate liegen und soweit sich der mit dem Kunden vereinbarte Preis nicht mehr als 3% erhöht.

3.2 Ein Kostenvoranschlag ist nur verbindlich, wenn er schriftlich erteilt wurde. Folgt einem Kostenvoranschlag keine Auftragserteilung, sind wir berechtigt vom Kunden eine angemessene Vergütung für unseren Arbeitsaufwand zu verlangen.

3.3 Zahlungen sind binnen einer Woche nach Erteilung der Rechnung fällig und ohne jeden Abzug in deutscher Währung zu leisten.

3.4 Bei Versendung der Ware behalten wir uns Lieferung gegen Vorauskasse oder Nachnahme vor.

3.5 Haben wir mehrere offenstehende Forderungen gegen den Kunden werden dessen Zahlungen nach Maßgabe der §§ 367 Abs. 1, 366 Abs. 2 BGS verrechnet.

3.6 Bei Zahlungsverzug sind wir unbeschadet der Geltendmachung weitergehenden Schadens berechtigt Verzugszinsen in Höhe von 2% über dem Diskontsatz der Deutschen Bundesbank zu verlangen.

4. Lieferfristen und Termine

4.1 Lieferfristen und Arbeitszeiten sind nur verbindlich, wenn sie schriftlich vereinbart wurden.

4.2 Halten wir einen verbindlich vereinbarten Liefertermin nicht ein, ist der Kunde berechtigt, uns eine angemessene, mindestens dreiwöchige Nachfrist mit Ablehnungsandrohung zu setzen. Erst nach fruchtlosem Verstreichen dieser Frist kann der Kunde vom Vertrag zurücktreten. Nachfristsetzung und Rücktrittserklärung müssen schriftlich erfolgen.

4.3 Von uns nicht beherrschbare Leistungshindernisse wie z.B. höhere Gewalt, Arbeitskampfmaßnahmen, Materialbeschaffungsschwierigkeiten, behördliche Eingriffe u.s.w. - auch wenn sie bei unseren Vorlieferanten eintreten - führen zu einer angemessenen Verlängerung der Lieferfrist. Wird die Leistung aufgrund solcher Hindernisse unmöglich oder unzumutbar, können beide Parteien schriftlich vom Vertrag zurücktreten. Ein Schadensersatzanspruch des Kunden ist in solchen Fällen ausgeschlossen.

5. Gefahrübergang und Versand

5.1 Beim Versand der Ware geht die Gefahr auf den Kunden über, sobald die Ware der Transportperson übergeben worden ist oder zwecks Versendung unseren Betrieb verlassen hat. Verzögert sich die Versendung der versandbereiten Ware aus von uns nicht zu vertretenden Gründen, geht die Gefahr mit der Anzeige der Versandbereitschaft auf den Kunden über. Eine Versicherung der zu versendenden Ware gegen Transportschäden erfolgt nur kraft besonderer Vereinbarungen und auf Kosten des Kunden.

5.2 Bei Sendungen an uns trägt der Kunde die Transportgefahr.

6. Eigentumsvorbehalt

6.1 Die gelieferte Ware bleibt unser Eigentum bis zu ihrer vollständigen Bezahlung sowie bis zur vollständigen Begleichung aller unserer bestehenden, bei Geschäften mit Kaufleuten auch aller künftig entstehenden Forderungen gegenüber dem Kunden.

6.2 Geht unser Eigentum an der Vorbehaltsware infolge Verarbeitung unter, erwerben an der neuen Sache Miteigentum im Verhältnis des Wertes der Vorbehaltsware zum Wert der mitverwendeten fremden Waren.

6.3 Der Kunde ist zur Weiterveräußerung der Vorbehaltsware im ordentlichen Geschäftsgang berechtigt. Er tritt uns für diesen Fall schon jetzt alle aus der Weiterveräußerung resultierenden Forderungen ab. Wir werden diese Forderungen auf Verlangen des Kunden freigeben, soweit sie unsere Forderungen gegen den Kunden um mehr als 20% übersteigen.

7. Gewährleistung

7.1 Offensichtlich mangelhafte oder unvollständige Ware hat der Kunde unverzüglich zu rügen. Die Rüge muß spätestens 14 Tage nach Erhalt der Ware bei uns eingegangen sein. Die weitergehende Untersuchungs- und Rügepflicht von kaufmännischen Kunden richtet sich nach den gesetzlichen Vorschriften. Jede Beanstandung der Ware hat schriftlich unter Beifügung einer Rechnungskopie zu erfolgen.

7.2 Keiner Rüge bedürfen als solche gekennzeichnete Teilleistungen, zu denen wir in zumutbarem Umfang berechtigt sind. Keine Mängel sind solche Abweichungen von der verabredeten oder aus Anzeigen oder Katalogen ersichtlichen Beschaffenheit der Ware, die die Tauglichkeit zum gewöhnlichen oder vertragsgemäßen Zweck unberührt lassen oder verbessern. Entsprechende Änderungen behalten wir uns vor.

7.3 Unsere Motoren-, Tuning- und sonstige Zubehörteile werden überwiegend ohne TÜV-Gutachten geliefert und sind nur für Rennzwecke bestimmt. Die Zulässigkeit ihres Einsatzes auf öffentlichen Straßen gehört nicht zur vertragsgemäßen Beschaffenheit.

7.4 Die Gewährleistung für gelieferte Ware ist nach unserer Wahl auf Nachbesserung oder Ersatzlieferung beschränkt. Bei Fehlschlägen der Nachbesserung oder Ersatzlieferung kann der Kunde nach seiner Wahl, Herabsetzung der Vergütung oder Rückgängigmachung des Vertrags verlangen. Wir sind zu mindestens zwei Nachbesserungsversuchen berechtigt.

7.5 Beruht der aufgetretene Mangel auf unsachgemäßer Behandlung, Reparaturversuchen, Beschädigungen oder sonstigen Veränderungen der Ware durch den Kunden selbst oder Dritte, bestehen keine Gewährleistungsverpflichtung. Es entfällt insbesondere jeder Gewährleistungsanspruch des Kunden, wenn die der Ware beigefügte Einbauanleitung nicht genau befolgt wird.

7.6 Bei Auftragsarbeiten nach Kundenvorgabe leisten wir nur für handwerklich ordnungsgemäße Ausführung Gewähr. Das Risiko technisch bedingter Funktions- oder Haltbarkeitsmängel trägt der Kunde.

7.7 Stellen wir bei einer Beanstandung fest, daß wir nicht gewährleistungspflichtig sind, können wir vom Kunden für angefallenen Material- und Zeitaufwand eine angemessene Vergütung verlangen.

7.8 Die Gewährleistungszeit beträgt sechs Monate.

8. Haftung

8.1 Vertragliche vorvertragliche und außervertragliche Schadensersatzansprüche- unter Ausnahme von Ansprüchen wegen Fehlens zugesicherter Eigenschaften- sind ausgeschlossen, soweit wir den Schaden nicht vorsätzlich oder grob fahrlässig verursacht haben.

8.2 Bei Fehlen zugesicherter Eigenschaften haften wir nicht für Folgeschäden, es sei denn, die Zusicherung sollte gerade vor dem Eintritt solcher Folgeschäden schützen.

8.3 Darüberhinaus ist unsere Haftung gegenüber Kaufleuten auf den nach Grund und Höhe vorhersehbaren, vertragstypischen Durchschnittsschaden bis zum Zehnfachen des Kaufpreises b.z.w. Werklohns begrenzt, wenn uns nicht der Kunde vor Vertragsschluß schriftlich auf außergewöhnliche Schadensrisiken hingewiesen hat und wir schriftlich die Übernahme dieser Risiken erklärt haben.

8.4 Wir haften nicht für Schäden, die auf einer Nichtbeachtung der Einbauanleitung (Ziffer 7.5) oder auf der Befolgung von Kundenvorgaben (Ziffer 7.6) beruhen.

9. Schlußbestimmungen

9.1 Erfüllungsort ist 79576 Weil am Rhein. Bei Geschäften mit Vollkaufleuten, juristischen Personen des öffentlichen Rechts oder öffentlichrechtlichen Sondervermögen ist Gerichtsstand für alle im Zusammenhang mit diesem Vertrag entstehenden Rechtsstreitigkeiten 79576 Weil. Das gleiche gilt, wenn der Wohnsitz oder gewöhnliche Aufenthalt des Kunden im Zeitpunkt der Klageerhebung unbekannt ist oder sich im Ausland befindet.

9.2 Dieser Vertrag untersteht deutschem Recht. EKG und UN Kaufrecht finden keine Anwendung.

9.3 Sollten einzelne Bestandteile dieses Vertrags unwirksam sein oder werden, berührt dies nicht die Wirksamkeit des übrigen Vertrags.

GENERAL TERMS AND CONDITIONS

of contracts with Wössner GmbH · Im Wörth 21 · 79576 Weil am Rhein/Märkt



1. General

All offers, deliveries, repairs and other services are exclusively rendered on the basis of the following conditions. The applicability of contractual partners' conflicting terms and conditions is herewith denied. Deviations from these terms and conditions have effect only if they are confirmed by us in writing. All other alterations, requested or implied, remain invalid. These Terms and Conditions supersede all previous Terms and Conditions

2. Contract-execution and Content

2.1 All offers are subject to confirmation within three weeks and are non-binding.
2.2 Subsidiary agreements, restrictions, alterations or additions to contracts must be made and accepted in writing.

3. Prices and Terms of Payment

3.1 All prices exclude postage and packing.
Offers are made based upon current costs. Should, between acceptance of an order and delivery date, an unexpected rise in costs occur, we reserve the right to raise our wholesale prices accordingly. The same applies to retail prices only when the delivery date is more than four months after the order was confirmed. An increase in price on a retail contract is restricted to three percent of the original sum.
3.2 Only written estimates will be considered to be binding. Should we not receive a contract following an estimate we reserve the right to request an appropriate fee for this service.
3.3 Payment, in Euro, is due in full within one week of the billing date.
3.4 For delivery contracts we reserve the right to request payment in advance or cash on delivery.
3.5 The purchaser is only entitled to an account credit in the event of an unchallenged and legally upheld counter claim. Right of retention claims must be based upon such claims.
3.6 We reserve the right to off-set payments against outstanding debts in accordance with §§ 367 Abs. 1, 366 Abs. 2 BGB
3.7 In the event of delay or default in payment we reserve the right to charge interest at a rate of two percent above the base rate as defined by the Deutsche Bundesbank.

4. Delivery Dates and Appointments

4.1 Delivery dates and working schedules are only binding when agreed in writing.
4.2 In the event that we are unable to meet a delivery date, the customer is entitled to set a new delivery date, at least three weeks after the expiry of the original deadline. Only if this second deadline is reached without the delivery taking place is the customer entitled to withdraw from the agreement. The setting of deadlines and the withdrawal from agreements must take place in writing.
4.3 Force Majeure – events beyond our control, such as, but not restricted to, acts of God, industrial action and state intervention, that hinder us or our suppliers in the completion of our work may lead to an extension of the previously agreed delivery times. Should such events render completion of a contract impossible or the altered conditions unacceptable then either party is entitled, in writing, to withdraw from the agreement. There arises no entitlement to compensation

5. Transfer of Responsibility

5.1 We are not liable for loss or damage in transport. Responsibility passes to the customer as the goods are collected or leave our premises. If dispatch is delayed due to events beyond our control then responsibility passes to the customer with the notification of transport readiness. An insurance to cover possible damage or loss during transportation can be arranged on request. The cost of the insurance is the responsibility of the customer.
5.2 Responsibility for goods in transit to us remains with the customer.

6. Reservation of Title – Transfer of Ownership

6.1 The finished goods remain completely the property of Wössner GmbH until such time as all outstanding balances due to us have been paid. In the case of wholesale partners this clause also applies to future balances.
6.2 If our sole ownership of the goods becomes void through amalgamation or modification, then we receive a proportional ownership of the new retained goods based upon the value of its constituent parts.
6.3 The customer is entitled to process and sell the retained goods in the due course of his business. Any and all resulting income is payable to Wössner GmbH. Following a specific request from our customer we are willing to release them from this demand in so far as their income is more than twenty percent over our price.

7. Guarantee

7.1 Receipt of obviously faulty or incomplete goods must be immediately registered at Wössner GmbH. Notification must reach us within fourteen days of receipt of the goods. The extent of any further testing and the necessity of any further notification, in the case of trade customers, are legally governed. Any complaints concerning the goods must be forwarded in writing together with a copy of the relevant invoice.
7.2 We reserve the right to dispatch part orders in appropriate circumstances. These will be clearly marked as such and require no notification of missing components. Deviations from agreed or advertised properties of a product that either improve or do not influence its normal or planned usage are not considered to be defects. We reserve the right to make such alterations.
7.3 Our motor parts, tuning instruments and other accessories are generally delivered without TÜV testing and are only for use in specialised racing vehicles. Licensing for use on normal road vehicles is not part of any agreement.
7.4 Our guarantee is limited to repair or replacement of the delivered goods. In the event of a further problem after repair or replacement the customer may choose between an appropriate reduction in price or return of the goods and a refund. We reserve the right to two attempts to improve the original merchandise before further action is taken.
7.5 Faults directly or indirectly attributable to inappropriate handling, attempted repair, inflicted damage or other alterations to the goods carried out by the customer or a third party are not covered by our guarantee. The guarantee becomes void should the customer not follow exactly the instructions contained within the included Installation Manual.
7.6 For special constructions based upon designs provided by the customer, our guarantee is restricted to the quality of the construction work carried out. All risks relating to technical specification, function and endurance are carried by the customer.
7.7 Should we discover in the course of a complaints procedure that our guarantee is void, we reserve the right to charge the customer an appropriate fee for time and material costs.
7.8 The guarantee period is six months.

8. Liability

8.1 Except for instances of gross negligence or intentional malpractice, compensation claims arising from positive violation of claims, breach of duty prior to contract (culpa in contrahendo) and from tort are excluded in all instances except those arising from claims based faulty goods.
8.2 In cases of faulty merchandise liability is excluded for direct and consequential damage which occurs after the defect should reasonably have been identified.
8.3 Furthermore the amount of compensation for cases involving wholesale transactions is, based upon the foreseeable average damage for this nature of contract, limited to ten times the price of the article or, in the case of modifications, ten times the works costs. Instances involving exceptional risk factors must be registered pre-contract. Liability beyond the limits outlined within this contract will only be accepted if agreed in writing in advance.
8.4 Liability claims based upon a failure to follow the Installation instructions (Paragraph 7.5) or based upon damage caused as a result of an explicit customer request (Paragraph 7.6) are excluded.

9. Final Provisions

9.1 The place of fulfilment of this contract is 79576 Weil am Rhein, Germany. Insofar as the customer is a registered businessman within the bounds of the German Commercial Code, a legal entity under public law or a Special Fund under public law, the exclusive place of jurisdiction for all disputes arising directly or indirectly from the contractual relationship is 79576 Weil am Rhein. The current or usual place of residence of the plaintiff is immaterial.
9.2 German law is applicable to these General Terms and Conditions and to the entire legal relations between us and the customer. Uniform Sales Law and the United Nations Convention on Contracts for the International Sale of Goods have no jurisdiction. The German version of these terms and Conditions (Allgemeine Geschäftsbedingungen) are binding in content.
9.3 In the event that a condition in these General Terms and Conditions or a Provision under the structure of other agreements is, or will become invalid, this does not affect the validity of all other conditions or agreements.



Our location in Germany



Wössner GmbH

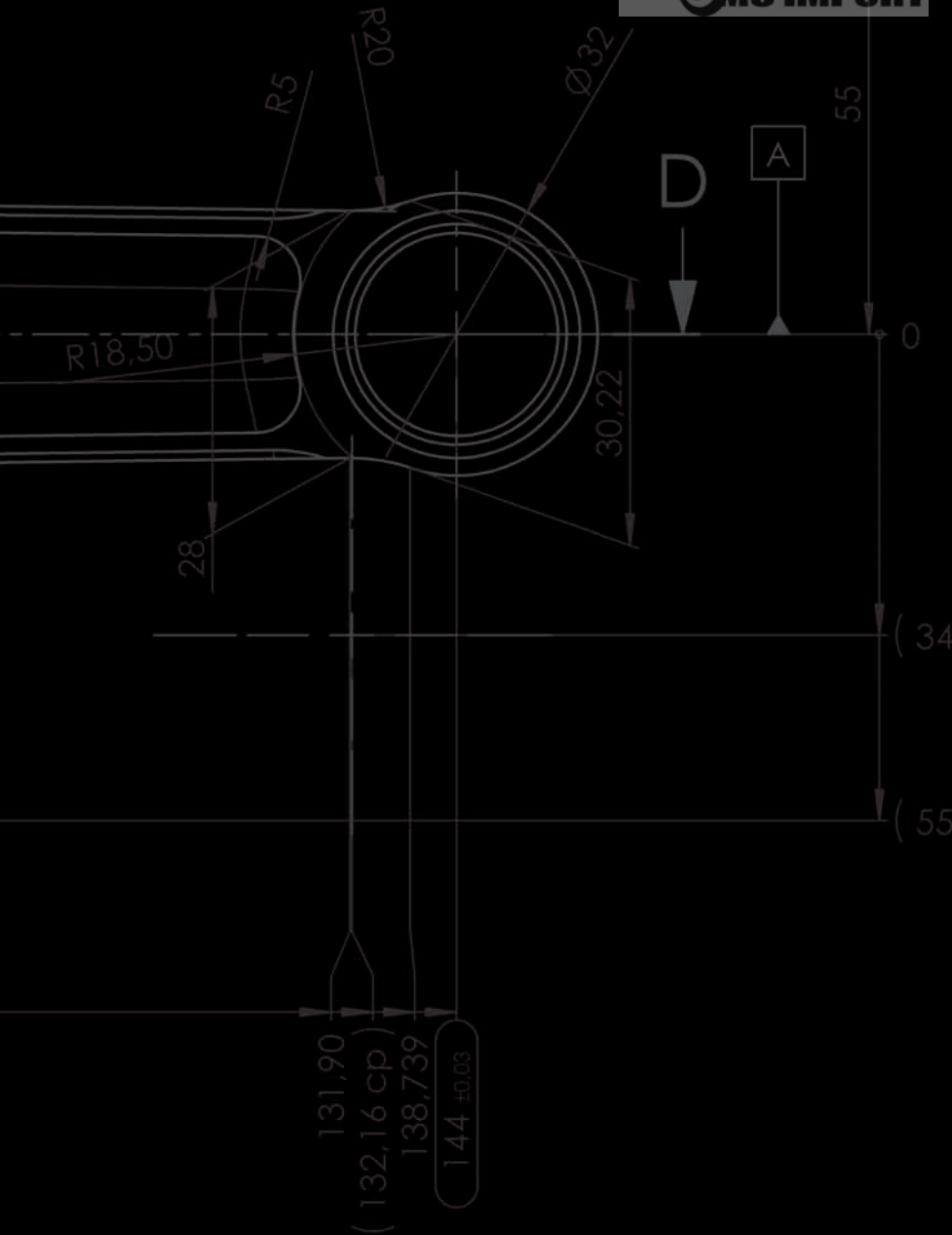
Im Wörth 21
D-79576 Weil am Rhein/Markt
Tel. +49 (0) 7621 95 66 49-0
Fax +49 (0) 7621 95 66 49-25
info@woessner-kolben.de
www.woessner-kolben.de

GEWÄHRLEISTUNGEN

Aufgrund der Natur leistungsstarker Motoren werden die Teile in diesen Sets ohne jegliche vertragliche oder gesetzliche Gewährleistung, insbesondere der Gewährleistung für die Verkaufsfähigkeit oder Eignung für einen bestimmten Zweck, verkauft. Die Wössner GmbH kann nicht, unter keinen Umständen, für spezielle oder zufällige Schäden, sowie Folgeschäden haftbar gemacht werden, dies beinhaltet, ist aber nicht darauf beschränkt, Beschädigung, Umsatzverlust, die Kosten für erworbene Teile oder Ersatzteile, weitergehende Forderungen der Kunden des Käufers, die aus dem Kauf hervorgehen und /oder ein Ergebnis dieser sind. Der Einbau dieser Teile kann die Herstellergarantie für das Fahrzeug negativ beeinflussen. Kolben sind für Rennsport-Zwecke zu verwenden.

WARRANTY DISCLAIMER

Due to the nature of performance applications, the parts in this kit are sold without any express warranty or any implied warranty of merchantability or fitness for a particular purpose. Wössner GmbH shall not, under any circumstances, be liable for any special, incidental or consequential damages, including, but not limited to damage, or loss of profits or revenue, cost of purchased or replacement goods, or claims of customers of the purchaser, which may arise and / or result from sale, installation or use of these parts. Installation of these parts could adversely affect the vehicle manufacturer's warranty co-verage. Pistons are usable for racing.



Headquarters

Wössner GmbH
Im Wörth 21
D-79576 Weil am Rhein/Märkt
Tel. +49 (0) 7621 95 66 49-0
Fax +49 (0) 7621 95 66 49-25
info@woessner-kolben.de
www.woessner-kolben.de